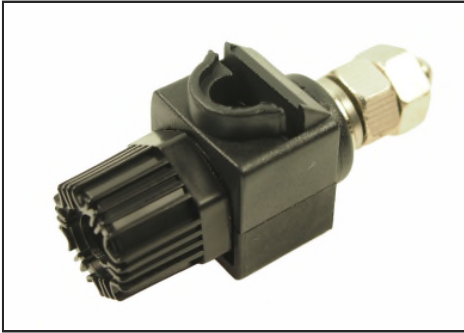
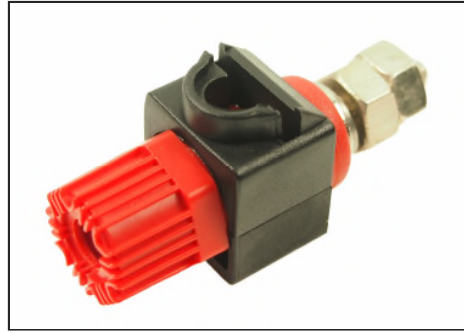


CLIFF

60A. TERMINAL TP60V



CL159825BA
TP60VS TERMINAL BLACK



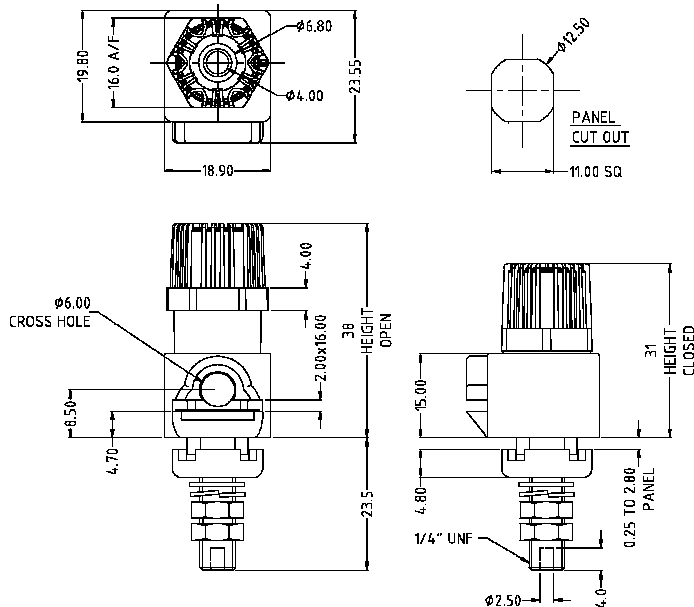
CL159825RA
TP60VS TERMINAL RED



CL159830CBA
TP60VSG TERMINAL CLEAR BLACK



CL159830CRA
TP60VSG TERMINAL CLEAR RED



Maximum current: 60A.
Contact resistance: Nickel <math><30\text{m}\Omega</math>
Gold <math><20\text{m}\Omega</math>
Temperature rating: -20°C to $+80^{\circ}\text{C}$

For further information, contact: sales@cliffuk.co.uk

Cliff Electronic Components Limited,
76 Holmethorpe Avenue, Holmethorpe Ind. Estate,
Redhill, Surrey RH1 2PF U.K.
Tel: +44 (0)1737 771375 Fax: +44 (0)1737 766012



Visit us online at:

www.cliffuk.co.uk

