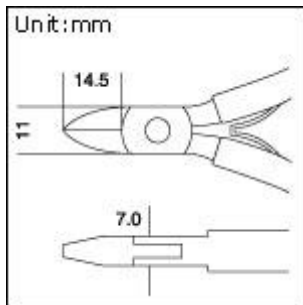


## 1PK-20 Semi-Flush Side Cutter (110mm)



- Made of stainless steel with mirror polished finish
- Leaf springs are spot welded to the tool handles to fix the jaws in a comfortable position
- Forged box joint construction gives strength and precision

### **Specification**



Material	HRC	Application	OAL.	Individual packing
AISI 420	45° ±3°	Hard steel: 0.8mm Soft steel: 1.3mm Copper: 2.0mm	110mm	Blister card