

# IEC Inlet Filters FN 9290

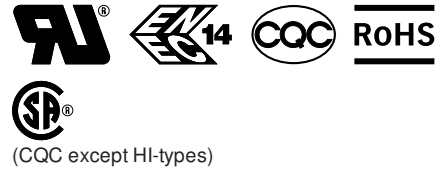
**SCHAFFNER**  
energy efficiency and reliability

## Ultra Compact and Versatile Filtered Power Entry Module



- Dual stage filter
- Ultra compact design
- Rated currents up to 10A
- Dual fuse holder
- 2-pole rocker switch
- Good attenuation performance
- Faston or spring cage terminals

### Approvals



### Technical specifications

|  |  |
|--|--|
| Design corresponding to:                   | UL 1283, CSA 22.2 No. 8 1986, EN60939, EN60950, EN60601-1, UL544, EN60320  |
| Electrical specifications:                 | Inrush current 82A<br>6,000 on-off operations according to UL 1054<br>10,000 on-off operations according to ENEC |
| Flammability corresponding to:             | UL 94V-2 or better   |
| Fuse holder:                               | 2fuses (Ø5 x 20mm) max. 250V   |
| High potential test voltage:               | P → PE 2000VAC for 2 sec (standard types)<br>P → PE 2500VAC for 2 sec (B types)<br>P → N 760VAC for 2 sec        |
| Leakage current:                           | Standard: <500uA at 250VAC/50 Hz<br>Medical: <5uA at 250VAC/50 Hz  |
| Maximum continuous operating voltage:      | 250VAC, 50/60Hz  |
| Mechanical life:                           | 50,000 cycles  |
| MTBF @ 40°C/230V (Mil-HB-217F):            | > 1,000,000 hours  |
| Operating frequency:                       | 50 to 400Hz  |
| Protection category:                       | IP40 according to IEC 60529 (front side)   |
| Rated currents:                            | 1 to 10 A* @ 40°C max.   |
| Rocker switch:                             | 2-pole, dark not illuminated, Marking I - 0  |
| Spring cage wire range:                    | 0.2 – 1.5 mm <sup>2</sup> / 24 – 16 AWG single or flexible wire  |
| Switch ratings:                            |  |
| USA (UL) and Canada (C-UL):                | 10A, 125VAC; 10A, 250VAC; 1/3HP  |
| Europe (ENEC):                             | 10A (4A), 250VAC**   |
| Temperature range (operation and storage): | – 25°C to +85°C (25/85/21)   |
| Terminals:                                 | IP20 spring cage safe against finger touch   |

\* 10A version is 8A UL approved, \*\* Value in () relates to the inductive current charge:  $\cos \gamma = 0.65$

Choosing FN 9280/90 product line brings you the rapid availability of a standard filter associated with the necessary safety acceptances and a high attenuation performance. For higher attenuation performance the FN 9290 family with a dual stage filter and identical panel cut-out can be used.

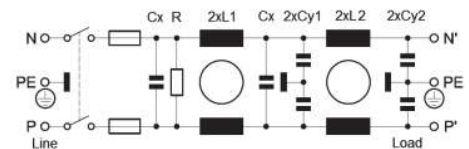
Standard IEC connector filters are a practical solution to pass EMI system approval in a short time. A wide selection of amperage ratings, mounting possibilities and also filters for medical applications are designed to offer you the best solution.

### Features and benefits

- Good conducted attenuation performance, based on chokes with high saturation resistance and excellent thermal behavior
- Deep-drawn iron-sheet housing for best possible shielding against magnetic fields
- Rear/front flange mounting or snap-in versions
- Dual fuse holder
- 2-pole rocker switch
- Faston or spring cage terminals for more flexible assembly
- Medical version (B Type) according IEC / EN60601-1
- Spare fuse holder

### Typical electrical schematic



FN 9290 Standard types (B types without Cy)



### Typical applications

- Portable electrical and electronic equipment
- Consumer goods
- EDP and office equipment
- Single-phase power supplies, switch-mode power supplies
- Test and measurement equipment
- Medical electrical devices (MD) and *In-Vitro* Diagnostics (IVD) equipment

## Filter selection table

| Filter*        | Rated current | Leakage current** | Inductance |      | Capacitance |      |        | Resistance  | Output connections  |      | Weight |
|----------------|---------------|-------------------|------------|------|-------------|------|--------|---|---|------|--------|
|                | @ 40 °C       | @ 250V ~/50Hz     | L1         | L2   | Cx          | Cy1  | Cy2    | R   |   |      |        |
|                | [A]           | [uA]              | [mH]       |      |             | [nF] | [kOhm] |  |  | [g]  |        |
| FN 9290-1-..   | 1             | 311               | 10.9       | 10.9 | 220         | 1.5  | 0.47   | 1000  | -06   | -100 | 147    |
| FN 9290-2-..   | 2             | 311               | 4.4        | 4.4  | 220         | 1.5  | 0.47   | 1000  | -06   | -100 | 148    |
| FN 9290-4-..   | 4             | 311               | 1.7        | 1.7  | 220         | 1.5  | 0.47   | 1000  | -06   | -100 | 148    |
| FN 9290-6-..   | 6             | 311               | 0.78       | 0.78 | 220         | 1.5  | 0.47   | 1000  | -06   | -100 | 153    |
| FN 9290-10-..  | 10            | 311               | 0.32       | 0.32 | 220         | 1.5  | 0.47   | 1000  | -06   | -100 | 154    |
| FN 9290B-1-..  | 1             | 2                 | 10.9       | 10.9 | 220         | 0    | 0      | 1000  | -06   | -100 | 147    |
| FN 9290B-2-..  | 2             | 2                 | 4.4        | 4.4  | 220         | 0    | 0      | 1000  | -06   | -100 | 148    |
| FN 9290B-4-..  | 4             | 2                 | 1.7        | 1.7  | 220         | 0    | 0      | 1000  | -06   | -100 | 148    |
| FN 9290B-6-..  | 6             | 2                 | 0.78       | 0.78 | 220         | 0    | 0      | 1000  | -06   | -100 | 153    |
| FN 9290B-10-.. | 10            | 2                 | 0.32       | 0.32 | 220         | 0    | 0      | 1000  | -06   | -100 | 154    |
| FN 9299-1-..   | 1             | 311               | 10.9       | 10.9 | 220         | 1.5  | 0.47   | 1000  | -06   | -100 | 147    |
| FN 9299-2-..   | 2             | 311               | 4.4        | 4.4  | 220         | 1.5  | 0.47   | 1000  | -06   | -100 | 148    |
| FN 9299-4-..   | 4             | 311               | 1.7        | 1.7  | 220         | 1.5  | 0.47   | 1000  | -06   | -100 | 148    |
| FN 9299-6-..   | 6             | 311               | 0.78       | 0.78 | 220         | 1.5  | 0.47   | 1000  | -06   | -100 | 153    |
| FN 9299-10-..  | 10            | 311               | 0.32       | 0.32 | 220         | 1.5  | 0.47   | 1000  | -06   | -100 | 154    |
| FN 9299B-1-..  | 1             | 2                 | 10.9       | 10.9 | 220         | 0    | 0      | 1000  | -06   | -100 | 147    |
| FN 9299B-2-..  | 2             | 2                 | 4.4        | 4.4  | 220         | 0    | 0      | 1000  | -06   | -100 | 148    |
| FN 9299B-4-..  | 4             | 2                 | 1.7        | 1.7  | 220         | 0    | 0      | 1000  | -06   | -100 | 148    |
| FN 9299B-6-..  | 6             | 2                 | 0.78       | 0.78 | 220         | 0    | 0      | 1000  | -06   | -100 | 153    |
| FN 9299B-10-.. | 10            | 2                 | 0.32       | 0.32 | 220         | 0    | 0      | 1000  | -06   | -100 | 154    |

\* To compile a complete part number, please replace the .. with the required output connection style (e.g. FN 9289-1-06, FN 9282-4-100)

\*\* Maximum leakage current under normal conditions according to IEC 60939-1 Ed. 3 at 250V AC.

## Product selector:

FN 92www-xx-yy-zz

- Blank: Snap in range 1.0 to 2.5 mm  
Optional: 30: Snap in range >2.5 to 3.5 mm
- 06: Fast-On 6.3 x 0.8 mm (spade/soldering)  
100: Spring cage
- 1 to 10: Rated current [A]
- Blank: Standard version  
B: Medical version (without Y2-capacitor)  
Optional: E: Earth line choke  
BE: Medical version (without YZ-capacitor) with earth line choke
- 0: Flange version vertical/horizontal/front/rear mounting set  
9: Snap-in version, snapper on horizontal side (top / bottom)  
Optional: 1: Rear Flange mounting (top / bottom)  
2: Front Flange mounting (top / bottom)  
3: Rear Flange mounting (left / right)  
4: Front Flange mounting (left / right)  
8: Snap-in version, snapper on vertical side (left / right)
- 8: Single stage filter  
9: Dual stage filter

All FN 9280/FN 9290 are equipped with a dual fuse holder with a spare fuse holder.

**Note: All FN 9280/FN 9280B/FN 9289/FN 9289B/FN 9290/FN 9290B/FN 9299/FN 9299B are stock types from our distribution partners.**

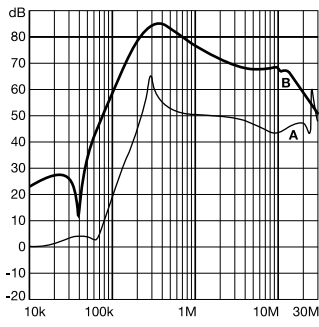
Order Examples:

FN 9280B-6-100: Medical version of single stage, dual fuse EMC/EMI filter, flange set for vertical/horizontal/front/rear mounting, 6A, spring cage terminals, from stock available.

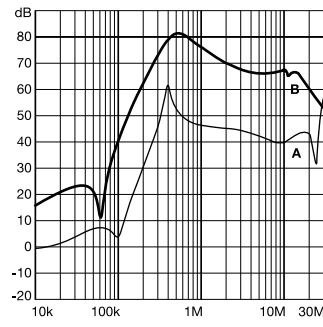
FN 9298-6-06-30: Dual stage, dual fuse EMC/EMI filter, snap-in version, snappers for snap-in panel thickness range >2.5 to 3.5 mm, snapper on vertical side, 6A, fast-on terminals, non-stock order type

**FN 9290 Series | Typical filter attenuation | Per CISPR 17; A = 50Ω/50Ω sym; B = 50Ω/50Ω asym**

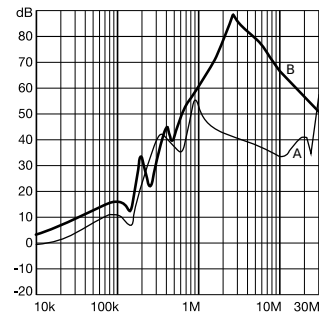
1A types



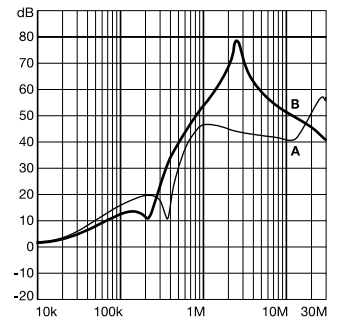
2A types



4 – 6A types

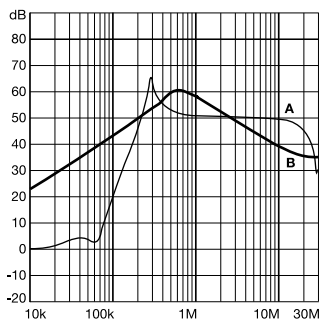


10A types

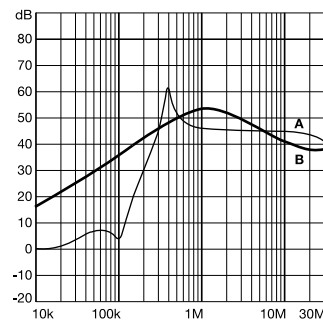


**FN 9290B Series | Typical filter attenuation | Per CISPR 17; A = 50Ω/50Ω sym; B = 50Ω/50Ω asym**

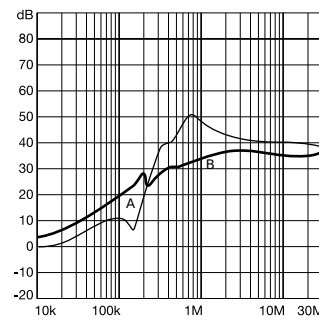
1A types



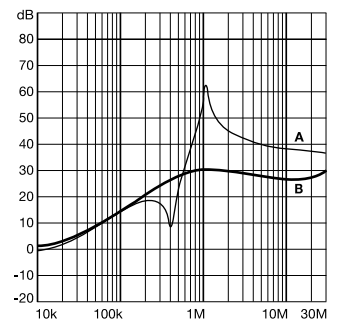
2A types



4 – 6A types

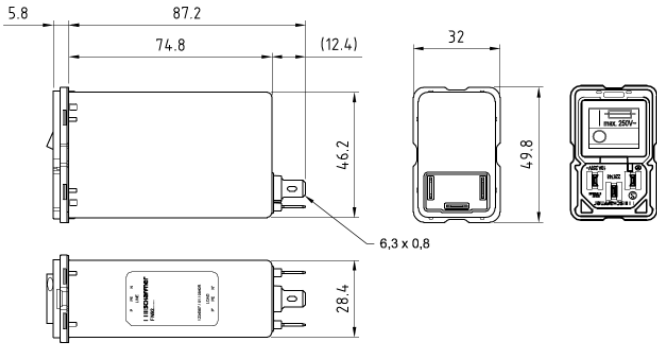


10A types

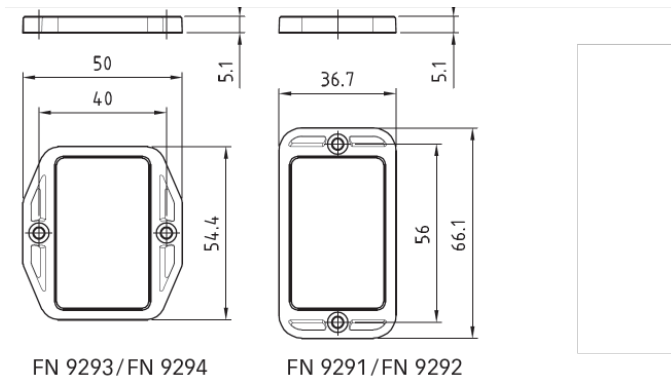
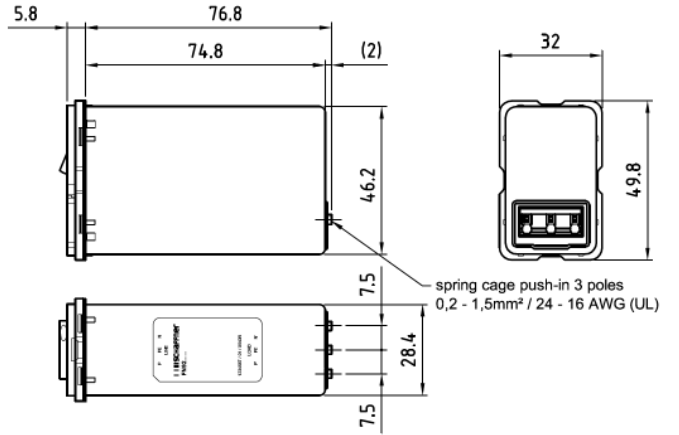


**Mechanical Data:**

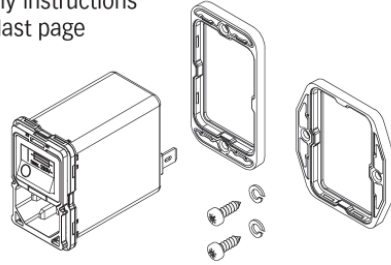
FN 9290-x-06 / FN 9290B-x-06 / FN 9280E-x-06 / FN 9280BE-x-06:



FN 9290-x-100 / FN 9290B-x-100 / FN 9280E-x-100 / FN 9280BE-x-100:

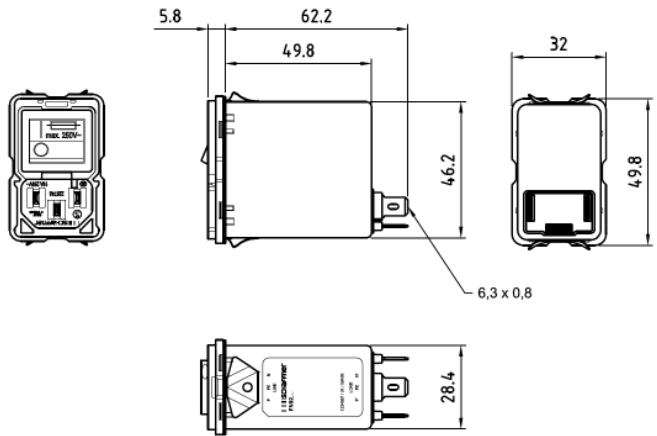


assembly instructions  
see on last page

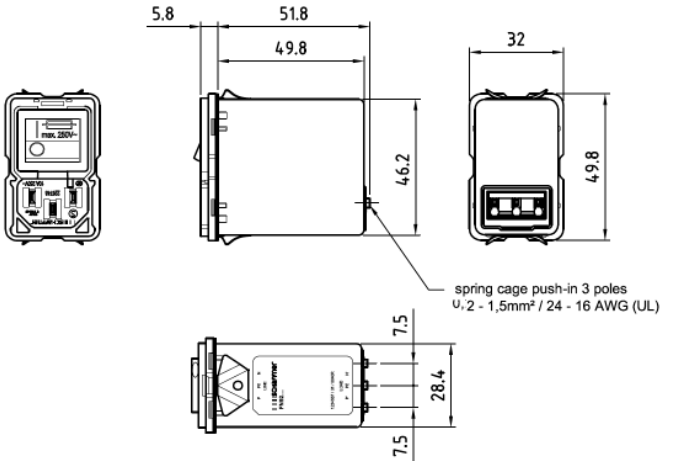


Dimensions (mm)

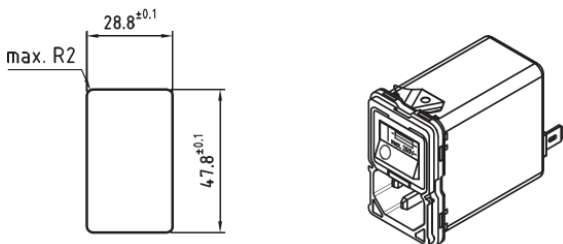
FN 9299-x-06 / FN 9299B-x-06 / FN 9289E-x-06 / FN 9889BE-x-06:



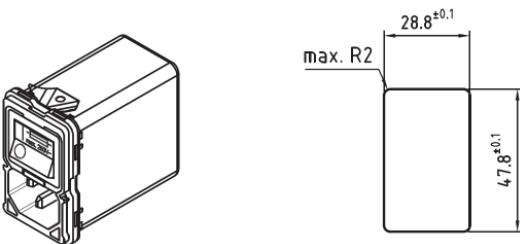
FN 9299-x-100 / FN 9299B-x-100 / FN 9289E-x-100 / FN 9289BE-x-100:



Panel cutout:

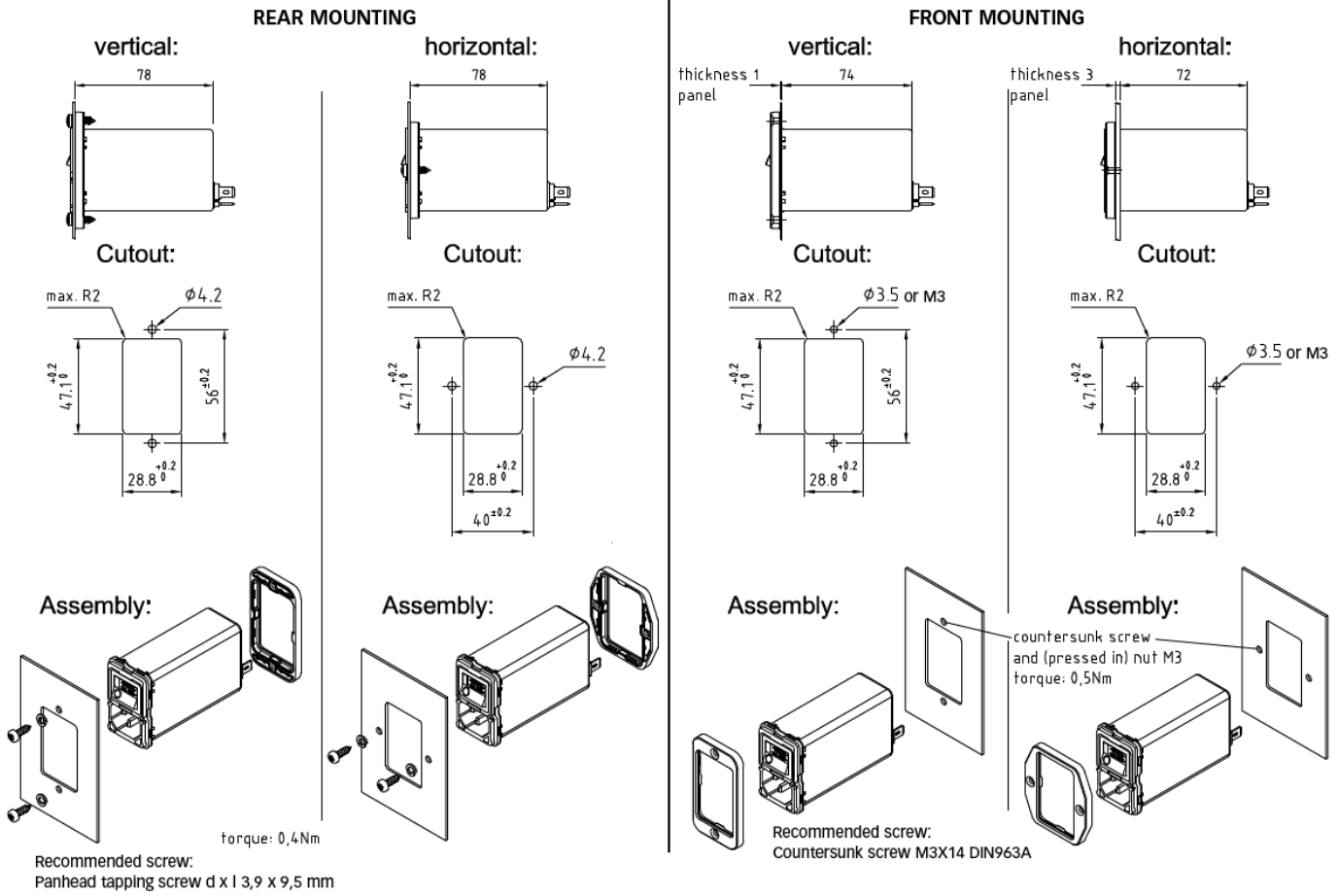


Panel cutout:



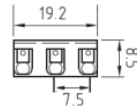
Dimensions (mm)

**Assembly Instructions:**



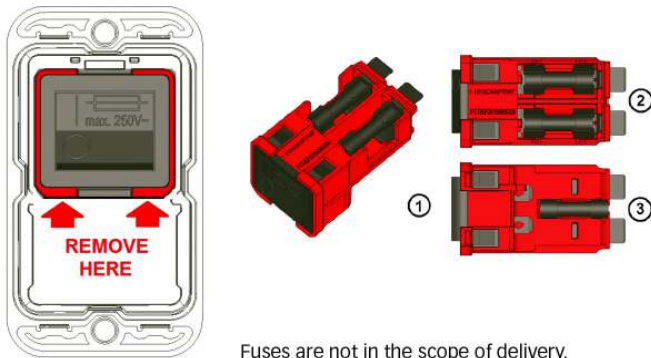
**Terminal -100**

|  |  |
|--|--|
| clamping range, solid wire / flex wire | 0,20 mm <sup>2</sup> – 1,5 mm <sup>2</sup> , AWG24 – AWG16 |
| operating force of slider              | max. 40N   |
| recommended stripped length            | 8mm  |



Push the knob above the terminal to insert the wire.

**Removal of the combined switch / fuse holder unit**



An additional fuse mark on the switch indicates the fuses holders behind the switch. The red frame shows the outline of the removable unit.

With a simple tool like a Swiss Army knife or a screwdriver No 1 or smaller the unit (1) can be removed from the filter. On the topside (2) behind the switch there are two fuse holders for each live connection. On the bottom side (3) is a clip to carry an additional spare fuse.

**Headquarters, global innovation  
and development center**

**Schaffner Group**

Nordstrasse 11  
4542 Luterbach  
Switzerland  
T +41 32 681 66 26  
F +41 32 681 66 30  
info@schaffner.com  
www.schaffner.com

To find your local partner within  
Schaffner's global network, please go  
to [www.schaffner.com](http://www.schaffner.com)

© 2012 Schaffner Group  
Specifications are subject to change  
without notice. The latest version of the  
data sheets can be obtained from the  
website. All trademarks recognized.

Schaffner is an ISO-registered  
company.

Its products are designed and  
manufactured under the strict quality  
and environmental requirements of  
the ISO 9001 and ISO 14001  
standards.

This document has been carefully  
checked. However, Schaffner does not  
assume any liability for errors or  
inaccuracies.

**Sales and application centers**

**China**

**Schaffner EMC Ltd. Shanghai**  
T20-3, No 565 Chuangye Road  
Pudong New Area  
201201 Shanghai  
T +86 21 3813 9500  
F F +86 21 3813 9501 / 02  
[cschina@schaffner.com](mailto:cschina@schaffner.com)  
<http://www.schaffner.com.cn/>

**Finland**

**Schaffner Oy**  
Sauvonrinne 19 H  
08500 Lohja  
T +358 19 35 72 71  
[finlandsales@schaffner.com](mailto:finlandsales@schaffner.com)

**France**

**Schaffner EMC S.A.S.**  
112, Quai de Bezons  
Boîte postale 133  
95103 Argenteuil  
T +33 1 34 34 30 60  
F +33 1 39 47 02 28  
[francesales@schaffner.com](mailto:francesales@schaffner.com)

**Germany**

**Schaffner Deutschland GmbH**  
Westring 18  
33142 Büren  
T +49 2951 60 01 0  
F +49 2951 60 01 23  
[buerensales@schaffner.com](mailto:buerensales@schaffner.com)

**Italy**

**Schaffner EMC S.r.l.**  
Via Galileo Galilei 47  
20092 Cinisello Balsamo (MI)  
T +39 02 66 04 30 45/47  
F +39 02 61 23 943  
[italysales@schaffner.com](mailto:italysales@schaffner.com)

**Japan**

**Schaffner EMC K.K.**  
1-32-12, Kamiyama, Setagaya-ku  
7F Mitsui-seimei Sangenjaya Bldg.  
154-0011 Tokyo  
T +81 3 5712 3650  
F +81 3 5712 3651  
[japansales@schaffner.com](mailto:japansales@schaffner.com)  
<http://www.schaffner.jp>

**Singapore**

**Schaffner EMC Pte Ltd.**  
Blk 3015A Ubi Road 1  
05-09 Kampong Ubi Industrial Estate  
408705 Singapore  
T +65 6377 3283  
F +65 6377 3281  
[singaporesales@schaffner.com](mailto:singaporesales@schaffner.com)

**Spain**

**Schaffner EMC España**  
Calle Caléndula 93, Miniparc III, Edificio E  
El Soto de la Moraleja Alcobendas  
28109 Madrid  
T +34 618 176 133  
[spainsales@schaffner.com](mailto:spainsales@schaffner.com)

**Sweden**

**Schaffner EMC AB**  
Turebergstorg 1, 6  
19147 Sollentuna  
T +46 8 5792 1121 / 22  
F +46 8 92 96 90  
[swedensales@schaffner.com](mailto:swedensales@schaffner.com)

**Switzerland**

**Schaffner EMV AG**  
Nordstrasse 11  
4542 Luterbach  
T +41 32 6816 626  
F +41 32 6816 641  
[sales@schaffner.ch](mailto:sales@schaffner.ch)

**Taiwan R.O.C.**

**Schaffner EMV Ltd.**  
6 Floor, No. 413  
Rui Guang Road  
114 Neihu District Taipei City  
T +886 2 87525050  
F +886 2 87518086  
[taiwansales@schaffner.com](mailto:taiwansales@schaffner.com)

**Thailand**

**Schaffner EMC Co. Ltd.**  
Northern Region Industrial Estate  
67 Moo 4 Tambon Ban Klang Amphur Muangng  
P.O. Box 14  
51000 Lamphun  
T +66 53 58 11 04  
F +66 53 58 10 19  
[thailandsales@schaffner.com](mailto:thailandsales@schaffner.com)

**UK**

**Schaffner Ltd.**  
5 Ashville Way  
Molly Millars Lane Wokingham  
RG41 2PL Berkshire  
T +44 118 9770070  
F +44 118 9792969  
[uksales@schaffner.com](mailto:uksales@schaffner.com)  
<http://www.schaffner.uk.com>

**USA**

**Schaffner EMC Inc.**  
52 Mayfield Avenue  
08837 Edison  
T 1-800-367-5566  
T 732-225-9533  
F 732-225-4789  
[usasales@schaffner.com](mailto:usasales@schaffner.com)  
<http://www.schaffner.com/us>