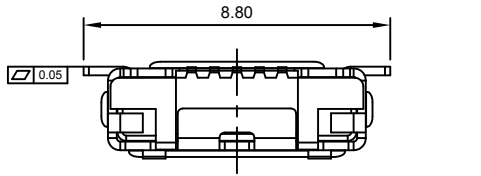
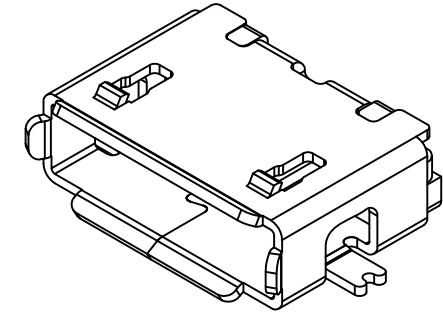
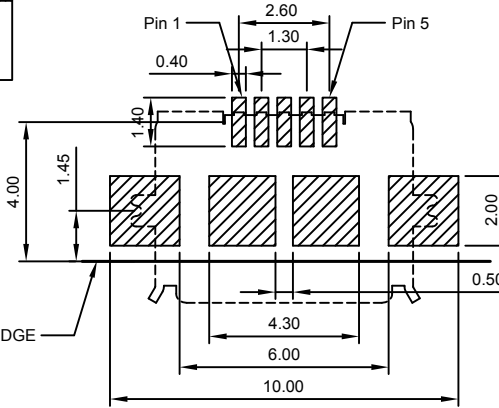
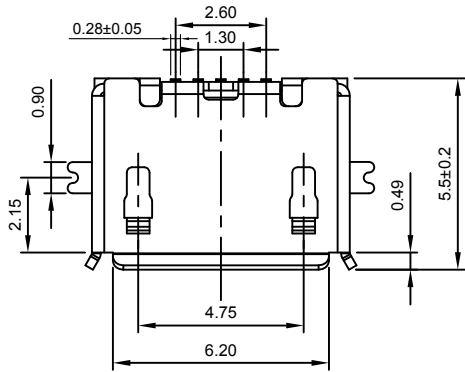
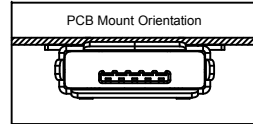


Global Connector Technology Ltd. - USB3085: Micro USB Receptacle, Type AB, Surface Mount, Horizontal, Bottom Mount (Standard), Without Peg



Designed to comply with physical, electrical and environmental requirements of Micro USB Standard (USB2.0), A/B types support USB On-The-GO (OTG) interface.



Specifications 规格:

Materials 材料:

Plastic Housing 塑胶外壳: LCP, UL94V-0, Black, LCP, UL94V-0 黑色  
 Contact Terminal 接触端子: Copper Alloy 铜合金  
 Metallic Shell 金属外壳: Stainless Steel 不锈钢 SUS 304 T = 0.25mm  $\triangle C$

Plating 电镀:

Underplating 底层电镀: 50 $\mu$ " Nickel, 50 $\mu$ " 镍  
 Finish 表面处理: Contact Area 接触面积: 30 $\mu$ " Gold plating, 30 $\mu$ " 镀金  
 Solder Tails 焊接末端: Gold Flash 镀金  
 Metallic Shell 金属外壳: Matte Tin 雾锡

Electrical 电气规格:

Voltage Rating 电压额定值: 100 V AC  
 Current Rating 电流额定值: Signal(Pins 2,3,4)信号: 1.0 A  $\triangle B$   
 Power (Pins 1,5)电源: 1.8A.  $\triangle C$   
 Operating Temperature 工作温度: -30°C to +85°C  $\triangle C$   
 Contact Resistance 接触电阻值: 30m $\Omega$  Max.  
 Insulating Resistance 绝缘电阻值: 1000M $\Omega$  Min.  
 Dielectric Withstand Voltage 耐电压: 500V AC/Minute  $\triangle C$

Mechanical 机械性规格:

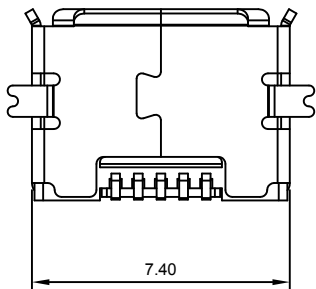
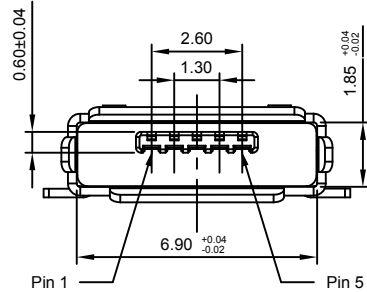
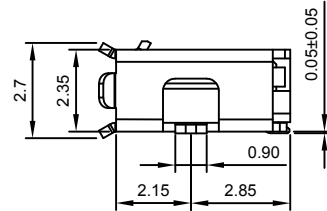
Mating Force 插入力: 35N Max.  
 Unmating Force 拔出力: 10N Min.  $\triangle C$   
 Durability 耐久性: 10,000 Cycles 次插拔

RECOMMENDED P.C.B LAYOUT

GENERAL TOLERANCE:  $\pm 0.05$

AS VIEWED FROM COMPONENT SIDE

- Solder Area
- Component Outline



Ordering Grid



Contact Plating  
 30 = 30 $\mu$ " Gold

Packing Options  
 A = Tape & Reel  
 (1.5K per Reel)

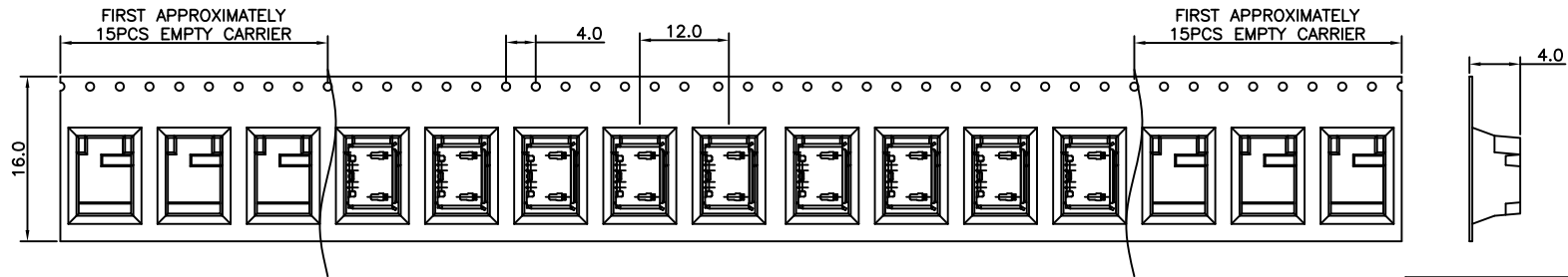
By	SA	CM	AJO	AJO
DETAIL	DRAWING RELEASE	DRAWING UPDATE	SPECIFICATION CHANGES	PACKING CHANGE
REV	A	B	C	D
DATE	04/04/11	26/10/11	06/07/12	17/09/12



Tolerances (Except as noted)		Part Number:-	Date:-
Dimensions in mm		USB3085	04 APR 11
X.X ± 0.3	X.X* ± 2°	Description:-	
X.XX ± 0.20	X.XX* ± 1°	μ USB RECEPTACLE, TYPE AB, SURFACE MOUNT, HORIZONTAL, BOTTOM MOUNT, WITHOUT PEG	
X.XXX ± 0.10	X.XXX* ± 0.5°	THIS DRAWING IS CONFIDENTIAL AND MUST NOT BE COPIED OR DISCLOSED WITHOUT WRITTEN CONSENT	
Third Angle Projection		Scale	Revision
		NTS	D
		Material	Drawn by
		See Note	SA
		E & OE	Sheet No.
			1/2

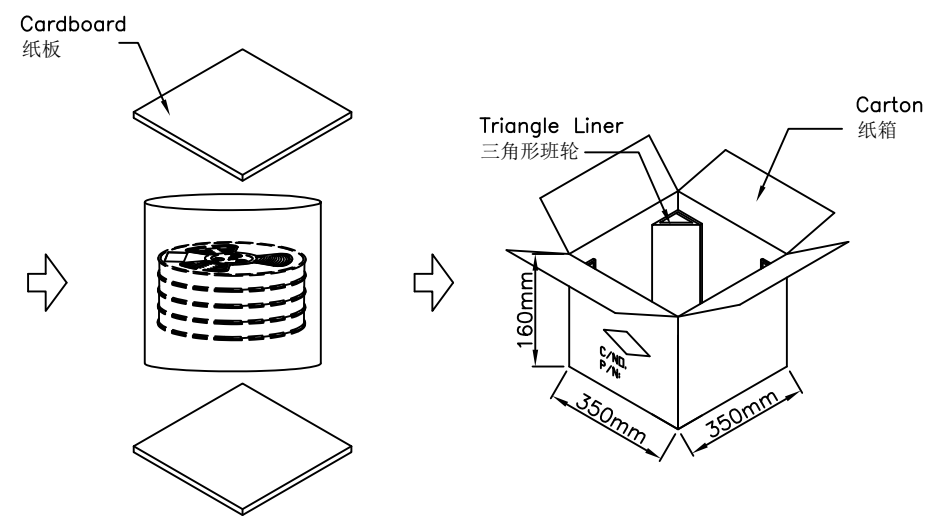
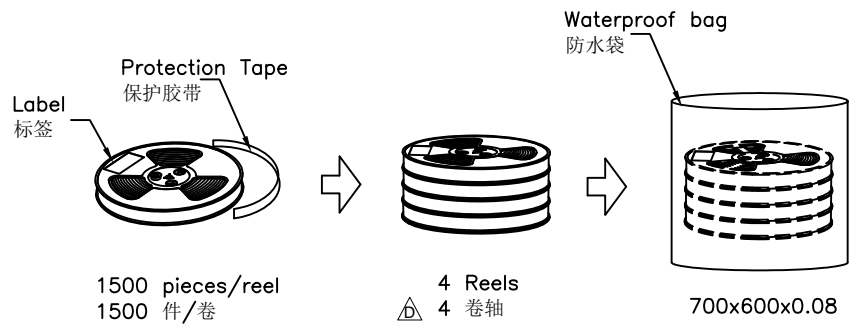
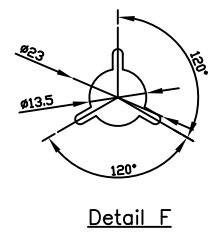
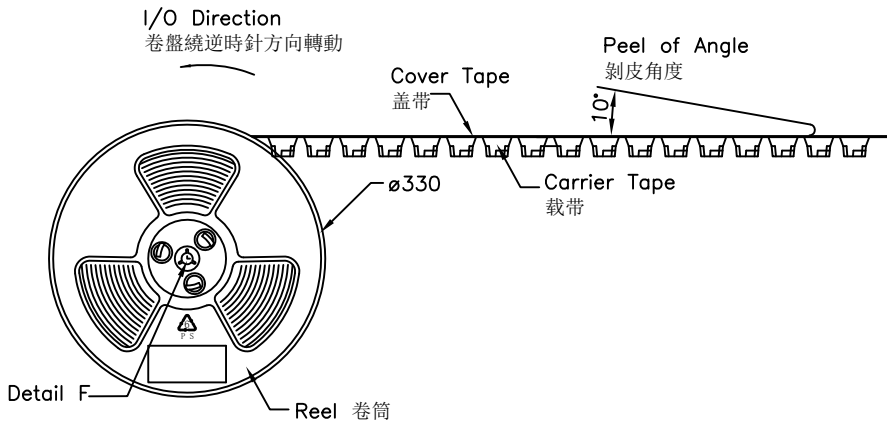
**GCT**  
 www.gct.co

Global Connector Technology Ltd. - USB3085: Micro USB Receptacle, Type AB, Surface Mount, Horizontal, Bottom Mount (Standard), without Peg



Products P/N	PCS/Reel	Reels/Carton	PCS/Carton
USB3085-30-A	1500	4	6000

- Notes 注意:
1. Peeling off force of top tape: 0.1-1.3N
  2. Part Conforms to EIA-481-C Standards 产品符合EIA-481-C标准
  3. All dimensions in millimeters 所有尺寸均是毫米
  4. 10 sprocket hole pitch cumulative tolerance±0.2mm



By	SA	CM	AJO	AJO
DETAIL	DRAWING RELEASE	DRAWING UPDATE	SPECIFICATION CHANGES	PACKING CHANGE
REV	A	B	C	D
DATE	04/04/11	26/10/11	06/07/12	17/09/12



Tolerances (Except as noted)	Part Number:-	Date:-
Dimensions in mm	USB3085	04 APR 11
	Description:-	
	μ USB RECEPTACLE, TYPE AB, SURFACE MOUNT, HORIZONTAL, BOTTOM MOUNT, WITHOUT PEG	
	THIS DRAWING IS CONFIDENTIAL AND MUST NOT BE COPIED OR DISCLOSED WITHOUT WRITTEN CONSENT	

**GCT**  
www.gct.co

Scale NTS	Revision D	Material See Note	Drawn by SA	Sheet No. 2/2
			E & OE	