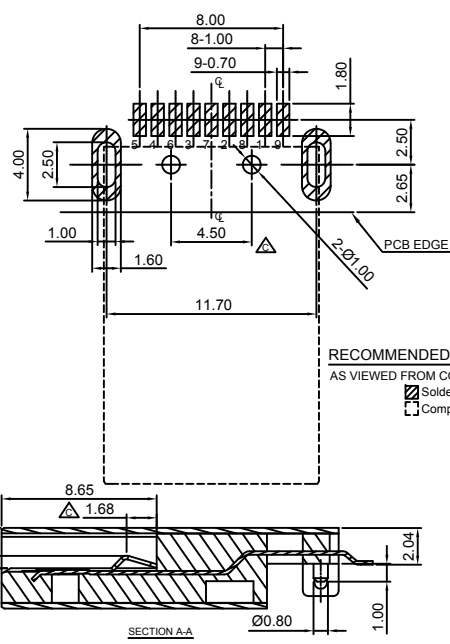
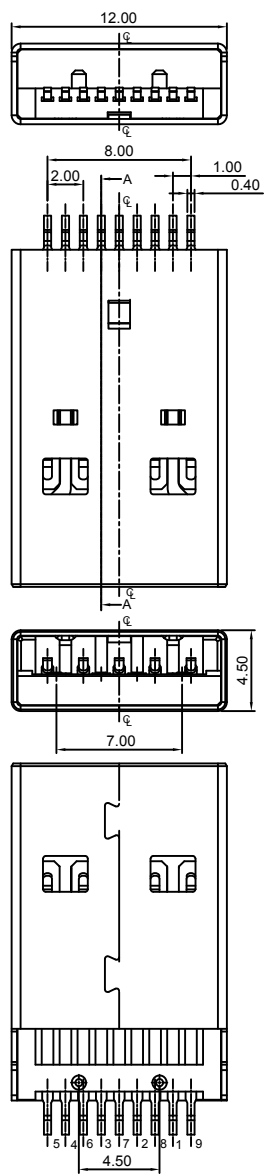
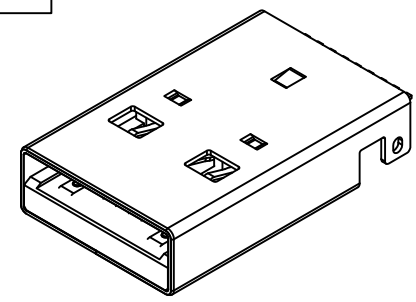


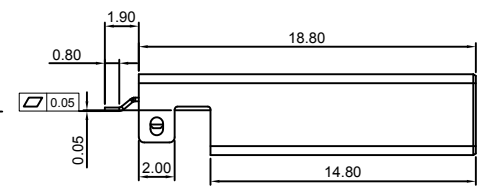
Global Connector Technology Ltd. - USB1065: USB 3.0 Plug, Type A, SMT, Horizontal, 9 Pin, Top Mount, W/Plastic Locating Pegs & Outer Shell Stakes

Designed to comply with physical, electrical and environmental requirements of full size USB Standard Compliance (USB3.0).



RECOMMENDED P.C.B LAYOUT
AS VIEWED FROM COMPONENT SIDE

- Solder Area
- Component Outline



Specifications 规格:

Materials 材料:

Plastic Housing 塑胶外壳: LCP, UL94V-0, Blue 黑色
Contact Terminal 接触端子: Copper Alloy 铜合金
Metallic Shell 金属外壳: SPCC

Finish 表面处理:

Underplating 底层电镀: Nickel
Plating 电镀:

Contact Area 接触面积: 30μ" Gold
Solder Tails 焊接末端: 100μ" min. Tin
Metallic Shell 金属外壳: Nickel

Electrical 电气规格:

Voltage Rating 电压额定值: 100 V AC
Current Rating 电流额定值:
0.25A (Signal Pins 信号引脚 2,3,5,6,7,8,9)
1.8A (Power Pins 电源引脚 1,4)
Operating Temperature 工作温度: -55°C to +85°C
Contact Resistance 接触电阻值: 30 mΩ max.
Insulating Resistance 绝缘电阻值: 1000 MΩ min.
Dielectric Withstand Voltage 耐电压: 100V AC/minute

Mechanical 机械性规格:

Mating Force 插入力: 35N max.
Unmating Force 拨出力: 10N min. initial, 8N min. after test
Durability 耐久性: 5000

Ordering Grid

USB1065 - **30** - **A**

Contact Plating
30 = 30μ" Gold

REQUEST SAMPLES AND QUOTATION

Packing Options
A = Tape & Reel
(900 per Reel)

Looking for pure SMT-without plastic peg?
Contact GCT and ask for SP-120803-001

By	ASE	ASE	ASE	ASE	AJO
DETAIL	Drawing Release	Packing Amended	Additional Dimensions	PCN: USB1065-001	PCN: USB1065-002
REV	A	B	C	D	E
DATE	09/05/11	20/02/12	16/07/12	02/05/13	09/12/13

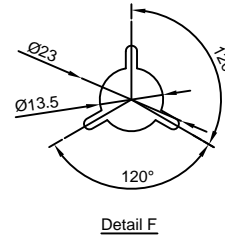
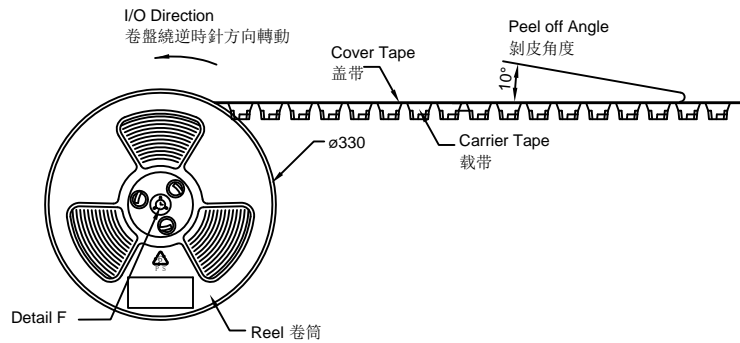
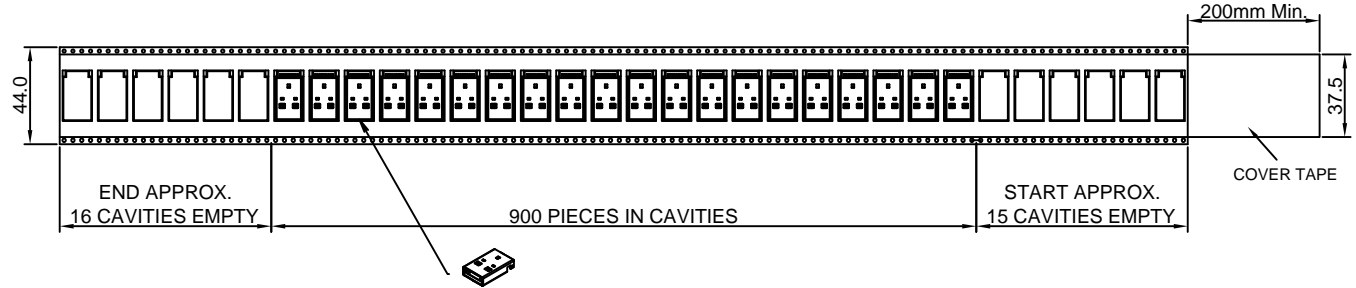
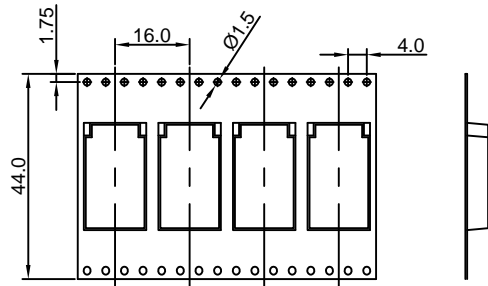


Tolerances (Except as noted)	Part Number:-	Date:-
Dimensions in mm	USB1065	09 MAY 11
X.X ± 0.4 X.XX ± 0.25 X.XXX ± 0.05	X.X* ± 2° X.XX* ± 1° X.XXX* ± 0.5°	Description:-
		USB 3.0 Plug, Type A, SMT, Horizontal, 9 Pin, Top Mount, with Plastic Locating Pegs & Outer Shell Stakes
	© THIS DRAWING IS CONFIDENTIAL AND MUST NOT BE COPIED OR DISCLOSED WITHOUT WRITTEN CONSENT	



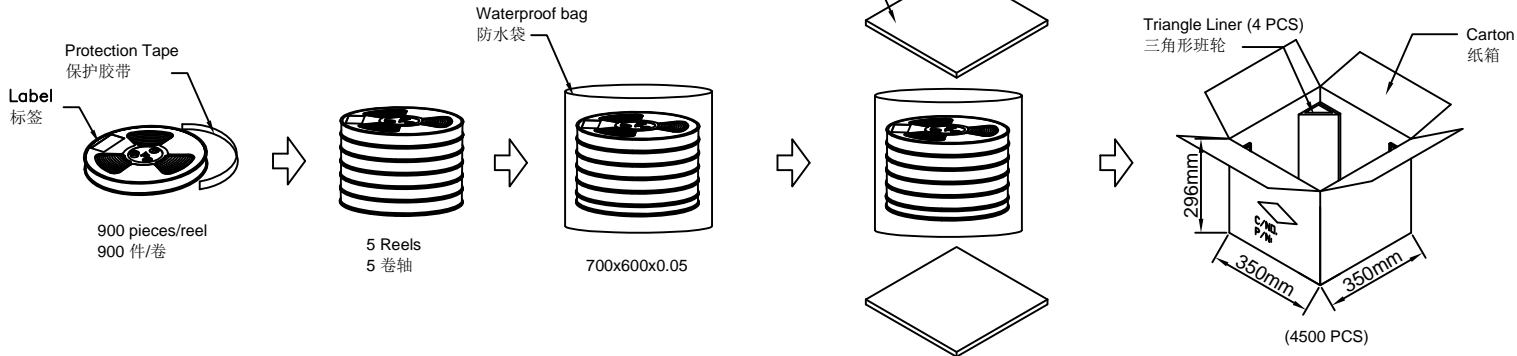
Scale	Revision	Material	Drawn by	Sheet No.
NTS	E	See Note	ASE	E & OE 1/2

Global Connector Technology Ltd. - USB1065: USB 3.0 Plug, Type A, SMT, Horizontal, 9 Pin, Top Mount, W/Plastic Locating Pegs & Outer Shell Stakes



Products P/N	PCS/Reel	Reels/Carton	PCS/Carton
USB1065-30-A	900	5	4500

- Notes注意:
1. Peeling off force of top tape: 0.1-1.3N
 2. Part Conforms to EIA-481-C Standards 产品符合EIA-481-C标准
 3. All dimensions in millimeters 所有尺寸均是毫米



By	ASE	ASE	ASE	ASE	AJO
DETAIL	Drawing Release	Packing Amended	Additional Dimensions	PCN: USB1065-001	PCN: USB1065-002
REV DATE	A 09/05/11	B 20/02/12	C 16/07/12	D 02/05/13	E 09/12/13



Tolerances (Except as noted)		Part Number:-	Date:-
Dimensions in mm		USB1065	09 MAY 11
X.X ± 0.4	X.X° ± 2°	Description:-	
X.XX ± 0.25	X.XX° ± 1°	USB 3.0 Plug, Type A, SMT, Horizontal, 9 Pin, Top Mount, with Plastic Locating Pegs & Outer Shell Stakes	
X.XXX ± 0.05	X.XXX° ± 0.5°	© THIS DRAWING IS CONFIDENTIAL AND MUST NOT BE COPIED OR DISCLOSED WITHOUT WRITTEN CONSENT	
Third Angle Projection		Scale NTS	Revision E

GCT
www.gct.co

Material See Note	Drawn by ASE	E & OE	Sheet No. 2/2
-------------------	--------------	--------	---------------