

Main

Commercial Status	Commercialised
Range of product	Modicon Momentum automation platform
Product or component type	Discrete inputs base AC
Group of channels	2 groups of 8 inputs
Discrete input number	16 IEC 1131-2 Type 2
Discrete input voltage	230 V AC
Protective treatment	TC

Complementary

Discrete input logic	Positive
Input voltage limits	164...253 V
Network frequency	47...63 Hz
Voltage range	163...253 V
Voltage state 0 guaranteed	<= 40 V
Voltage state 1 guaranteed	>= 164 V
Current state 0 guaranteed	<= 2 mA
Current state 1 guaranteed	>= 10 mA
Input resistance	9 kOhm 50 Hz 7.5 kOhm 60 Hz
Response time	13.3 ms 60 Hz from state 1 to state 0 13.3 ms 60 Hz from state 0 to state 1
Isolation between group	1780 V AC
Isolation between channels and bus	1780 V AC
Terminals description PLC n°1	(1)IN_DIS#1 (10)IN_DIS#10 (11)IN_DIS#11 (12)IN_DIS#12 (13)IN_DIS#13 (14)IN_DIS#14 (15)IN_DIS#15 (16)IN_DIS#16 (2)IN_DIS#2 (3)IN_DIS#3 (4)IN_DIS#4 (5)IN_DIS#5 (6)IN_DIS#6 (7)IN_DIS#7 (8)IN_DIS#8 (9)IN_DIS#9 (L1)PW (N)PW TB
Marking	CE
Local signalling	16 LEDs channel status
Current consumption	<= 125 mA 230 V AC
Depth	47.5 mm
Height	141.5 mm
Width	125 mm
Product weight	0.284 kg

Environment

Product certifications	CSA UL
Resistance to electrostatic discharge	8 kV on air IEC 801-2 4 kV contact IEC 801-2
Resistance to electromagnetic fields	10 V/m 80...1000 MHz IEC 801-3
Ambient air temperature for operation	0...60 °C
Ambient air temperature for storage	-40...85 °C
Relative humidity	95 % without condensation
Operating altitude	<= 5000 m

RoHS compliance

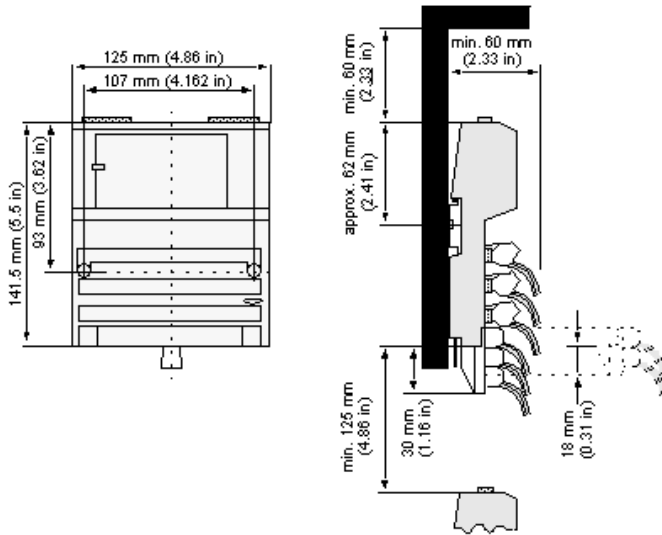
RoHS EUR status	Will be compliant
RoHS EUR conformity date(YYWW)	4Q2011

Contractual warranty

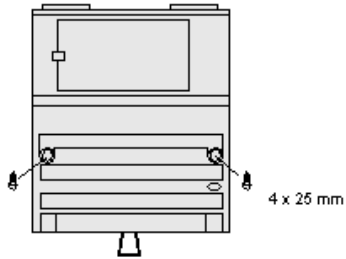
Period	18 months
--------	-----------

Standard Adapter on a Typical Base

Dimensions

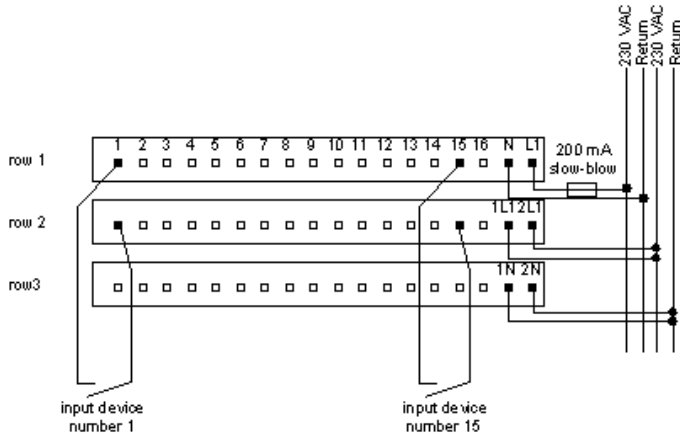


Mounting on a Wall

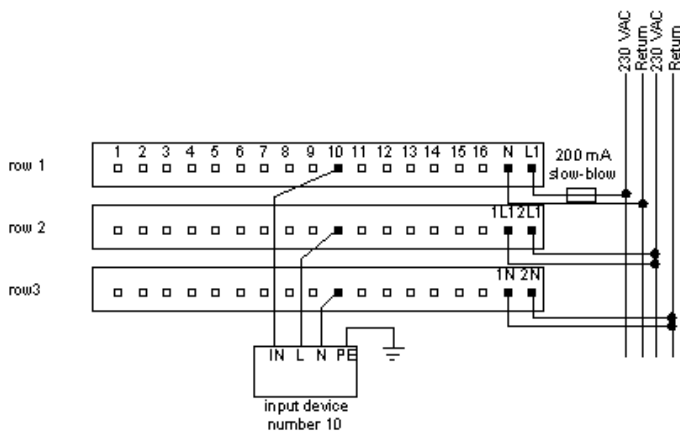


External Wiring Diagrams

2-Wire Devices



3-Wire Device



Internal Pin Connections

