

Main

Commercial Status	Commercialised
Range of product	Modicon Momentum automation platform
Product or component type	Discrete output base AC
Group of channels	2 groups of 8 outputs
Discrete output number	16
Discrete output type	Triac
Discrete output voltage	230 V AC
Current per channel	<= 0.5 A
Short-circuit protection	Internal fuse, 5 A slow-blow per group
Protective treatment	TC

Complementary

[Ue] rated operational voltage	230 V AC
Discrete output current	8 A per module 4 A per group
Minimum output current	30 mA
Leakage current	2.4 mA 230 V AC
Surge current	5 A for 3 cycles 15 A for 1 cycle 10 A for 2 cycles
Voltage drop	< 1.5 V 0.5 A at state 1
Output overload protection	Internal fuse
Response time	1/2 x 1/f (= 0.5 of one line cycle) from state 1 to state 0 1/2 x 1/f (= 0.5 of one line cycle) from state 0 to state 1
Isolation between channels and bus	1780 V AC for 1 minute
Power dissipation	6 W typical 7.5 W maximum
Marking	CE
Local signalling	16 LEDs channel status
Current consumption	65 mA 230 V AC
Terminals description PLC n°1	(1)OUT_DIS#1 (10)OUT_DIS#10 (11)OUT_DIS#11 (12)OUT_DIS#12 (13)OUT_DIS#13 (14)OUT_DIS#14 (15)OUT_DIS#15 (16)OUT_DIS#16 (1L+)PW (1N)PW (2)OUT_DIS#2 (3)OUT_DIS#3 (4)OUT_DIS#4 (5)OUT_DIS#5 (6)OUT_DIS#6 (7)OUT_DIS#7 (8)OUT_DIS#8 (9)OUT_DIS#9 TB
Depth	47.5 mm
Height	141.5 mm
Width	125 mm
Product weight	0.284 kg

Environment

Product certifications	CSA FM Class 1 Division 2 UL
Resistance to electrostatic discharge	8 kV on air IEC 801-2 4 kV contact IEC 801-2
Resistance to electromagnetic fields	10 V/m 80...1000 MHz IEC 801-3
Ambient air temperature for operation	0...60 °C
Ambient air temperature for storage	-40...85 °C
Relative humidity	95 % without condensation
Operating altitude	<= 5000 m

RoHS compliance

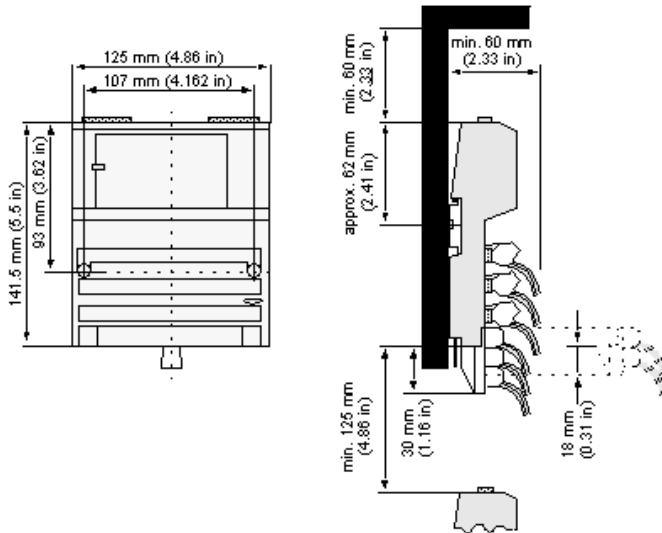
RoHS EUR status	Will be compliant
RoHS EUR conformity date(YYWW)	4Q2011

Contractual warranty

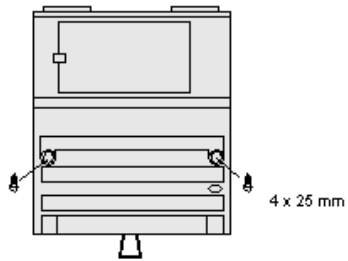
Period	18 months
--------	-----------

Standard Adapter on a Typical Base

Dimensions

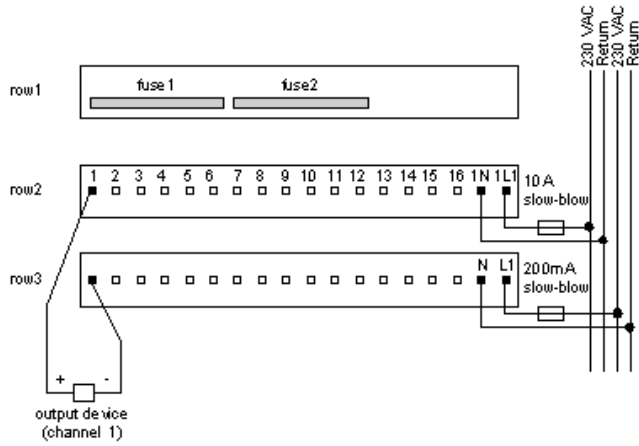


Mounting on a Wall

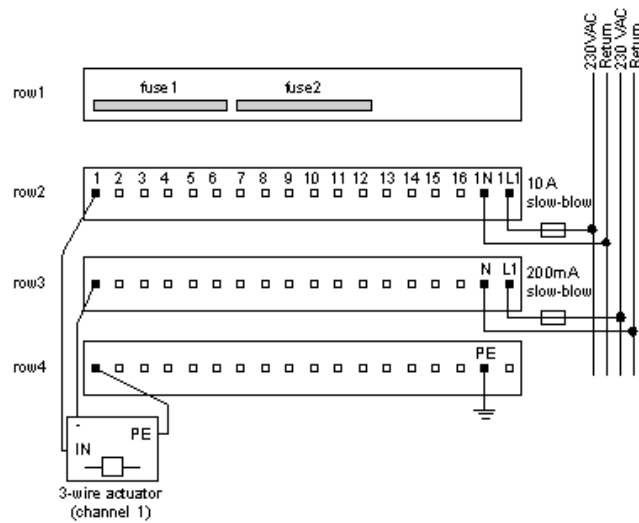


External Wiring Diagrams

2-Wire Device



3-Wire Device



Internal Pin Connections

Rows 1 through 3 show the internal connections between terminals on the I/O base. Row 4 shows the internal connections on the optional busbar.

