

### Main

|                               |  |
|-------------------------------|--|
| Range of product              | Preventa Safety automation   |
| Product or component type     | Preventa safety module   |
| Safety module name            | XPSAR  |
| Safety module application     | For emergency stop, switch and safety light curtain monitoring   |
| Function of module            | Monitoring of electro-sensitive protection equipment (ESPE)<br>Monitoring of a movable guard associated with 2 switches and automatic start<br>Monitoring of a movable guard<br>Emergency stop monitoring 1-channel wiring<br>Emergency stop with 2 NC contacts monitoring 2-channel wiring<br>Multiple emergency stop monitoring 2-channel wiring   |
| Safety level                  | Can reach SILCL 3 conforming to EN/IEC 62061<br>Can reach PL e/category 4 conforming to EN/ISO 13849-1   |
| Safety reliability data       | PFHd = 2.22E-9 1/h conforming to EN/IEC 62061<br>MTTFd = 277.8 years conforming to EN/ISO 13849-1<br>DC > 99 % conforming to EN/ISO 13849-1  |
| Type of start                 | Configurable   |
| Connections - terminals       | Captive screw clamp terminals, removable terminal block, clamping capacity: 2 x 0.5...2 x 1.5 mm <sup>2</sup> flexible cable with cable end, with double bezel<br>Captive screw clamp terminals, removable terminal block, clamping capacity: 2 x 0.25...2 x 1 mm <sup>2</sup> flexible cable with cable end, with double bezel<br>Captive screw clamp terminals, removable terminal block, clamping capacity: 2 x 0.2...2 x 1.5 mm <sup>2</sup> flexible cable with cable end, with double bezel<br>Captive screw clamp terminals, removable terminal block, clamping capacity: 2 x 0.2...2 x 1 mm <sup>2</sup> solid cable with cable end, with double bezel<br>Captive screw clamp terminals, removable terminal block, clamping capacity: 1 x 0.25...1 x 2.5 mm <sup>2</sup> flexible cable with cable end, with double bezel<br>Captive screw clamp terminals, removable terminal block, clamping capacity: 1 x 0.2...1 x 2.5 mm <sup>2</sup> solid cable with cable end, with double bezel<br>Captive screw clamp terminals, removable terminal block, clamping capacity: 1 x 0.2...1 x 2.5 mm <sup>2</sup> flexible cable with cable end, with double bezel |
| Output type                   | Relay instantaneous opening 7 NO, volt-free  |
| Number of additional circuits | 2 NC + 4 solid state outputs   |
| [Us] rated supply voltage     | 24 V DC (- 15...10 %)<br>115 V AC (- 15...15 %)  |

### Complementary

|                                     |                      |
|-------------------------------------|----------------------|
| Synchronisation time between inputs | 100 ms               |
| Supply frequency                    | 50/60 Hz             |
| Power consumption in W              | <= 4 W DC            |
| Power consumption in VA             | <= 9 VA AC           |
| Input protection type               | Internal, electronic |
| Control circuit voltage             | 24 V DC              |
| Line resistance                     | 50 Ohm               |

|  |  |
|--|--|
| Breaking capacity  | C300: 3600 VA, AC-15 (inrush) for relay output<br>C300: 360 VA, AC-15 (holding) for relay output   |
| Breaking capacity  | 2 A at 24 V (DC-13) time constant: 50 ms for relay output<br>20 mA at 24 V   |
| Output thermal current                                   | 10 A per relay for relay output  |
| [I <sub>th</sub> ] conventional free air thermal current | 40 A   |
| Associated fuse rating                                   | 6 A fuse type gG or gL for relay output conforming to EN/IEC 60947-5-1, DIN VDE 0660 part 200<br>10 A fuse type fast blow for relay output conforming to EN/IEC 60947-5-1, DIN VDE 0660 part 200 |
| Minimum output current                                   | 170 mA for relay output  |
| Minimum output voltage                                   | 17 V for relay output  |
| Response time on input open                              | <= 20 ms   |
| [U <sub>i</sub> ] rated insulation voltage               | 300 V (degree of pollution: 2) conforming to IEC 60647-5-1, DIN VDE 0110 part 1  |
| [U <sub>imp</sub> ] rated impulse withstand voltage      | 4 kV overvoltage category III conforming to IEC 60647-5-1, DIN VDE 0110 part 1   |
| Local signalling   | 4 LEDs   |
| Current consumption                                      | 30 mA at 24 V DC (on power supply)   |
| Mounting support   | 35 mm symmetrical DIN rail   |
| Product weight   | 0.4 kg   |

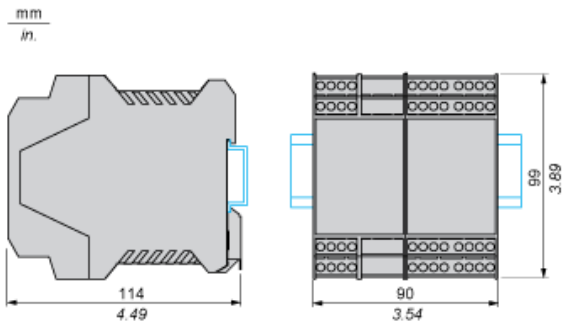
## Environment

|                                       |  |
|---------------------------------------|--|
| Standards                             | EN 1088/ISO 14119<br>EN/IEC 60204-1<br>EN/IEC 60947-5-1<br>EN/ISO 13850                    |
| Product certifications                | CSA<br>TÜV<br>UL   |
| IP degree of protection               | IP40 (enclosure) conforming to EN/IEC 60529<br>IP20 (terminals) conforming to EN/IEC 60529 |
| Ambient air temperature for operation | -10...55 °C  |
| Ambient air temperature for storage   | -25...85 °C  |

## Contractual warranty

|        |           |
|--------|-----------|
| Period | 18 months |
|--------|-----------|

Dimensions



## Wiring Diagrams

### Refer to the Instruction Sheet

To download the instruction sheet, follow below procedure:

**XPSAC5121**  
module XPSAC - Emergency stop - 24 V AC DC

[Download XPSAC5121 product datasheet](#)

Download & Documents 1 to 3 of 3 (Total: -1)

**Instruction sheet**

|   |                    |          |
|---|--------------------|----------|
| XPSAC... Safety module for emergency stop and switch monitoring | English 2012-07-04 | pdf (28) |
|---|--------------------|----------|

**Image of product**

|                                      |            |             |
|--------------------------------------|------------|-------------|
| Emergency stop and switch monitoring | 2010-11-10 | {Select : } |
|--------------------------------------|------------|-------------|

**Certificate**

|                     |                    |          |
|---------------------|--------------------|----------|
| Russian certificate | English 2010-07-07 | pdf (60) |
|---------------------|--------------------|----------|

1

2

- 1 Click on Download & Documents.
- 2 Click on Instruction sheet.