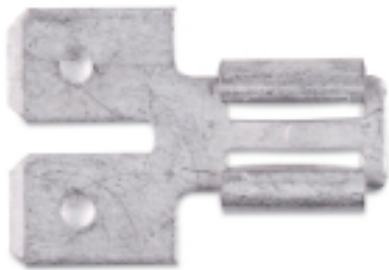


Sta-Kon®

Adapters & Coupler
T&B Catalog Number:

FTA250
 78621081238
 Active

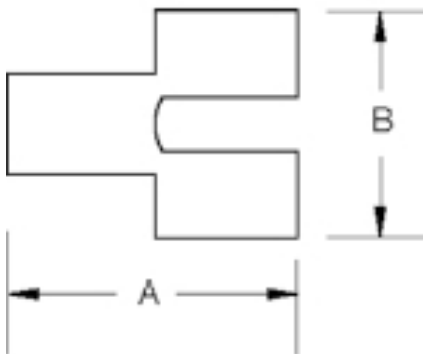


UPC Number:
Status:
Description:

Non-Insulated 250 Series Adapter Length 0.82, Metallic

WEB_USE

US Cutsheet PDF Catalog Link <http://www-public.tnb.com/contractor/docs/stakon.pdf>



General

Style	251 Series Adapter
Insulation Type	Non-Insulated
Terminal Series	F
Material	Brass
Finish	Electro -Tin Plated
Color	Metallic
Tab Size	.250 x .032

Dimension Information

Stock Thickness	.07
A (inches)	.82
B (inches)	.56

Specifications

Temperature Rating	150°C
Voltage Rating	600V
Flammability Rating	UL 94 V-0

Tooling

Tool Charts Available on Website

Packaging

T&B Order Multiple	1000
T&B Inner Pack	1000
Package in Units	10000
Package Type	Bulk
T&B Sold in UOM	Each
T&B Weight Per UOM	0.36 lbs. per 100
Alternate Package Qty	F250TA

Application Support

Overview	Available on Website
Wire Guide Tables	Available on Website

Certifications

RoHS Compliance	Yes
-----------------	-----

For further technical assistance, please contact us...

Thomas & Betts - USA
 8155 T&B Blvd.
 Memphis, TN 38125
www.tnb.com

T&B Technical Support
 MS 3B-50
 8155 T&B Blvd.
 Memphis, TN 38125

Hours: 7AM - 6PM CDT
 Monday-Friday
 Phone: (888) 862-3289
 Fax: (901) 252-1321

