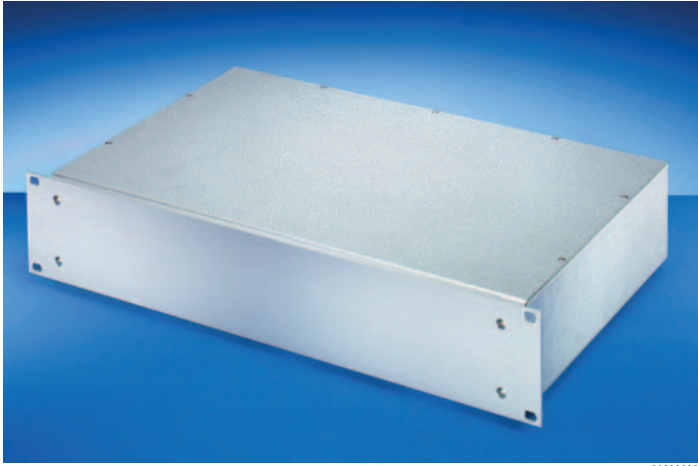


19" chassis - *multipacPRO*

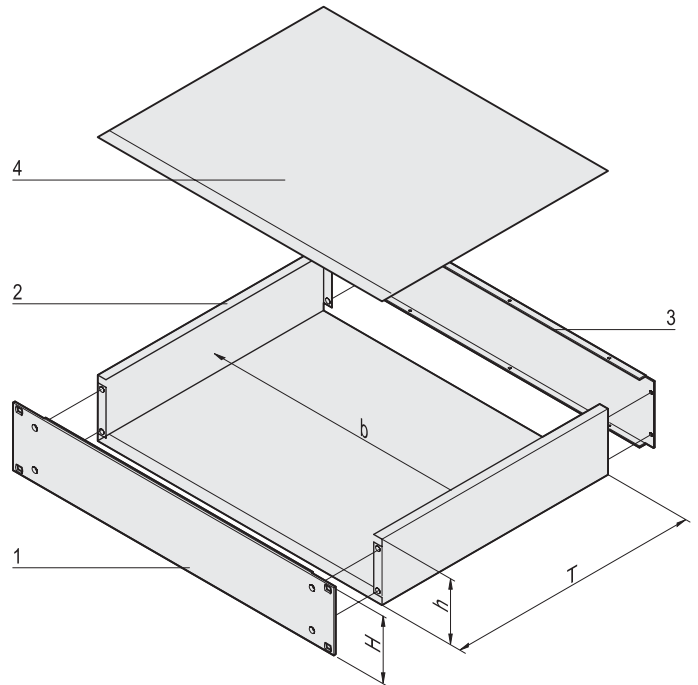
19" complete chassis



- Complete chassis, St (AlZn coated), with Al extrusion front panel
- Detachable rear panel for easy assembly
- 19" and ATX power supplies can be assembled in the 1 U version up to a clearance of 40 mm

Delivery comprises (kit)

Item	Qty	Description
1	1	Front panel, Al extrusion, 2 mm, front anodised, rear etched (at 1 U), colourless chromated front and rear side of the front panel, from 2 U clear chromated
2	1	Base body plain, St, 1mm, (AlZn coated)
3	1	Rear panel, St, 1mm, (AlZn coated)
4	1	Cover plain, St, 1mm, (AlZn coated)
5	1	Assembly kit



h = clearance (height H - 30), w = clearance width = 447 mm

Order Information

Height U	Height H mm	Depth T mm	Order no.
1	43.7	220	20860-120
1	43.7	280	20860-121
1	43.7	340	20860-122
2	88.1	280	20860-126
2	88.1	340	20860-127
Front handles For 1 U, Al extrusion, anodised, PU 2 pieces			20860-256
Front handles For 2 U, Al extrusion, anodised, PU 2 pieces			20860-257

Note

- Further dimensions available on request
- Use of telescopic slides not possible
- No EMC version available
- Internal configuration kits cannot be used

For further information www.schroff.biz/oneclick
 oneClick code = Order no.

