

## Series 76-59

### EXTRA TOUGH VANDAL RESISTANT SEALED PUSHBUTTON SWITCH

The Series 76-59 is an extra tough, stainless steel sealed pushbutton. It is made to withstand rough use and the concave stainless button makes it ADA compatible. The switch is momentary action and the button is available in a stainless or red powder coated button.



ACTUAL SIZE

### APPLICATIONS

- Security systems
- Kiosks
- Process control
- Public access equipment
- Gas pumps
- Outdoor machinery
- Industrial machinery

### KEY FEATURES:

- Sealed to IP67
- SPST-NO-DB
- Stainless steel body and button
- .110 quick connect terminals
- Standard ITW Pancon connector available
- Extra ruggedized construction
- ADA compatible

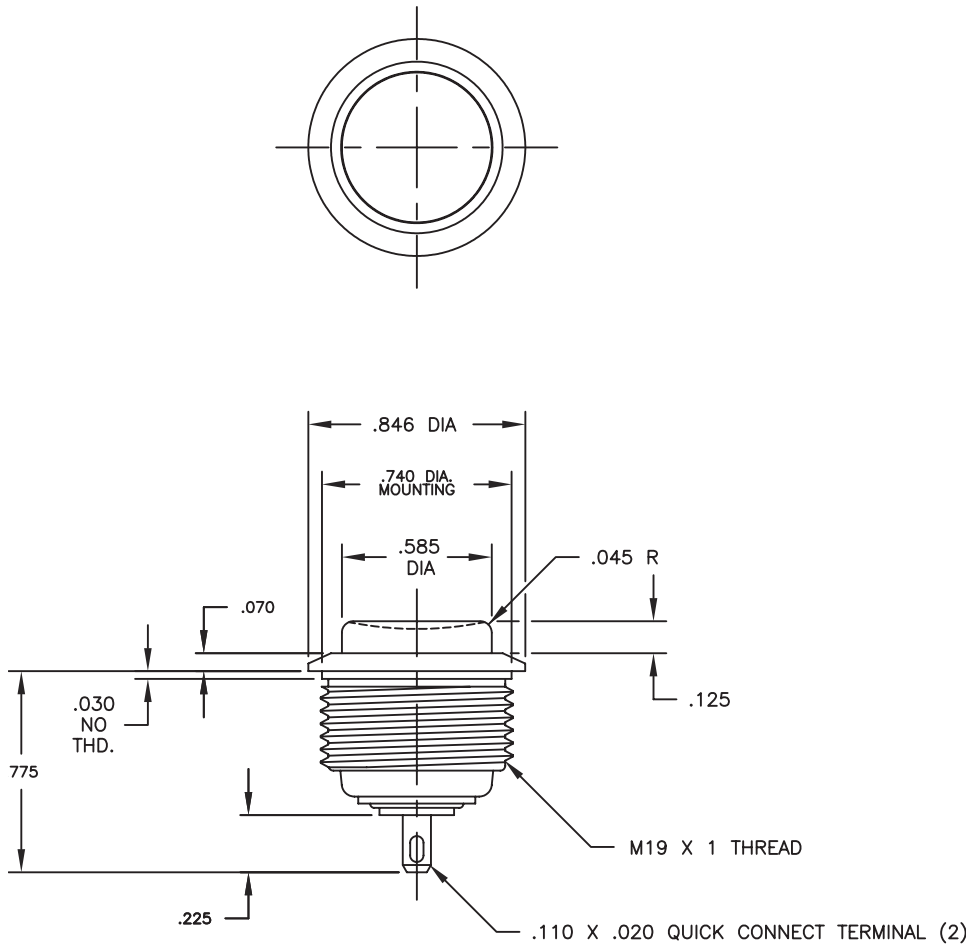
### ORDERING INFORMATION:

Part Number	Bushing	Button
<b>76-59200</b>	Stainless steel	Raised concave stainless steel
<b>76-59300</b>	Stainless steel	Raised concave brass with UV stabilized red powder coat finish

### STANDARDS / AGENCY / RATINGS:



76-59200 & 76-59300



**MECHANICAL / ELECTRICAL CHARACTERISTICS:**

**Electrical rating:**

100 mA max @  
50 VDC Resistive

**Life (electrical):**

500,000 cycles @ max load

**Operating force:**

3.0 N ref

**Operating temperature:**

-55°C to +125°C

**Bushing material:**

stainless steel

**Button material:**

stainless steel (76-59200) or  
brass with UV stabilized red  
powder coat finish (76-59300)

**Contacts & terminals:**

gold plated brass

**Switch terminals mate with**

**ITW Pancon Connector  
CSF-MH-0202**

**Recommended panel cutout:**

0.758 inch diameter

**Recommended panel**

**thickness:**

0.06 – 0.31 inches