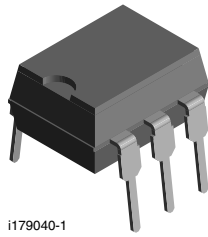
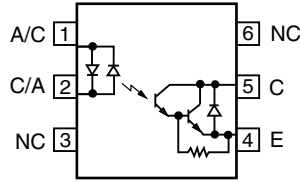


Optocoupler, Photodarlington Output, AC Input, Internal R_{BE}



i179040-1



FEATURES

- Internal R_{BE} for better stability
- BV_{CEO} ≥ 60 V
- Isolation test voltage, 5300 V_{RMS}
- AC or polarity insensitive inputs
- No base connection
- High insulation resistance, 10¹¹ Ω typical
- Standard plastic DIP package
- Material categorization: For definitions of compliance please see www.vishay.com/doc?99912


RoHS
COMPLIANT

DESCRIPTION

The IL766B is a bidirectional input, optically coupled isolator consisting of two gallium arsenide infrared emitters and a silicon photodarlington sensor.

AGENCY APPROVALS

- UL1577, File No. E52744 system code H or J, double protection
- BSI IEC 60950; IEC 60065

ORDERING INFORMATION			
I	L	7	6
6	B	-	#
X	0	0	#
PART NUMBER		CTR BIN	PACKAGE OPTION
		DIP-6 7.62 mm	DIP-6, 400 mil 10.16 mm
AGENCY CERTIFIED/PACKAGE	CTR (%)		
VDE, UL, BSI, CSA	> 400		> 900
DIP-6	IL766B-1	IL766B-2	
DIP-6, 400 mil, option 6	-	IL766B-2X006	

Note

- For additional information on the available options refer to option information.

ABSOLUTE MAXIMUM RATINGS (T _{amb} = 25 °C, unless otherwise specified)				
PARAMETER	TEST CONDITION	SYMBOL	VALUE	UNIT
INPUT				
Forward continuous current		I _F	60	mA
Power dissipation		P _{diss}	200	mW
Derate linearly from 55 °C			2.6	mW/°C
OUTPUT				
Collector emitter breakdown voltage		BV _{CEO}	60	V
Collector base breakdown voltage		BV _{CBO}	70	V
Power dissipation		P _{diss}	200	mW
Derate linearly from 25 °C			2.6	mW/°C
COUPLER				
UL isolation test voltage		V _{ISO}	5300	V _{RMS}
Total power dissipation	t = 1.0 s	P _{tot}	250	mW
Derate linearly from 25 °C			3.3	mW/°C
Creepage			≥ 7	min
Clearance			≥ 7	min



ABSOLUTE MAXIMUM RATINGS ($T_{amb} = 25\text{ }^{\circ}\text{C}$, unless otherwise specified)				
PARAMETER	TEST CONDITION	SYMBOL	VALUE	UNIT
COUPLER				
Isolation resistance	$V_{IO} = 500\text{ V}$, $T_{amb} = 25\text{ }^{\circ}\text{C}$	R_{IO}	10^{12}	Ω
	$V_{IO} = 500\text{ V}$, $T_{amb} = 100\text{ }^{\circ}\text{C}$	R_{IO}	10^{11}	Ω
Storage temperature		T_{stg}	- 55 to + 150	$^{\circ}\text{C}$
Operating temperature		T_{amb}	- 55 to + 100	$^{\circ}\text{C}$
Lead soldering time at 260 $^{\circ}\text{C}$			10	s

Note

- Stresses in excess of the absolute maximum ratings can cause permanent damage to the device. Functional operation of the device is not implied at these or any other conditions in excess of those given in the operational sections of this document. Exposure to absolute maximum ratings for extended periods of the time can adversely affect reliability.

ELECTRICAL CHARACTERISTICS ($T_{amb} = 25\text{ }^{\circ}\text{C}$, unless otherwise specified)							
PARAMETER	TEST CONDITION	PART	SYMBOL	MIN.	TYP.	MAX.	UNIT
INPUT							
Forward voltage	$I_F = \pm 10\text{ mA}$		V_F		1.25	1.5	V
OUTPUT							
Collector emitter breakdown voltage	$I_C = 10\text{ mA}$, $I_F = 0\text{ A}$		BV_{CEO}	60			V
Collector emitter leakage current	$V_{CE} = 10\text{ V}$, $I_F = 0\text{ A}$		I_{CEO}		1.0	100	nA
COUPLER							
Collector emitter, saturation voltage	$I_C = \pm 10\text{ mA}$, $I_F = \pm 10\text{ mA}$		V_{CEsat}			1.0	V

Note

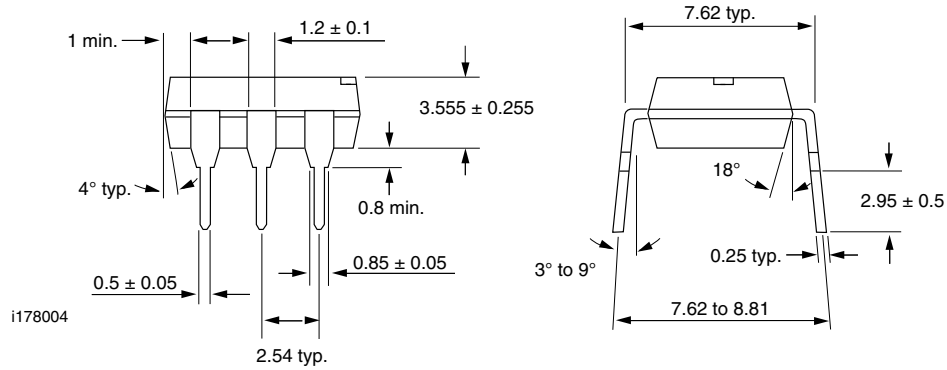
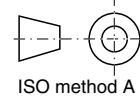
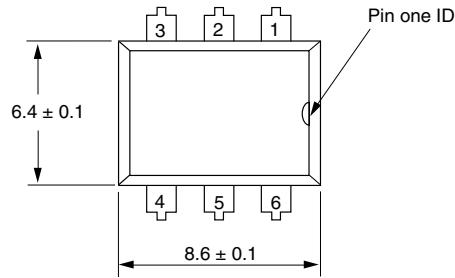
- Minimum and maximum values were tested requirements. Typical values are characteristics of the device and are the result of engineering evaluations. Typical values are for information only and are not part of the testing requirements.

CURRENT TRANSFER RATIO							
PARAMETER	TEST CONDITION	PART	SYMBOL	MIN.	TYP.	MAX.	UNIT
Saturation voltage, collector emitter	$I_F = \pm 1.0\text{ mA}$, $V_{CE} = 5.0\text{ V}$	IL766B-1	CTR	400			%
	$I_F = \pm 0.5\text{ mA}$, $V_{CE} = 5.0\text{ V}$	IL766B-2	CTR	900			%

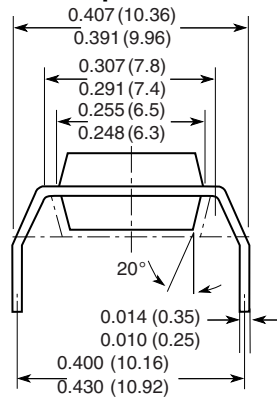
SWITCHING CHARACTERISTICS							
PARAMETER	TEST CONDITION	SYMBOL	MIN.	TYP.	MAX.	UNIT	
Turn-off time	$V_{CC} = 5.0\text{ V}$, $I_F = \pm 2.0\text{ mA}$, $R_L = 100\text{ }\Omega$		t_{off}		200	μs	



PACKAGE DIMENSIONS in inches (millimeters)



Option 6



18446



Disclaimer

ALL PRODUCT, PRODUCT SPECIFICATIONS AND DATA ARE SUBJECT TO CHANGE WITHOUT NOTICE TO IMPROVE RELIABILITY, FUNCTION OR DESIGN OR OTHERWISE.

Vishay Intertechnology, Inc., its affiliates, agents, and employees, and all persons acting on its or their behalf (collectively, "Vishay"), disclaim any and all liability for any errors, inaccuracies or incompleteness contained in any datasheet or in any other disclosure relating to any product.

Vishay makes no warranty, representation or guarantee regarding the suitability of the products for any particular purpose or the continuing production of any product. To the maximum extent permitted by applicable law, Vishay disclaims (i) any and all liability arising out of the application or use of any product, (ii) any and all liability, including without limitation special, consequential or incidental damages, and (iii) any and all implied warranties, including warranties of fitness for particular purpose, non-infringement and merchantability.

Statements regarding the suitability of products for certain types of applications are based on Vishay's knowledge of typical requirements that are often placed on Vishay products in generic applications. Such statements are not binding statements about the suitability of products for a particular application. It is the customer's responsibility to validate that a particular product with the properties described in the product specification is suitable for use in a particular application. Parameters provided in datasheets and/or specifications may vary in different applications and performance may vary over time. All operating parameters, including typical parameters, must be validated for each customer application by the customer's technical experts. Product specifications do not expand or otherwise modify Vishay's terms and conditions of purchase, including but not limited to the warranty expressed therein.

Except as expressly indicated in writing, Vishay products are not designed for use in medical, life-saving, or life-sustaining applications or for any other application in which the failure of the Vishay product could result in personal injury or death. Customers using or selling Vishay products not expressly indicated for use in such applications do so at their own risk. Please contact authorized Vishay personnel to obtain written terms and conditions regarding products designed for such applications.

No license, express or implied, by estoppel or otherwise, to any intellectual property rights is granted by this document or by any conduct of Vishay. Product names and markings noted herein may be trademarks of their respective owners.

Material Category Policy

Vishay Intertechnology, Inc. hereby certifies that all its products that are identified as RoHS-Compliant fulfill the definitions and restrictions defined under Directive 2011/65/EU of The European Parliament and of the Council of June 8, 2011 on the restriction of the use of certain hazardous substances in electrical and electronic equipment (EEE) - recast, unless otherwise specified as non-compliant.

Please note that some Vishay documentation may still make reference to RoHS Directive 2002/95/EC. We confirm that all the products identified as being compliant to Directive 2002/95/EC conform to Directive 2011/65/EU.

Vishay Intertechnology, Inc. hereby certifies that all its products that are identified as Halogen-Free follow Halogen-Free requirements as per JEDEC JS709A standards. Please note that some Vishay documentation may still make reference to the IEC 61249-2-21 definition. We confirm that all the products identified as being compliant to IEC 61249-2-21 conform to JEDEC JS709A standards.