

Ceramic Disc Capacitors Class 1 and 2, 500 V_{DC}, General Purpose



Capacitors with 5 mm (0.20") and 7.5 mm (0.30") lead spacing

| QUICK REFERENCE DATA | | |
|----------------------------|--------------------------------|---------------------------------|
| DESCRIPTION | CLASS 1 (C0G (NP0), SL0) | CLASS 2 (Y5P, Z5U, Y5V, X5F) |
| Voltage (V _{DC}) | 500 | |
| Min. Capacitance (pF) | 10 | 100 |
| Max. Capacitance (pF) | 82 | 22 000 |
| Mounting | Through hole | |

MARKING

Marking indicates capacitance value and tolerance in accordance with "EIA 198".

The capacitors meet the essential requirements of "EIA 198". Unless stated otherwise all electrical values apply at an ambient temperature of 25 °C ± 3 °C, at normal atmospheric conditions.

OPERATING TEMPERATURE RANGE

Class 1, - 55 °C to + 125 °C

Class 2, - 55 °C to + 85 °C

TEMPERATURE COEFFICIENTS

Class 1, C0G (NP0); SL0

Class 2, Y5P; Z5U; Y5V; X5F

SECTIONAL SPECIFICATIONS

Class 1, IEC 60 384-8

Class 2, IEC 60 384-9

EIA 198

CLIMATIC CATEGORY

Class 1, 55/125/21

Class 2, 10/85/21, 30/85/21 and 55/85/21

FEATURES

- Low losses
- High stability
- High capacitance in small size
- Kinked (preferred) or straight leads
- Compliant to RoHS directive 2002/95/EC



RoHS
COMPLIANT

APPLICATIONS

- Bypassing
- Coupling
- Resonant circuit

DESIGN

The capacitors consist of a ceramic disc both sides of which are silver-plated. Connection leads are made of tinned copper having a diameter of 0.6 mm.

The capacitors have inward kinked leads with a spacing of 5 mm (0.200") or 7.5 mm (0.300") and a lead length from 4 mm to 30 mm. Encapsulation is made of phenolic resin.

CAPACITANCE RANGE

Class 1, at 1 MHz, 1.2 V_{RMS}; 10 pF to 82 pF

Class 2, at 1 kHz, 1 ± 0.2 V_{RMS}; 100 pF to 22 000 pF

1 kHz, 1 V_{RMS} ± 0.2 V_{RMS} for capacitance values higher than 1000 pF

RATED DC VOLTAGE

500 V

DIELECTRIC STRENGTH

250 % of rated voltage

INSULATION RESISTANCE AT 500 V_{DC}

≥ 10 000 MΩ

TOLERANCE ON CAPACITANCE

± 5 %; ± 10 %; ± 20 %; + 80/- 20 %

DISSIPATION FACTOR

Class 1, C ≤ 30 pF; ≤ 20 x (10/C + 0.7) x 10⁻⁴ maximum

Class 1, C > 30 pF; ≤ 0.2 %

Class 2, ≤ 3.0 %



Ceramic Disc Capacitors
Class 1 and 2, 500 V_{DC}, General Purpose

Vishay BCcomponents

| ORDERING INFORMATION (PREFERRED TYPES), CLASS 1, 500 V_{DC}, KINKED | | | | | |
|--|----------|------------------------|-------------------|------------------------|--|
| C (pF) | TOL. (%) | D _{MAX.} (mm) | LEAD SPACING (mm) | SH ⁽¹⁾ (mm) | CLEAR TEXT CODE |
| | | | | | 13 TH DIGIT: T = REEL; U = AMMO; 3 = BULK 16 TH DIGIT: R = RoHS COMPLIANT |
| CLASS 1 NP0 | | | | | |
| 10 | ± 5 | 5.0 | 5.0 | 4.0 | D100J20C0GL6.J5. |
| 12 | | | | | D120J20C0GL6.J5. |
| 15 | | | | | D150J20C0GL6.J5. |
| 18 | | D180J25C0GL6.J5. | | | |
| 22 | | D220J25C0GL6.J5. | | | |
| 27 | | D270J25C0GL6.J5. | | | |
| CLASS 1 SL0 | | | | | |
| 33 | ± 5 | 5.0 | 5.0 | 4.0 | D330J20SL0L6.J5. |
| 39 | | | | | D390J20SL0L6.J5. |
| 47 | | | | | D470J20SL0L6.J5. |
| 56 | | D560J20SL0L6.J5. | | | |
| 68 | | D680J25SL0L6.J5. | | | |
| 82 | | D820J25SL0L6.J5. | | | |

Notes

⁽¹⁾ SH = seated height

- Maximum thickness 4.0 mm
- Lead style codes refer to inward kinked leads. Other styles available on request

| ORDERING INFORMATION (PREFERRED TYPES), CLASS 2, 500 V_{DC}, KINKED | | | | | |
|--|-----------|------------------------|-------------------|------------------------|--|
| C (pF) | TOL. (%) | D _{MAX.} (mm) | LEAD SPACING (mm) | SH ⁽¹⁾ (mm) | CLEAR TEXT CODE |
| | | | | | 13 TH DIGIT: T = REEL; U = AMMO; 3 = BULK 16 TH DIGIT: R = RoHS COMPLIANT |
| CLASS 2 Y5P | | | | | |
| 100 | ± 10 | 5 | 5 | 4.0 | D101K20Y5PL6.J5. |
| 150 | | | | | D151K20Y5PL6.J5. |
| 220 | | | | | D221K20Y5PL6.J5. |
| 330 | | | | | D331K20Y5PL6.J5. |
| 470 | | | | | D471K20Y5PL6.J5. |
| 680 | | | | | D681K25Y5PL6.J5. |
| 1000 | | D102K25Y5PL6.J5. | | | |
| 1500 | | D152K29Y5PL6.J5. | | | |
| 2200 | | D222K33Y5PL6.J5. | | | |
| 3300 | | D332K39Y5PL6.J5. | | | |
| 4700 | | D472K43Y5PL6.J5. | | | |
| 6800 | | D682K53Y5PL6.J7 | | | |
| 10 000 | | D103K69Y5PL6.J7. | | | |
| CLASS 2 Y5V | | | | | |
| 1000 | + 80/- 20 | 5 | 5 | 4.0 | D102Z20Y5VL6.J5. |
| 1500 | | | | | D152Z20Y5VL6.J5. |
| 2200 | | | | | D222Z25Y5VL6.J5. |
| 3300 | | D322Z25Y5VL6.J5. | | | |
| 4700 | | D472Z29Y5VL6.J5. | | | |
| 6800 | | D682Z33Y5VL6.J5. | | | |
| 10 000 | | D103Z39Y5VL6.J5. | | | |
| 15 000 | | D153Z43Y5VL6.J5. | | | |
| 22 000 | | D223Z53Y5VL6.J7. | | | |
| | | | | | 7.5 |

| ORDERING INFORMATION (PREFERRED TYPES), CLASS 2, 500 V _{DC} , KINKED | | | | | |
|---|-------------|---------------------------|----------------------|---------------------------|--|
| C (pF) | TOL. (%) | D _{MAX.} (mm) | LEAD SPACING (mm) | SH ⁽¹⁾ (mm) | CLEAR TEXT CODE |
| | | | | | 13 TH DIGIT: T = REEL; U = AMMO; 3 = BULK 16 TH DIGIT: R = RoHS COMPLIANT |
| CLASS 2 Z5U | | | | | |
| 1000 | ± 20 | 5.0 | 5.0 | 4.0 | D102M20Z5UL6.J5. |
| 1500 | | | | | D152M25Z5UL6.J5. |
| 2200 | | | | | D222M25Z5UL6.J5. |
| 3300 | | | | | D332M29Z5UL6.J5. |
| 4700 | | | | | D472M33Z5UL6.J5. |
| 6800 | | | | | D682M39Z5UL6.J5. |
| 10 000 | | D103M43Z5UL6.J5. | | | |
| 15 000 | | D153M53Z5UL6.J7. | | | |
| 22 000 | | D223M59Z5UL6.J7. | | | |
| CLASS 2 X5F | | | | | |
| 1 00 | ± 10 | 5.0 | 5.0 | 4.0 | D101K20X5FL6.J5.R. |
| 2 20 | | | | | D221K20X5FL6.J5.R. |
| 330 | | | | | D331K20X5FL6.J5.R. |
| 470 | | | | | D471K25X5FL6.J5.R. |
| 680 | | | | | D681K25X5FL6.J5.R. |
| 1000 | | | | | D102K29X5FL6.J5.R. |
| 2200 | | D222K39X5FL6.J5.R. | | | |
| 3300 | | D332K47X5FL6.J7R. | | | |
| 4700 | | D472K53X5FL6.J7R. | | | |

Note

- (1) SH = seated height
- Maximum thickness 4.0 mm
- Lead style codes refer to inward kinked leads. Other styles available on request

| PACKAGING | | | | |
|---------------------------|-----------|----------------------|------|------|
| D _{MAX.} (mm) | SIZE CODE | PACKAGING QUANTITIES | | |
| | | BULK | REEL | AMMO |
| 5.0 (0.20") | 20 | 1000 | 2000 | 2000 |
| 6.5 (0.25") | 25 | | | |
| 7.5 (0.29") | 29 | | | |
| 8.5 (0.33") | 33 | | | |
| 10.0 (0.39") | 39 | | | |
| 11.0 (0.43") | 43 | | | |
| 12.0 (0.47") | 47 | 500 | - | - |
| 13.5 (0.53") | 53 | | | |
| 15.0 (0.59") | 59 | | | |
| 17.5 (0.69") | 69 | | | |

Note

- The capacitors are supplied in bulk packaging (cardboard boxes), in tape on reel or in ammpack.

Ceramic Disc Capacitors
Class 1 and 2, 500 V_{DC}, General Purpose

Vishay BCcomponents



| DIMENSIONS OF TAPE | | | |
|-------------------------------|--------------------------------------|-----------------|---------------|
| SYMBOL | PARAMETER | DIMENSIONS (mm) | |
| | | NOMINAL | TOLERANCE |
| D | Body diameter | 11.0 maximum | - |
| d | Lead diameter | 0.6 | ± 0.05 |
| P ⁽¹⁾ | Pitch between capacitors | 12.7 | ± 1.0 |
| P ₀ | Feed-hole pitch | 12.7 | ± 0.3 |
| ΔP | Plane deviation | 1.0 maximum | - |
| P ₁ ⁽²⁾ | Feed-hole center to lead center | 3.85 | ± 0.7 |
| P ₂ ⁽²⁾ | Feed-hole center to component center | 6.35 | ± 1.3 |
| F | Lead spacing | 5.0 | 0.6 - 0.4 |
| Δh | Component alignment | 0 | ± 1.0 |
| W | Tape width | 18.0 | 1.0 - 0.5 |
| W ₀ | Hold-down tape width | 5.0 minimum | - |
| W ₁ | Hole position | 9.0 | 0.75 - 0.5 |
| W ₂ | Hold-down tape margin | 3.0 maximum | - |
| H ₀ | Height to seating plane | 16.0 | ± 0.5 |
| H ₁ | Maximum component height | 32.0 | - |
| e | Lead end protrusion | 1.0 maximum | - |
| L | Maximum length of snapped lead | 11.0 | - |
| D ₀ | Feed-hole diameter | 4.0 | ± 0.2 |
| t | Total tape thickness | 0.9 maximum | - |
| t ₁ | Maximum thickness of tape and wires | 1.5 maximum | - |

Notes

⁽¹⁾ Cumulative pitch error: ± ≤ 1 mm/20 pitches

⁽²⁾ Obliquity maximum 3°

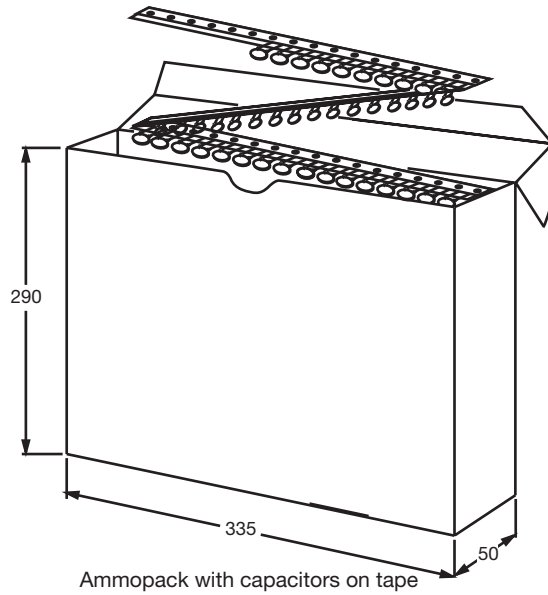
D Series

Vishay BCcomponents

Ceramic Disc Capacitors
Class 1 and 2, 500 V_{DC}, General Purpose



REEL AND TAPE DATA in millimeters





Disclaimer

ALL PRODUCT, PRODUCT SPECIFICATIONS AND DATA ARE SUBJECT TO CHANGE WITHOUT NOTICE TO IMPROVE RELIABILITY, FUNCTION OR DESIGN OR OTHERWISE.

Vishay Intertechnology, Inc., its affiliates, agents, and employees, and all persons acting on its or their behalf (collectively, "Vishay"), disclaim any and all liability for any errors, inaccuracies or incompleteness contained in any datasheet or in any other disclosure relating to any product.

Vishay makes no warranty, representation or guarantee regarding the suitability of the products for any particular purpose or the continuing production of any product. To the maximum extent permitted by applicable law, Vishay disclaims (i) any and all liability arising out of the application or use of any product, (ii) any and all liability, including without limitation special, consequential or incidental damages, and (iii) any and all implied warranties, including warranties of fitness for particular purpose, non-infringement and merchantability.

Statements regarding the suitability of products for certain types of applications are based on Vishay's knowledge of typical requirements that are often placed on Vishay products in generic applications. Such statements are not binding statements about the suitability of products for a particular application. It is the customer's responsibility to validate that a particular product with the properties described in the product specification is suitable for use in a particular application. Parameters provided in datasheets and/or specifications may vary in different applications and performance may vary over time. All operating parameters, including typical parameters, must be validated for each customer application by the customer's technical experts. Product specifications do not expand or otherwise modify Vishay's terms and conditions of purchase, including but not limited to the warranty expressed therein.

Except as expressly indicated in writing, Vishay products are not designed for use in medical, life-saving, or life-sustaining applications or for any other application in which the failure of the Vishay product could result in personal injury or death. Customers using or selling Vishay products not expressly indicated for use in such applications do so at their own risk and agree to fully indemnify and hold Vishay and its distributors harmless from and against any and all claims, liabilities, expenses and damages arising or resulting in connection with such use or sale, including attorneys fees, even if such claim alleges that Vishay or its distributor was negligent regarding the design or manufacture of the part. Please contact authorized Vishay personnel to obtain written terms and conditions regarding products designed for such applications.

No license, express or implied, by estoppel or otherwise, to any intellectual property rights is granted by this document or by any conduct of Vishay. Product names and markings noted herein may be trademarks of their respective owners.