

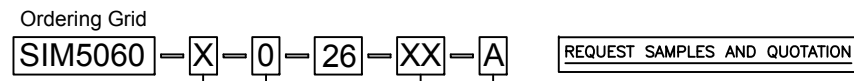
- C1---->VCC
- C2---->RST
- C3---->CLK
- C4---->RFU
- C5---->GND
- C6---->Vpp
- C7---->I/O
- C8---->RFU

RECOMMENDED PCB LAYOUT

AS VIEWED FROM COMPONENT SIDE

- Solder Area
- Component Outline

For 6 contacts version do not include solder pads C4 and C8 on PCB layout.



No. of Contacts: 6 = 6 Pin, 8 = 8 Pin
 (remove C4 and C8 on PCB layout)

0 = Without Switch

Packing Options: A = Tape & Reel (800 per Reel)

00 = Without Post, 01 = With Post

- SIM5060-6-0-26-00-A - MOQ and reel size 800
- SIM5060-6-0-26-01-A - MOQ and reel size 800
- SIM5060-8-0-26-00-A - MOQ 4800, reel size 800
- SIM5060-8-0-26-01-A - MOQ and reel size 800



Tolerances (Except as noted)		Part Number:-	Date:-
Dimensions in mm		SIM5060	13 DEC 10
XX ± 0.25	X.* ± 1*	Description:-	
XXX ± 0.15	X.X* ± 0.5*	SIM CARD CONNECTOR, HINGED TYPE, 6 OR 8 PIN, SMT, 2.6MM PROFILE, OPTIONAL POST	
XXXX ± 0.050	X.XX* ± 0.25*	© THIS DRAWING IS CONFIDENTIAL AND MUST NOT BE COPIED OR DISCLOSED WITHOUT WRITTEN CONSENT	
Third Angle Projection		Scale	Revision

Specification 规格:

Material 物料规格:
 Plastic Housing 塑胶外壳: Hi-Temp Thermoplastic UL94V-0, Black 高温塑胶, 黑色
 Contact Terminal 接触端子: Phosphor Bronze 磷青铜

Plating 电镀规格:
 Contact Terminal plating 接触端子部分电镀:
 Under-plating 底层电镀: 50µm Nickel 镀镍
 Contact Area 接触部分: 3µm Gold 镀金
 Soldering Area 焊接部分: 100µm Tin 镀锡

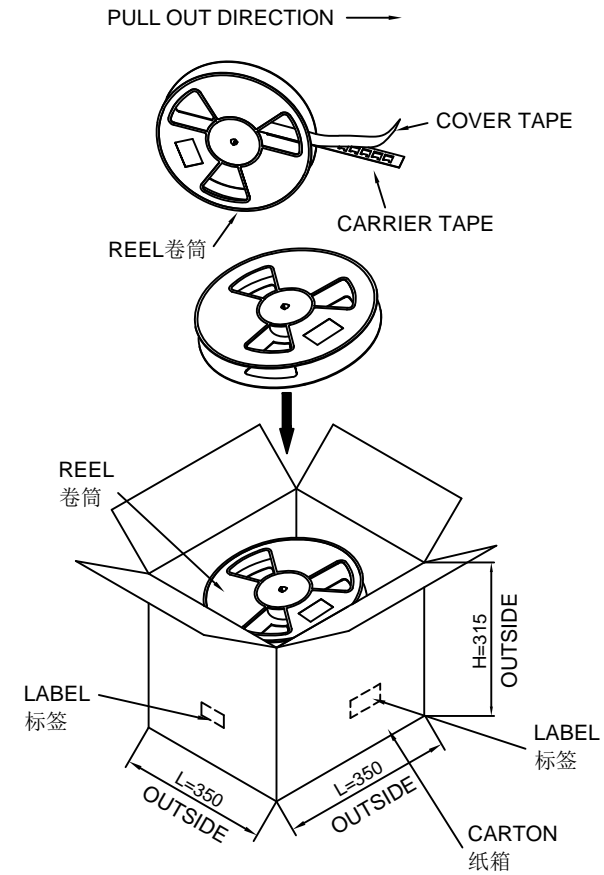
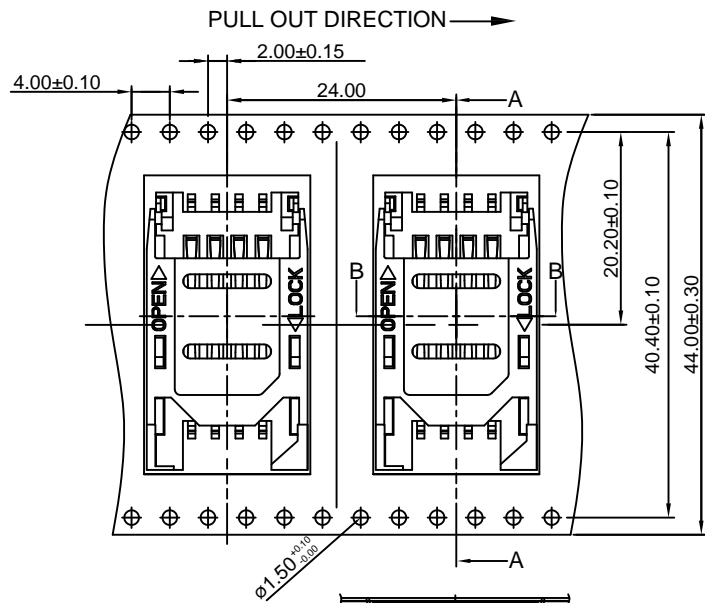
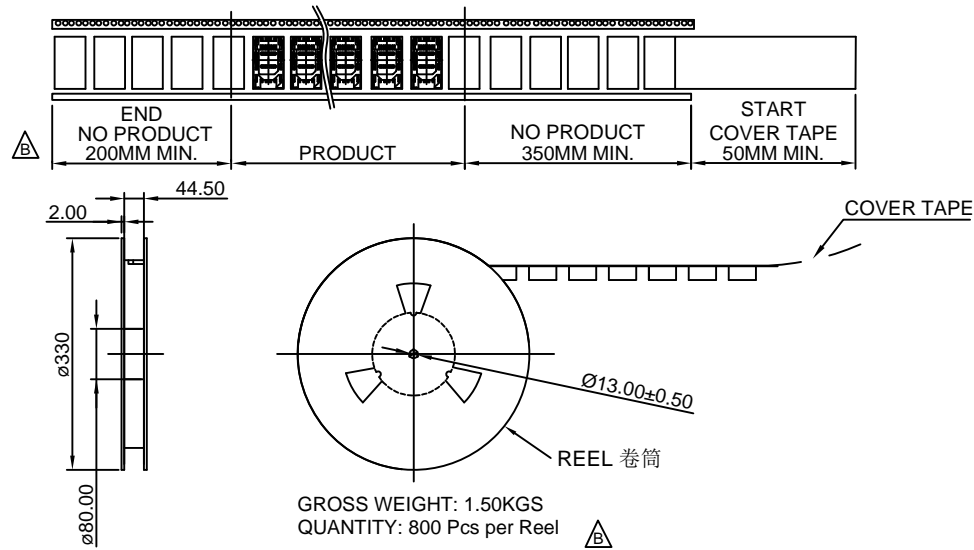
Electrical 电气规格:
 Voltage Rating 电压额定值: 50 V Max.
 Current Rating 电流额定值: 1A Max. 10µ A Min.
 Operating Temperature 工作温度: -40°C to +85°C
 Contact Resistance 接触电阻值: 50mΩ typical, 100mΩ Max.
 Insulating Resistance 绝缘电阻值: 1000MΩ Min. (Apply 施加 500V DC)
 Dielectric Withstanding Voltage 耐压: Withstand 500 VAC for 1 minute 能承受 500 VAC 1分钟

Mechanical 机械性规格:
 Durability 耐久性: 5,000 cycles 5,000 次插拔

By	SA	RA	AJO
DETAIL	DRAWING RELEASE	PACKING UPDATE	MOQ REVISION
REV	A	B	C
DATE	13/12/10	30/01/12	28/06/12



Scale	Revision	Material	Drawn by	Sheet No.
NTS	C	See Note	SA	E & OE 1/2



GROSS WEIGHT: 9.53KGS
 QUANTITY: 4800 Pcs per carton(6 Reels set in order)
 DIMENSIONS: 35.00L X 35.00W X 31.50H cm

By	SA	RA	AJO
DETAIL	DRAWING RELEASE	PACKING UPDATE	MOQ REVISION
REV DATE	A 13/12/10	B 30/01/12	C 28/06/12



Tolerances (Except as noted)	Part Number:-	Date:-
Dimensions in mm	SIM5060	13 DEC 10
	Description:-	
	SIM CARD CONNECTOR, HINGED TYPE, 6 OR 8 PIN, SMT, 2.6MM PROFILE, OPTIONAL POST	
Third Angle Projection	© THIS DRAWING IS CONFIDENTIAL AND MUST NOT BE COPIED OR DISCLOSED WITHOUT WRITTEN CONSENT	

GCT
www.gct.co

Scale NTS	Revision C	Material See Note	Drawn by SA	E & OE	Sheet No. 2/2
-----------	------------	-------------------	-------------	--------	---------------