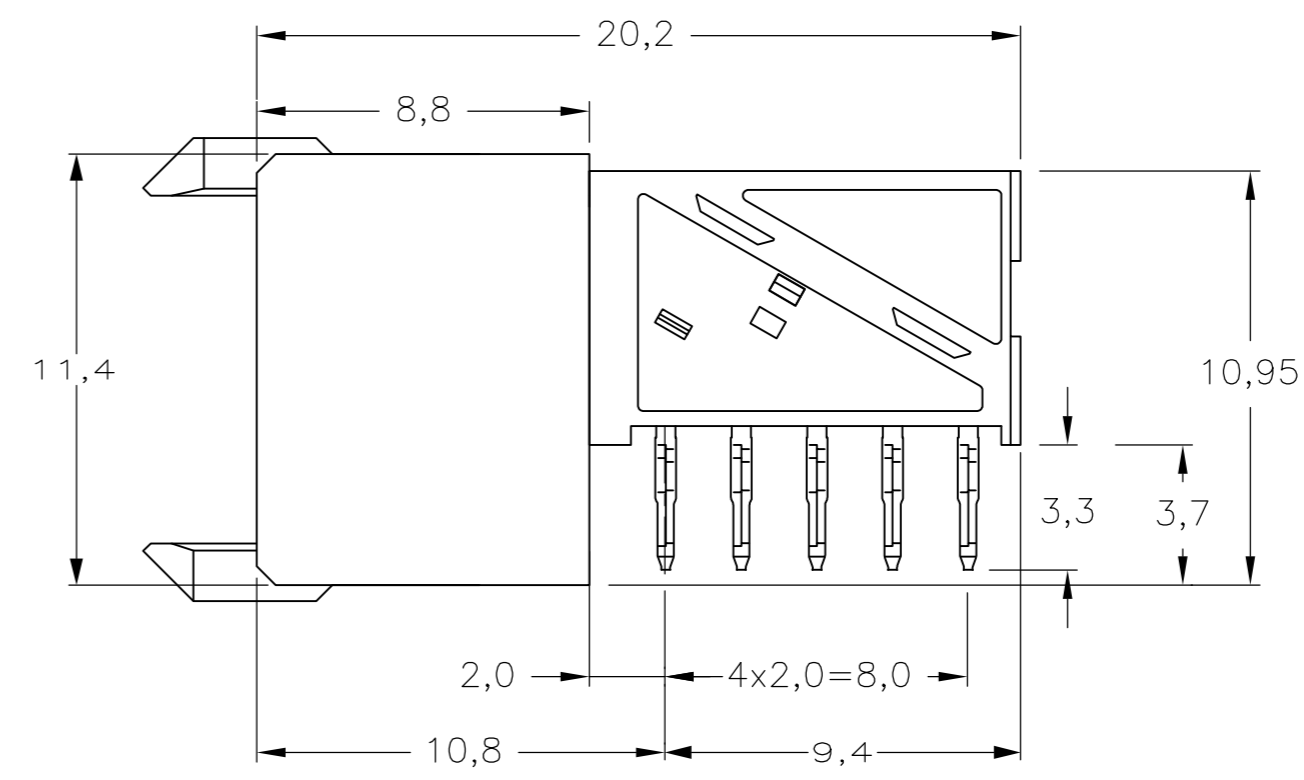
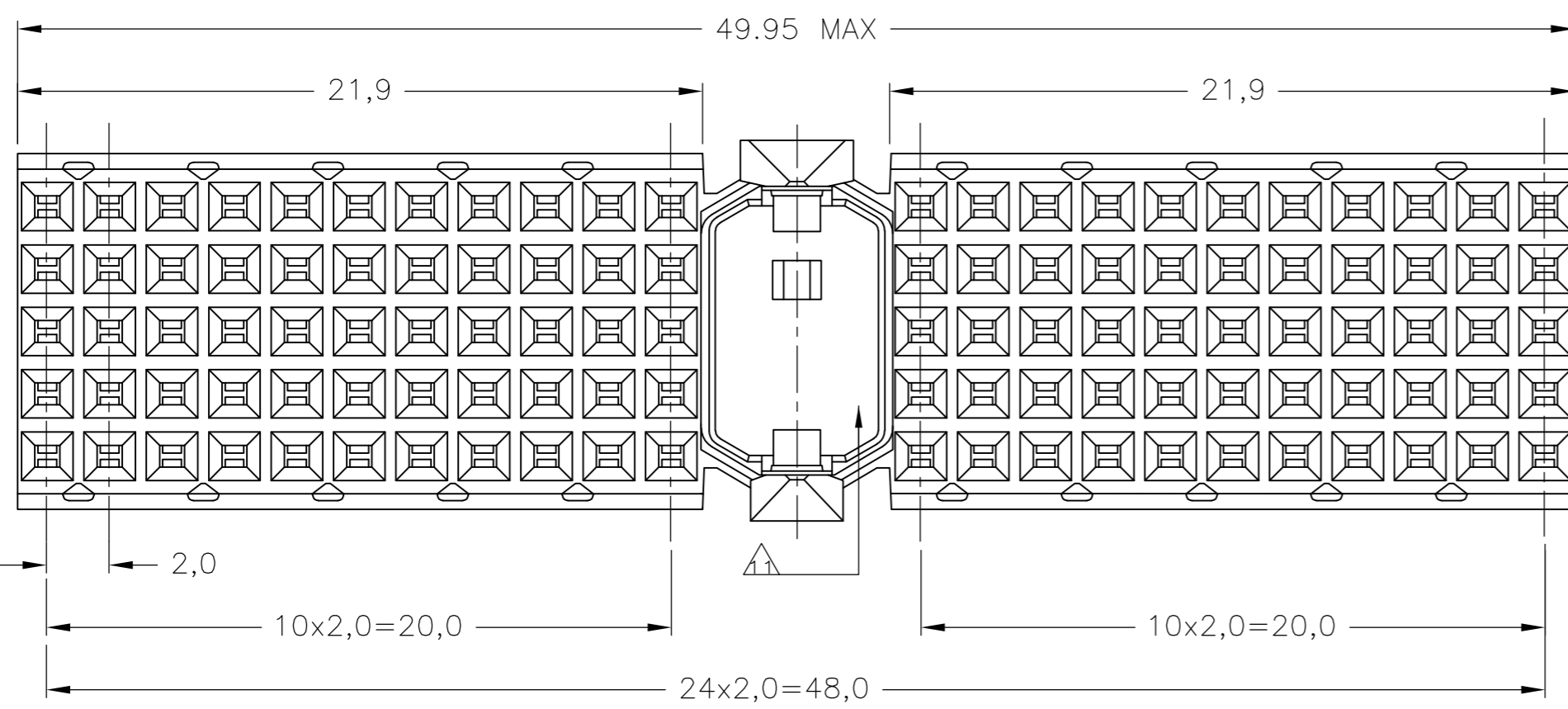
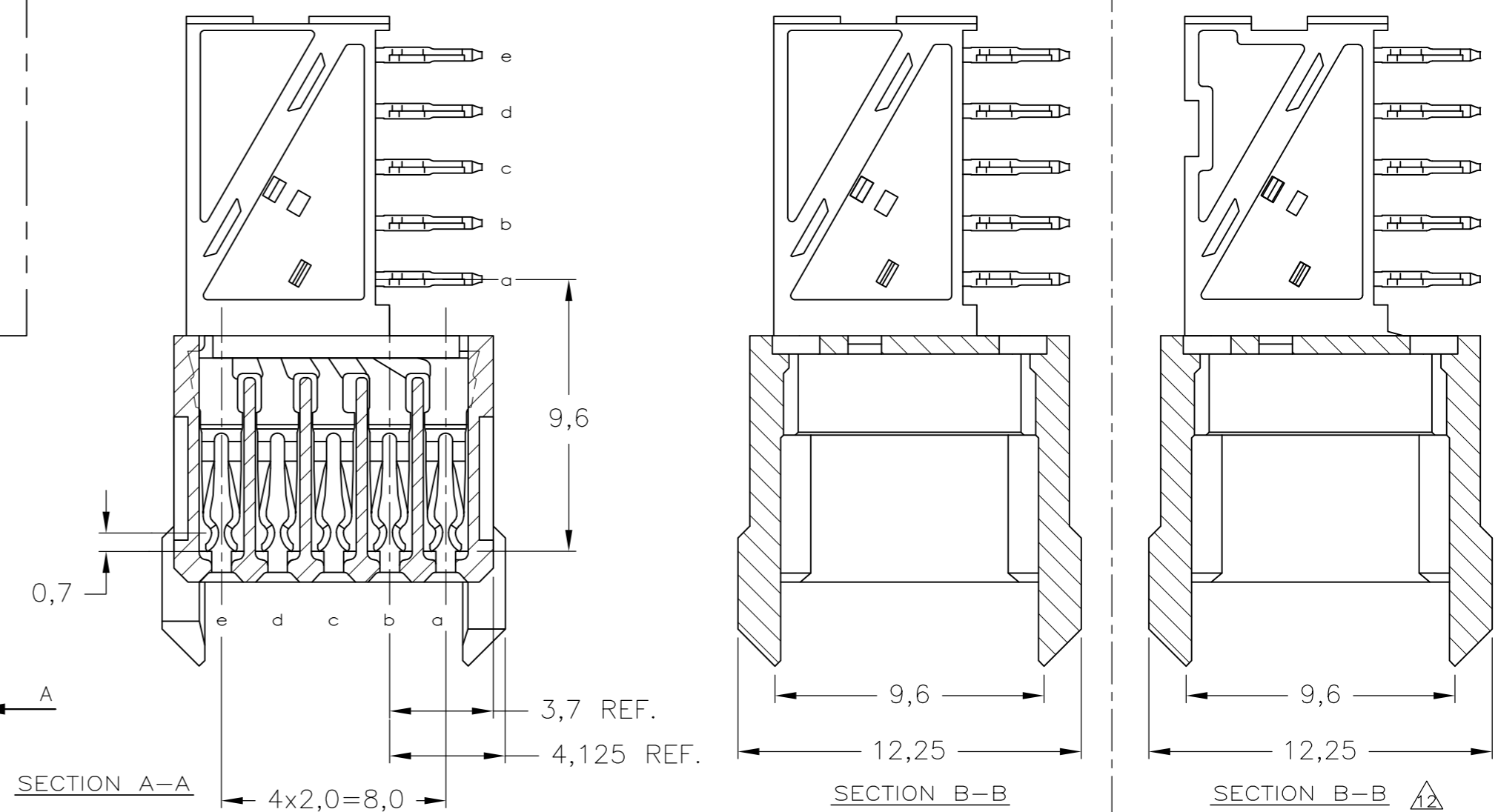
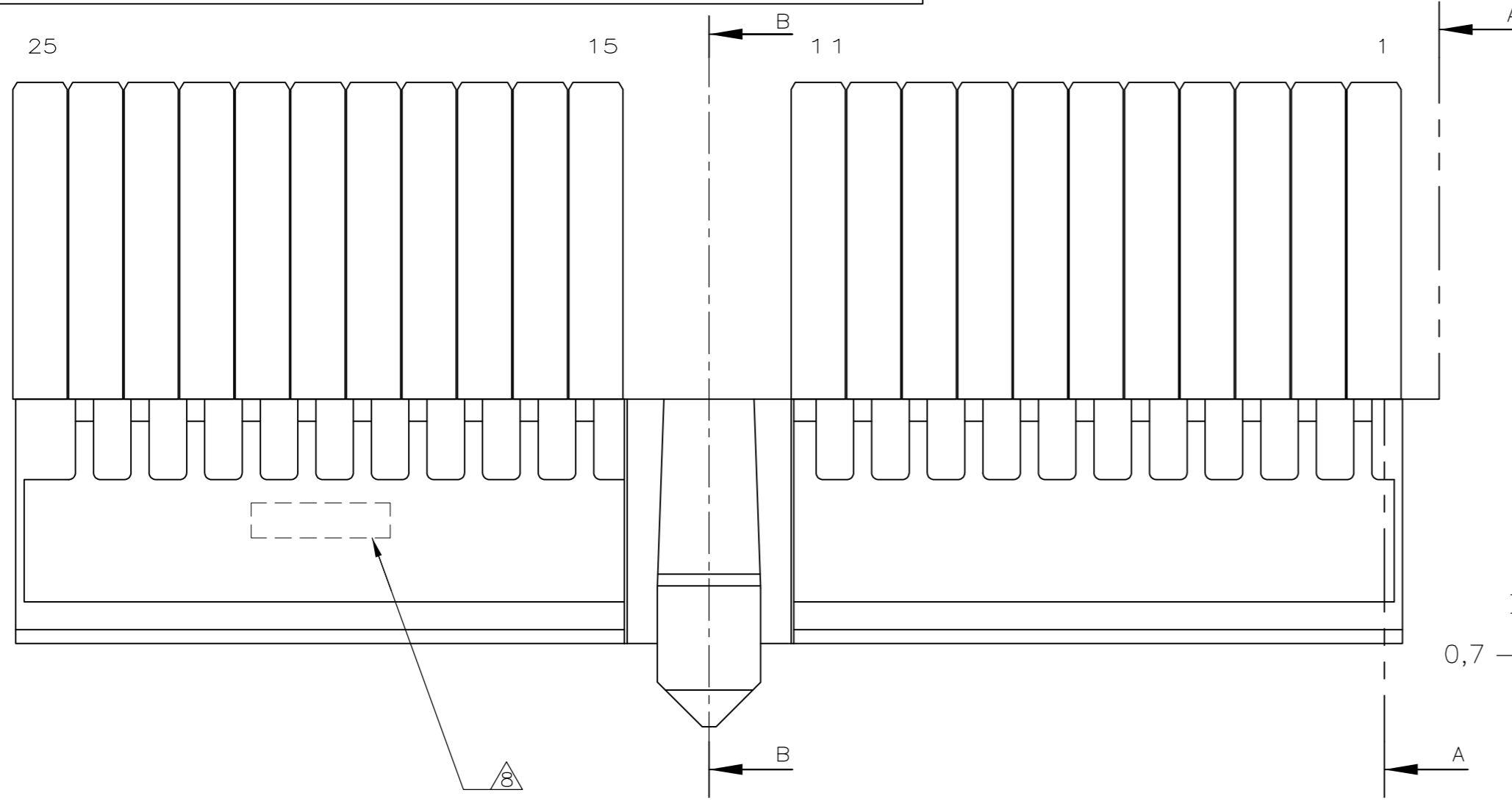
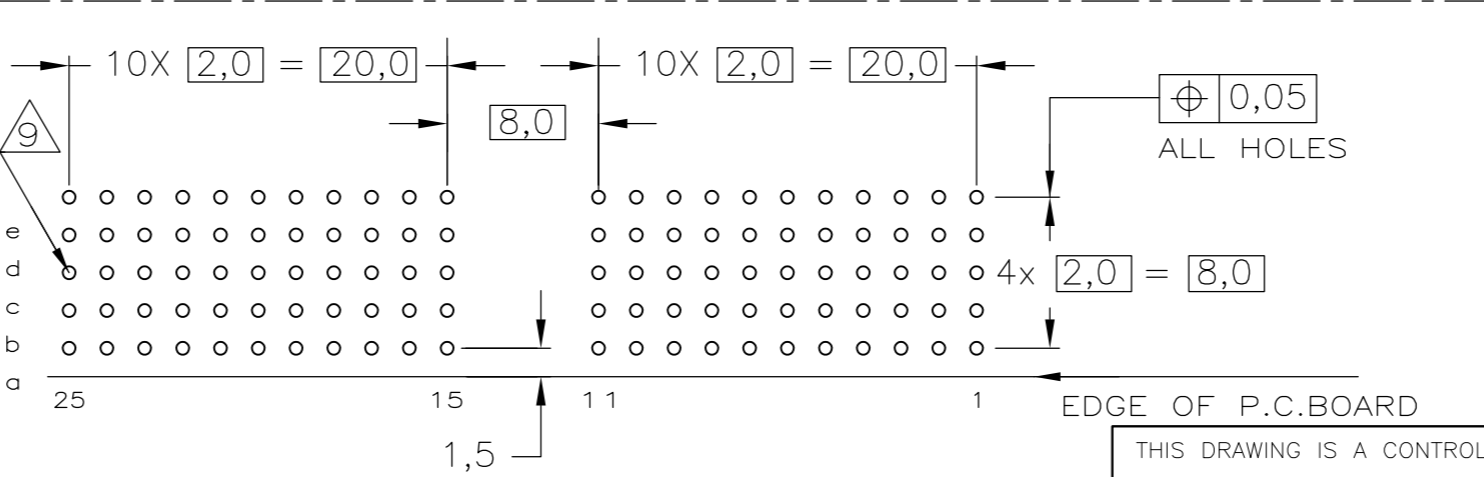


THIS DRAWING IS UNPUBLISHED. RELEASED FOR PUBLICATION
 © COPYRIGHT - By - ALL RIGHTS RESERVED.

LOC		DIST		REVISIONS			
P	LTR	DESCRIPTION	DATE	DWN	APVD		
H	-	E	ECO-12-003005	22FEB2012	SY	MQW	



- NOTES:**
- 1 MATERIAL CONTACT; PHOSPHORBRONZE
 - 2 MATERIAL HOUSING; GLASSFILLED POLYESTER (GRAY) UL-RATING 49V0
 - 3 GENERAL PLATING SPECIFICATION: UNDERPLATING (ENTIRE CONTACT): 1,27µm NICKEL MIN. AND ACTION PIN: 0,5µm TIN MIN. FOR PLATING OF MATING SURFACES SEE APPLICABLE SPECIFICATION REFERENCE FOR EACH DASH NUMBER.
 - 4 CONFORMS TO ALL TESTING ACCORDING IEC 61076-4-101 PERFORMANCE LEVEL 2.
 - 5 CONFORMS TO ALL TESTING ACCORDING IEC 61076-4-101 PERFORMANCE LEVEL 1.
 - 6 CONNECTOR TESTED AND QUALIFIED AGAINST TELCORDIA GR-1217-CORE QUALITY LEVEL III, CENTRAL OFFICE APPLICATIONS.
 - 7 CONNECTOR TESTED AND QUALIFIED AGAINST TELCORDIA GR-1217-CORE QUALITY LEVEL III, UNCONTROLLED ENVIRONMENT APPLICATIONS.
 - 8 CONNECTOR LUBRICATED WITH TELCORDIA GR-1217-CORE APPROVED LUBRICANT.
 - 9 CONNECTOR MARKED WITH PARTNUMBER AND DATECODE. THE MARKING CAN APPEAR ON THE FRONT SIDE OR ON THE BACK SIDE.
 - 10 PLATED-THROUGH HOLES AT 2x2mm SQUARE GRID. 110 HOLES.
 - 11 FITS WITH INTEGRATED GROUND RETURN UPPERSHIELD, BASIC P.N. 5338107 AND INTEGRATED GROUND RETURN LOWERSHIELD, BASIC P.N. 5338108
 - 12 AREA RESERVED FOR CODING KEY, BASIC P.N. 100526
 - 13 CONNECTOR ASSEMBLED WITH ALTERNATE FEMALE CONTACTS.
 - 14 0.76µm MIN. GOLD PLATING AT MATING SURFACES.



SCALE 2.5:1
 COMPONENT SIDE AS SHOWN
 RECOMMENDED PCB-HOLE LAY-OUT

P.C.B. HOLE DIM. ACTION PIN
 FOR DETAILS SEE APPLICATION SPECIFICATION

FINISH	MATERIAL	PARTNUMBER
233		3-5100147-0
26		1-5100147-9
253		5100147-9
24		5100147-4
23		5100147-1

THIS DRAWING IS A CONTROLLED DOCUMENT.

DWN	K.N.KIRAN	05AUG2004
CHK	B.MOOIJ	22SEP2004
APVD	B.MOOIJ	22SEP2004
PRODUCT SPEC	108-19082	
APPLICATION SPEC	114-19029	
WEIGHT	-	
CUSTOMER DRAWING		

TE Connectivity

Z-PACK 2mm HM TYPE A
 110 POS. FEMALE CONNECTOR

SIZE	A2	CAGE CODE	00779	DRAWING NO	C=5100147	RESTRICTED TO	-
SCALE	5:1	SHEET	1 of 1	REV	E		