



EHT-120-01-F-D-SM-LC

EHT-112-01-L-D

**EHT, EC2 SERIES**

(2,00 mm) .0787"

# SHROUDED IDC EJECTOR HEADER

**SPECIFICATIONS**

For complete specifications and recommended PCB layouts see [www.samtec.com?EHT](http://www.samtec.com?EHT)

**Insulator Material:** Black Liquid Crystal Polymer  
**Terminal Material:** Phosphor Bronze  
**Plating:** Sn or Au over 50µ" (1,27 µm) Ni  
**Operating Temp Range:** -55°C to +125°C  
**RoHS Compliant:** Yes

**Processing:** Lead-Free Solderable: Yes  
**SMT Lead Coplanarity:** (0,10 mm) .004" max

**RECOGNITIONS**

For complete scope of recognitions see [www.samtec.com/quality](http://www.samtec.com/quality)



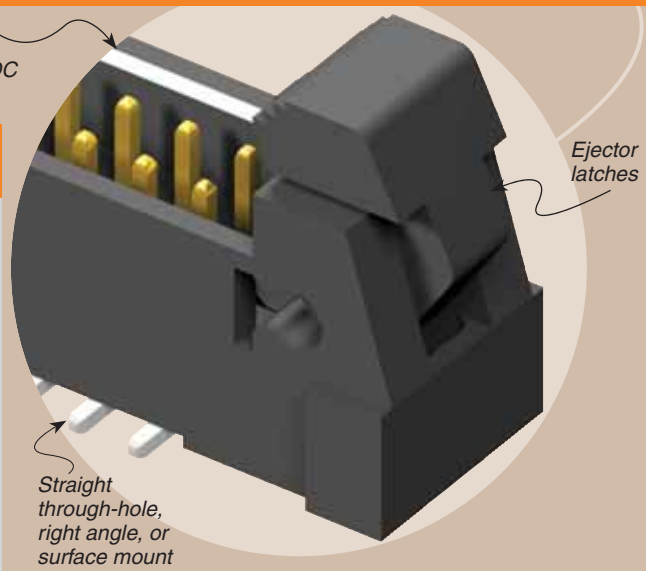
**Mates with:** TCSD

Ten standard sizes mate with common 2 mm IDC cable assemblies

**EJECTOR HEADER CAP**  
(Locks TCSD cable to EHT header)

EC2 — NO. PINS PER ROW

05, 08, 10, 12, 13, 15, 17, 20, 22, 25



EHT — 1 — NO. PINS PER ROW — 01 — PLATING OPTION — D — TAIL OPTION — OTHER OPTION

05, 08, 10, 12, 13, 15, 17, 20, 22, 25

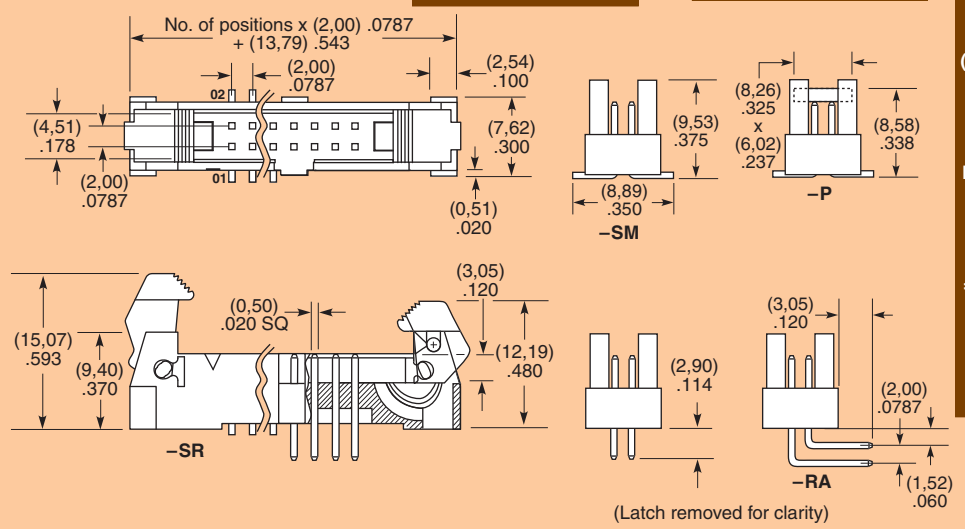
—F = Gold flash on post, Matte Tin on tail  
 —L = 10µ" (0,25 µm) Gold on post, Matte Tin on tail

Leave blank for Through-hole  
 —RA = Right Angle  
 —SM = Surface Mount

—“XX” = Polarized Position  
 —SR = Strain Relief (Leave Blank for no strain relief)  
 —LC = Locking Clip (—SM only) (Manual placement required)  
 —K = (6,50 mm) .256" DIA Polyimide Film Pick & Place Pad (—SM only)  
 —P = Pick & Place Pad (—SM only)  
 —TR = Tape & Reel (—SM only)

**ALSO AVAILABLE**  
(MOQ Required)

- Other platings
- Contact Samtec.



**Note:** Some lengths, styles and options are non-standard, non-returnable.

Due to technical progress, all designs, specifications and components are subject to change without notice.