



DOUGHTY ENGINEERING LTD

# DATA SHEET

**TITLE:**  
ADJUSTABLE GIRDER CLAMP

**PART NOS:**  
T29500 - 75-150MM

**MATERIAL:**  
MILD STEEL

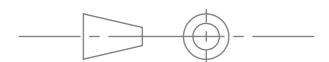
**WEIGHT:**  
1.43 KG

**SWL:**  
500 KG

**FINISH:**  
CRACKLE BLACK  
POWDER PAINT

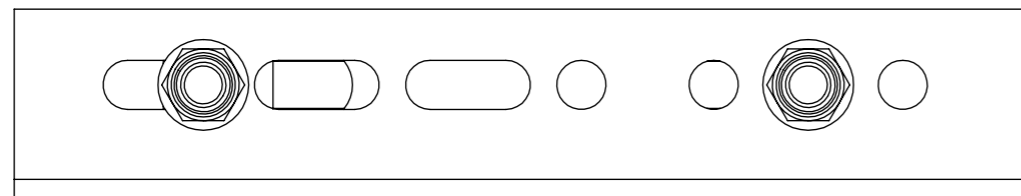
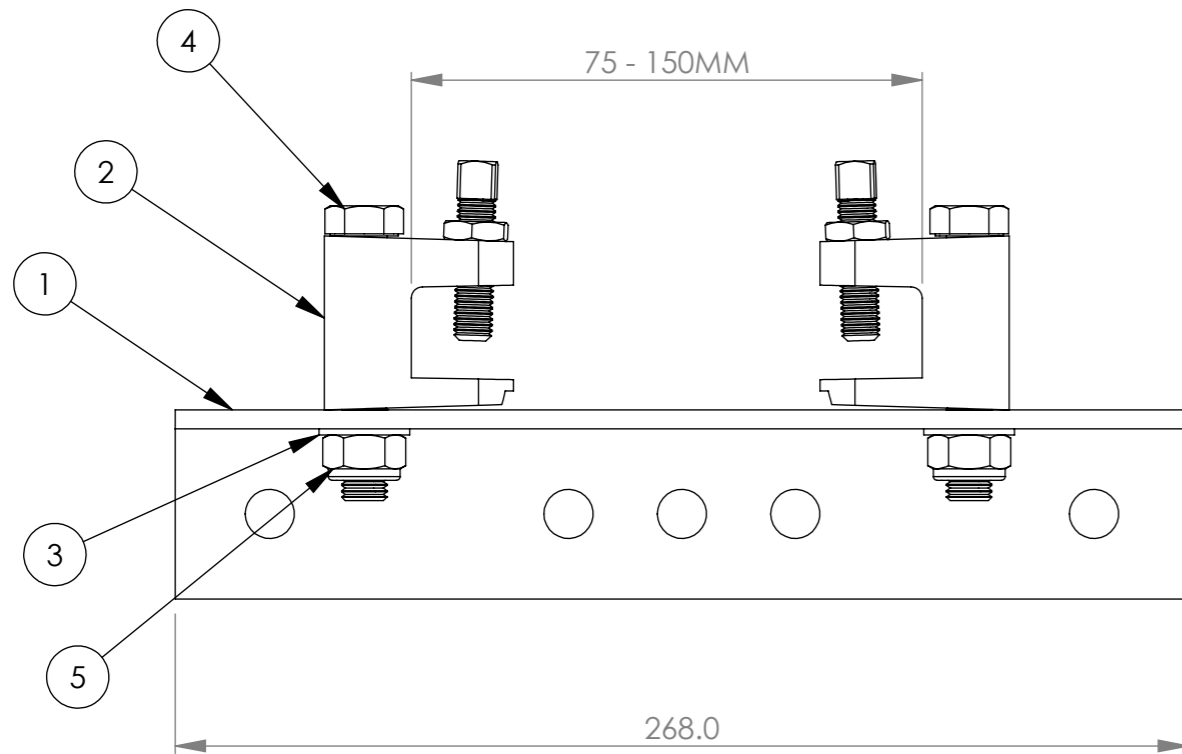
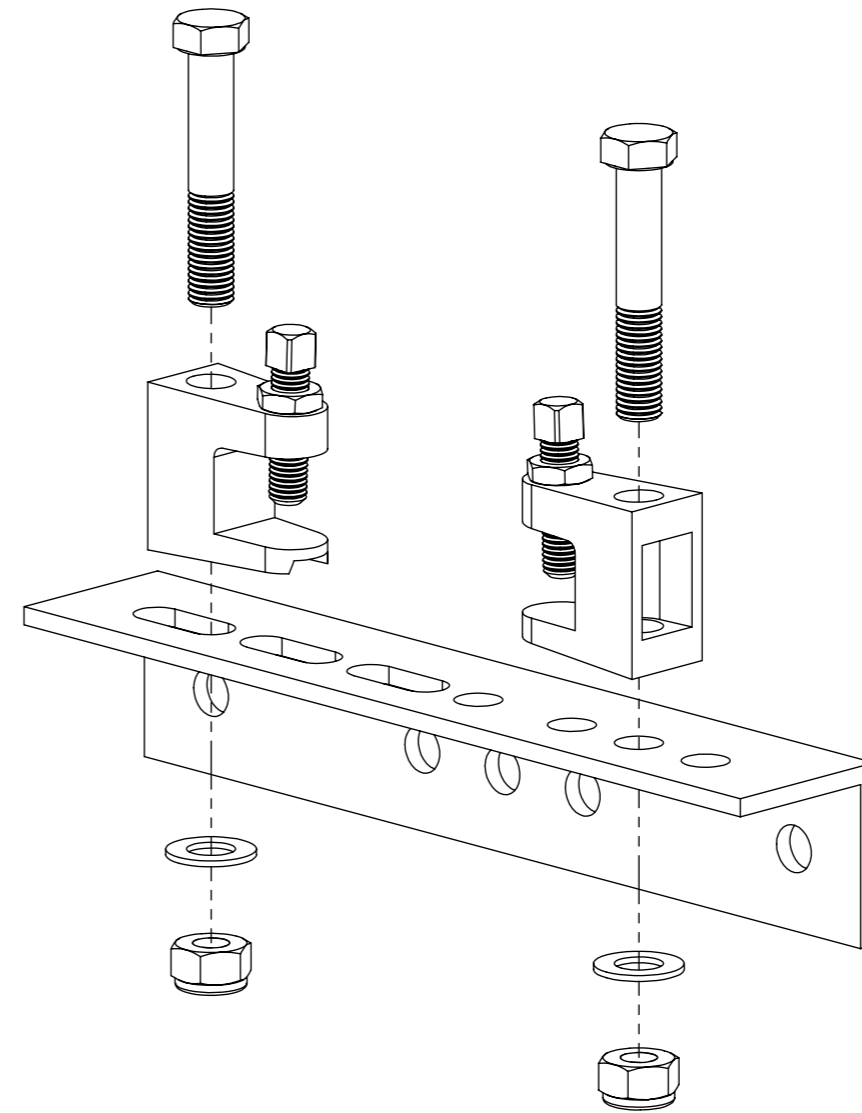
**NOTES:**

**STRICTLY  
FOR  
REFERENCE  
PURPOSES  
ONLY**



THIRD ANGLE PROJECTION

ITEM NO.	PART NUMBER	DESCRIPTION	QTY.
1	TH750	GIRDER CLAMP ANGLE	1
2	T29700	LINDAPTOR FLANGE CLAMP	2
3	F893	M12 FLT B WASHER	2
4	F2524	M12 x 70 BOLT	2
5	F873	M12 NYLOC	2





DOUGHTY ENGINEERING LTD

# DATA SHEET

**TITLE:**  
ADJUSTABLE GIRDER CLAMP

**PART NOS:**  
T29600 - 150 300MM

**MATERIAL:**  
MILD STEEL

**WEIGHT:**  
2.10 KG

**SWL:**  
500 KG

**FINISH:**  
CRACKLE BLACK

**NOTES:**

**STRICTLY  
FOR  
REFERENCE  
PURPOSES  
ONLY**



THIRD ANGLE PROJECTION

ITEM NO.	PART NUMBER	DESCRIPTION	QTY.
1	TH031	GIRDER CLAMP ANGLE	1
2	T29700	LINDAPTOR FLANGE CLAMP	2
3	F2524	M12 x 70 BOLT	2
4	F893	M12 FLT B WASHER	2
5	F873	M12 NYLOC	2

