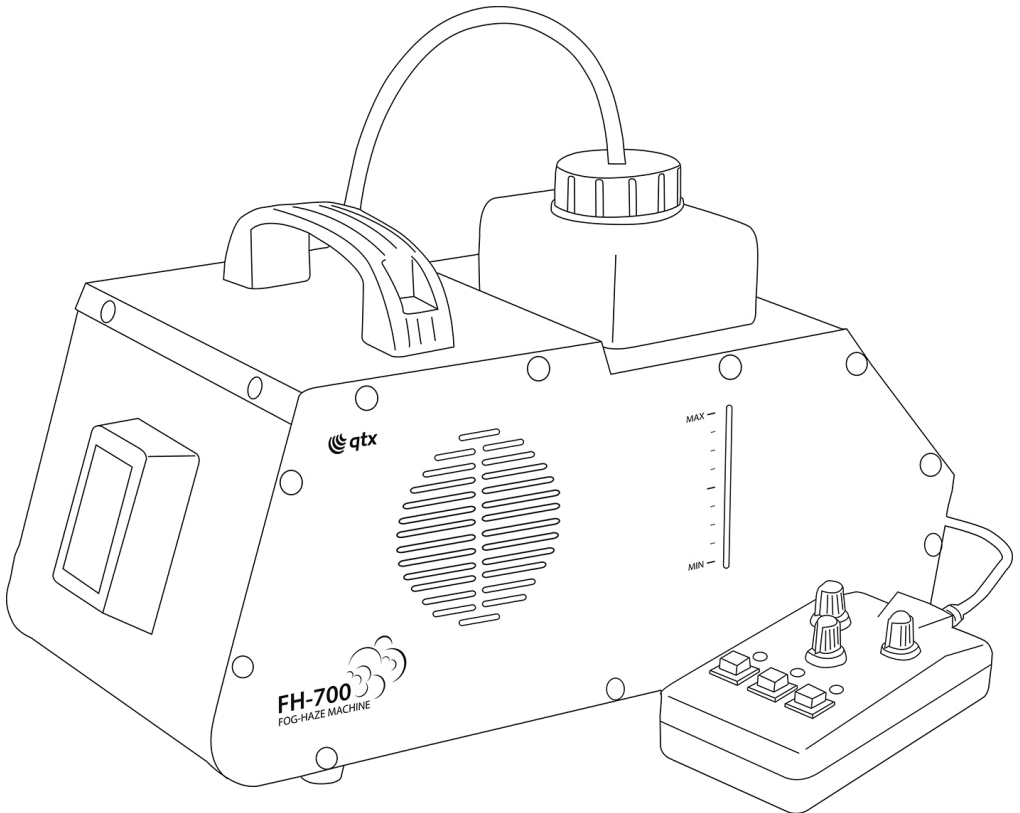


# FH-700

## Fog/Haze Machine

Item ref: 160.458UK

User Manual



## **INTRODUCTION:**

### **FH-700 Fog/Haze Effect Machine**

This mini effects unit produces both a fog and haze. The flow rate and internal rotary fan can be adjusted to produce either thick fog effects or light haze depending on your requirements. Supplied with a handheld timer remote control, making it suitable for a wide variety of applications such as nightclubs, laser shows mobile DJs and theatres.

- 6,000 Cu Ft (170m<sup>3</sup>) per minute (approx.)
- Anti-jamming pipe technology
- Intelligent microcomputer keeps the temperature high
- Removable tank for easy maintenance
- Robust metal housing
- Timer output control included
- High grade haze fluid should be used with this machine (we recommend 160.590 or 160.591)

**PACKAGE CONTENTS:**

Please check the contents to ensure that the product has been received in good condition.

FZ-700 Unit x 1pc	User's Guide x 1pc
Power Cord x 1pc	Remote Control x 1pc

If you find any accessory is missing or the machine has arrived with any problems, please contact your local dealer at once. Do not try to fix this item yourself or you will lose the warranty. Please keep the original package and invoice for any possible replacement or returned demand.

**RECOMMENDED FLUID:**

For the FH-700 haze machine we strongly recommend the following fluid which has been specifically formulated to perform best with any heater based haze machines.

QTX Ref Code	Description	Size	Results
160.590UK	High quality professional Haze fluid	1 Litre	High quality ultra fine mist
160.591UK		5 Litre	

## SETUP:

1. Unpack the FH-700 unit.
2. Unscrew the top cap of the tank and remove to fill with the recommended haze fluid.
3. Replace the bottle and screw the cap securely ensuring the pipe is fed down to the bottom of the bottle so a consistent flow of fluid is supplied to the machine.
4. Connect the remote control.
5. Connect the IEC mains plug and power up.
6. Heat up time is usually between 5-6 minutes. Please ensure no button is pressed during the heat up time. When the machine is ready the LED light on the remote control will illuminate.
7. Turn the output to max and press the green button on the remote control for 5 seconds so the fluid has a chance to flow through the heater block making it ready to use.
8. After this adjust the fan speed on the unit and the output on the remote control to find the level you desire. It is recommended to produce haze/fog with small pauses in between so that the temperature is maintained and the thermostat doesn't switch off.


## CAUTION! TO PREVENT MORTAL ELECTRICAL RISK AND LONG LIFE OPERATION:

For your safety, please kindly pay attention to all of the warnings listed below:

- Always plug in the power plug last and disconnect from the mains when the device is not in use or before cleaning.
- Do not install and operate the device in rain or extreme heat, moisture or dusty environments.
- This device is for indoor use only and in a dry environment.
- Do not switch on immediately but wait until it reaches to room temperature if the device has been exposed to drastic temperature fluctuations.
- Do not shake the device and avoid brute force when installing or operating.
- Do not use the device during thunderstorms and please disconnect the power.
- Do not use solvents or aggressive detergent to clean the device. Use a soft and clean cloth.
- Do not modify the device or the connected power cord without authorisation.

## CONNECT WITH POWER SUPPLY – THE GROUND WIRE MUST BE CONNECTED:

Use the plug to connect to the main power supply as follows:

Wire	Connection	International signal
Brown	Live	L
Blue	Neutral	N
Yellow /Cyan	Earth	

## QUICK TROUBLE SHOOTING

### If the unit is not functioning properly

- Check if main power is on.
- Check the fuse hasn't blown.
- Check the unit isn't in DMX mode.
- Check there is fluid in the tank and the pipe is pushed down to the bottom of the bottle
- If there is blockage use distilled water or haze machine cleaning fluid

## REPLACING FUSE

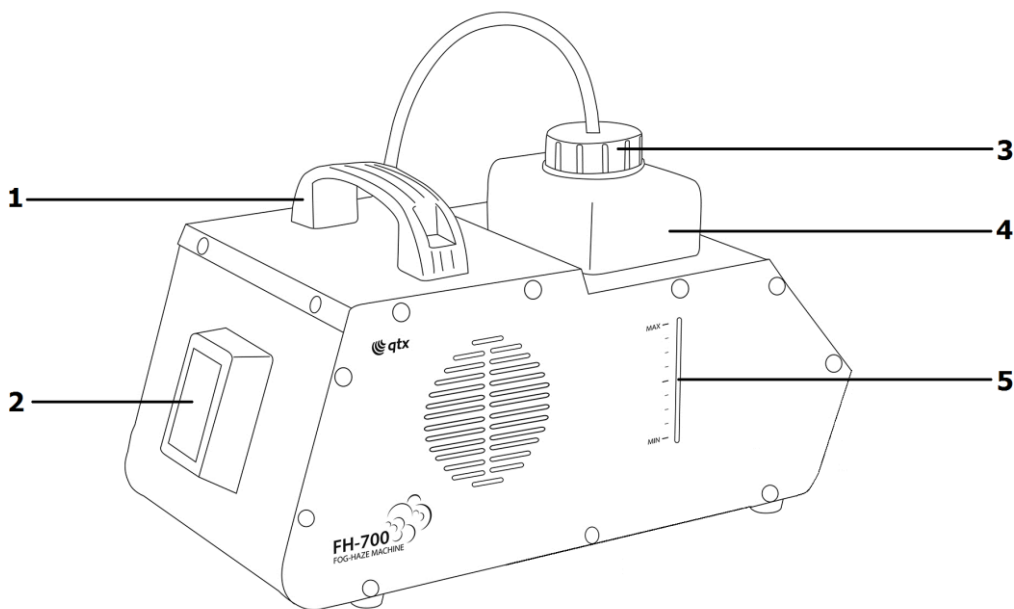
Disconnect from the main power supply first. Then remove the fuse holder above the IEC Socket to reveal the fuse. Replace the correct fuse rating as stated on lighting or user guide. Then, lock the fuse holder cover back into place.

## GENERAL MAINTENANCE

To maintain optimum performance and minimize wear, the item should be cleaned frequently. Usage and environment are contributing factors in determining frequency. As a general rule, fixtures should be cleaned after use to avoid dust build-up and blockages, which can result in poor performances, overheating and breakages. Be sure to power off fixture before conducting maintenance.

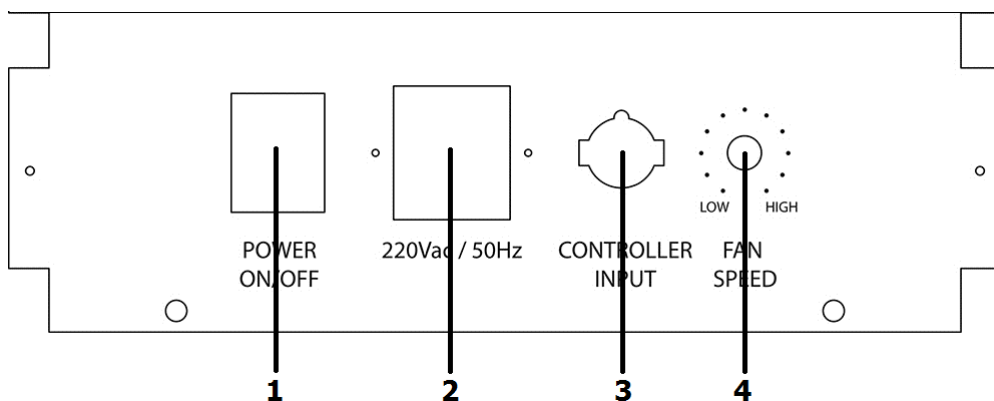
Unplug fixture from power. Use a vacuum or air compressor and a soft brush to remove dust collected on external vents and internal components. Clean the external case when the fixture is cold with a dry cloth or tissue, and drag dirt and grime to the outside case.

## LAYOUT FH-700:



1. Carry handle
2. Haze nozzle output
3. Bottle cap and feed tube
4. Removable bottle
5. Fill level indication

## REAR PANEL FH-700:

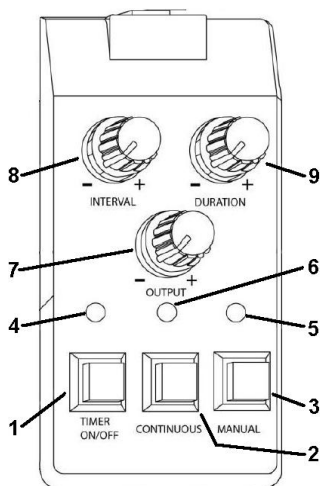


1. Power ON/OFF
2. Power IN (Use IEC lead provided)
3. Controller connection
4. Fan Speed\*

\*Fan Speed control: The FH-700 features a manually adjustable fan to control the distance the fog / haze can be dispersed.

Generally low speeds are suitable for small areas where as higher speeds are for larger areas.

## TIMER CONTROLLER



1. Timer on/off button
2. Continuous output
3. Manual override button
4. Timer LED indicator (Illuminated Yellow when timer active)
5. Manual ready indicator (Illuminates Green when ready)
6. Power indicator (Illuminates red when power is on)
7. Adjust the output level between 0-100%. Generally 0-30% is haze effect and 31-100% is Fog level output.

**NOTE:** *The below controls are only used when in timer mode*

8. Adjust the interval gap between each release (between 0 – 30 Min approximately)
9. Adjust the duration the Haze / Haze is released at each interval (between 0 – 15 seconds approximately)

For best results select "continuous" and adjust output to achieve desired effect, note it can take around 30 seconds for the machine to produce the correct output.



## Bubble Fluid

Stock Code	Volume	Description	Results	For use with:
160.574UK	1 Litre	Bubble fluid	Light bubbles that last longer	160.562UK 160.573UK 160.571UK 160.570UK
160.575UK	5 Litre			
160.576UK	1 Litre	UV bubble fluid	Light bubbles that glow when under UV Light	
160.577UK	5 Litre			

## Snow Fluid

Stock Code	Volume	Description	Results	For use with:
160.578UK	1 Litre	Snow Fluid	High quality snow lasts 30% longer than other standard fluids	160.568UK
160.579UK	5 Litre			

## Smoke Fluid

Stock Code	Volume	Description	Colour	Results			For use with:
				Dispersion	Density	Stability	
160.643UK	1 Litre	Standard smoke fluid	Yellow	Quick	Light	Low	160.452UK 160.543UK 160.449UK 160.428UK 160.429UK 160.430UK Or for best results use any machine up to 900W
160.582UK	5 Litre						
160.587UK	1 Litre	High grade smoke fluid	Orange	Slow	Medium	Good	160.455UK 160.437UK 160.446UK Or for best results use any machines between 1000 - 5000W
160.588UK	5 Litre						
160.644UK	1 Litre	High quality smoke fluid	Pink	Slow	High	Good	160.455UK 160.437UK 160.446UK Or for best results use any machines between 1000 - 5000W
160.583UK	5 Litre						
160.589UK	5 Litre	Premium smoke fluid	Clear	Slow	V. High	V. Good	All smoke machines
160.670UK	20ml	Smoke machine cleaner	Clear	Longer life from your smoke machine			

## Haze

Stock Code	Volume	Description	Colour	Results			For use with:
				Dispersion	Density	Stability	
160.590UK	1 Litre	High quality haze fluid	Clear	Slow	High	Good	160.450UK, 160.451UK & 160.454UK
160.591UK	5 Litre						

## TECHNICAL SPECIFICATION

<b>Power supply</b>	230Vac, 50Hz
<b>Fuse</b>	F5A
<b>Power</b>	700W
<b>Re-heat time</b>	5-6 min (approx.)
<b>Haze Output</b>	6,000 Cu Ft (170m <sup>3</sup> ) per minute
<b>Tank capacity</b>	2.5 Litres
<b>Dimensions</b>	400 x 215 x 210mm
<b>Weight</b>	5.3kg

## DISPOSAL:



Please disposal of the unserviceable device according to the current statutory requirements.