

PROLINE™-PC, TYPE 12 **A-T-O**

INDUSTRY STANDARDS

 UL 508A Listed; Type 12; File Number E61997
 cUL Listed per CSA C22.2 No 94; Type 12; File Number E61997

 NEMA/EEMAC Type 12
 CSA File Number 42186: Type 12
 VDE IP55
 IEC 60529, IP55

APPLICATION

PROLINE™ -PC Modular Enclosures are ideal for applications that require housing standard PCs and keyboards. A modular system, these enclosures provide multiple configuration possibilities— simply add components to the frame to create a single enclosure, or gang multiple enclosures for larger or more complex applications.

FEATURES

- The frame is enclosed with solid sides, a solid top and a 100-mm solid base.
- Three doors, two in front and one in back, provide convenient access
- The sealed keyboard compartment maintains enclosure integrity when the compartment door is opened
- The 19-in. diagonal top window door, hinged on the left, offers viewing access for a variety of monitor sizes and has a small flush swing handle with keylock for system security
- The vented frame shelf in the top compartment is constructed of 14 gauge steel and is painted with RAL 7035 textured light-gray polyester powder paint
- The PROLINE keyboard compartment includes a locking feature, an angled palm rest, a cable access port for wiring and integral mouse pad holders for both left-handed and right-handed people
- The accessory front opening accommodates a number of optional components, such as keyboard shelves and control compartments. See the attached drawing for dimensions and the Accessory Front Options section for available accessories.
- The bottom compartment includes a solid door hinged on the left that has a small flush swing handle with keylocking. This compartment can be used to install computer equipment, panel-mounted equipment or rack mounted control systems.

BULLETIN: P20PC, P20S
Standard Product Mild Steel

Catalog Number	AxBxC mm/in.	M mm/in.	N mm/in.	P mm/in.	R mm/in.	Top Door Opening, Height mm/in.	Top Door Opening, Width mm/in.	Bottom Door Opening, Height mm/in.	Bottom Door Opening, Width mm/in.
PPC1666	1688 x 608 x 599	343	366	586	1363	558	536	739	536
	66.46 x 23.94 x 23.58	13.50	14.41	23.07	53.66	21.97	21.10	29.09	21.10
PPC1668	1688 x 608 x 799	343	366	586	1363	558	536	739	536
	66.46 x 23.94 x 31.46	13.50	14.41	23.07	53.66	21.97	21.10	29.09	21.10
PPC1686	1688 x 808 x 599	343	566	586	1363	558	736	739	736
	66.46 x 31.81 x 23.58	13.50	22.28	23.07	53.66	21.97	28.98	29.09	28.98
PPC1866	1888 x 608 x 599	343	366	786	1463	758	536	739	536
	74.33 x 23.94 x 23.58	13.50	14.41	30.94	57.60	29.84	21.10	29.09	21.10
PPC1868	1888 x 608 x 799	343	366	786	1563	958	536	739	536
	74.33 x 23.94 x 31.46	13.50	14.41	30.94	61.54	37.72	21.10	29.09	21.10
PPC1886	1888 x 808 x 599	343	566	786	1563	958	536	739	536
	74.33 x 31.81 x 23.58	13.50	22.28	30.94	61.54	37.72	21.10	29.09	21.10
PPC2066	2088 x 608 x 599	343	366	986	1563	958	736	739	736
	82.20 x 23.94 x 23.58	13.50	14.41	38.82	61.54	37.72	28.98	29.09	28.98
PPC2068	2088 x 608 x 799	343	366	986	1563	958	736	739	736
	82.20 x 23.94 x 31.46	13.50	14.41	38.82	61.54	37.72	28.98	29.09	28.98
PPC2086	2088 x 808 x 599	343	566	986	1563	958	736.1	738.9	736.1
	82.20 x 31.81 x 23.58	13.50	22.28	38.82	61.54	37.72	28.98	29.09	28.98
PPC2088	2088 x 808 x 799	343	566	986	1563	958	736.1	738.9	736.1
	82.20 x 31.81 x 31.46	13.50	22.28	38.82	61.54	37.72	28.98	29.09	28.98

100-mm solid base is included in the A dimension.

Standard Product Stainless Steel

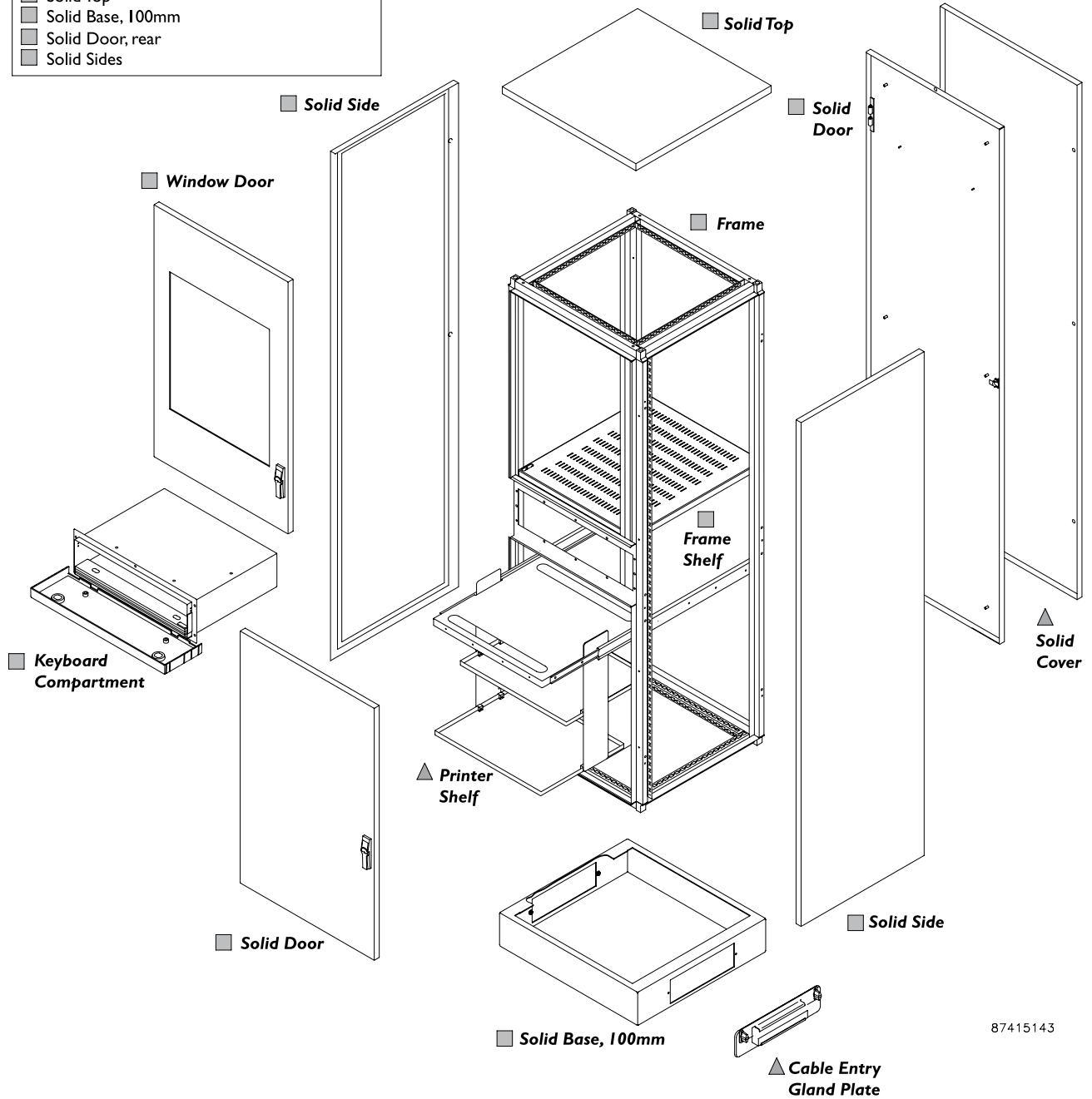
Catalog Number	AxBxC mm/in.	M mm/in.	N mm/in.	P mm/in.	R mm/in.	Top Door Opening Height mm/in.	Top Door Opening Width mm/in.	Bottom Door Opening Height mm/in.	Bottom Door Opening Width mm/in.
PPC1666SS	1688 x 608 x 599	343	366	586	1363	558	536	739	536
	66.46 x 23.94 x 23.58	13.50	14.41	23.07	53.66	21.97	21.10	29.09	21.10

100-mm solid base is included in the A dimension.

- Standard Configuration**
- Frame
 - Frame Shelf, top compartment
 - Keyboard Compartment
 - Window Door, top front
 - Solid Door, bottom front
 - Solid Top
 - Solid Base, 100mm
 - Solid Door, rear
 - Solid Sides

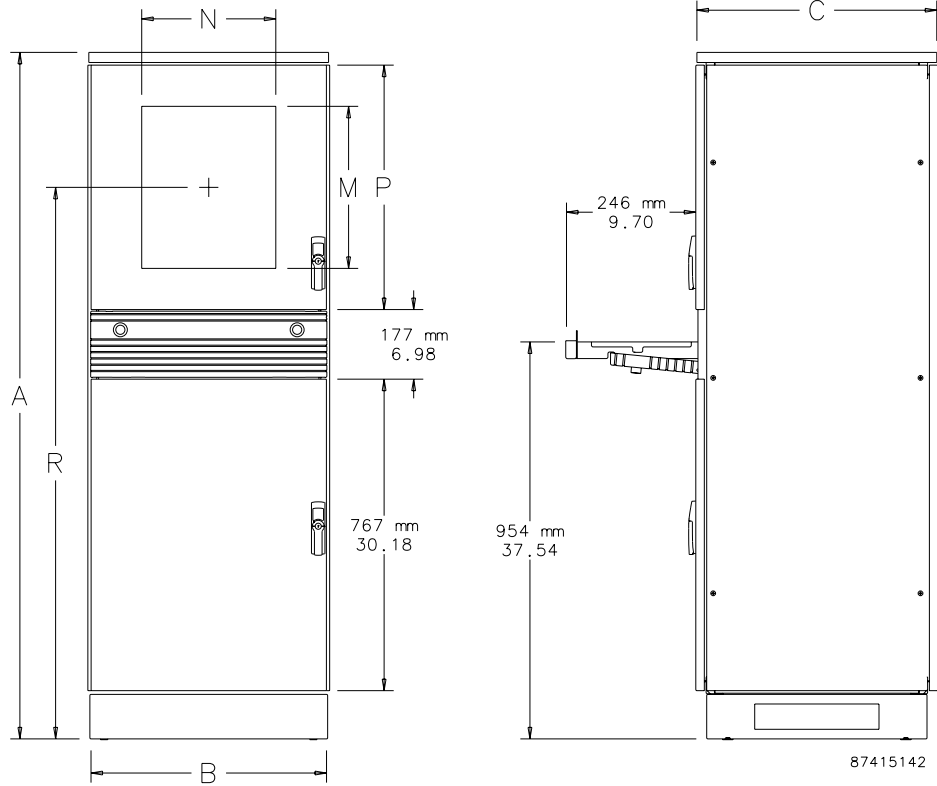
- Optional Components**
- ▲ A optional components may be ordered separately. Components labeled **▲** may be included in an **▲** configuration.

NOTE:
PFPC_____ frames have three front openings for top, center, and bottom modular components.

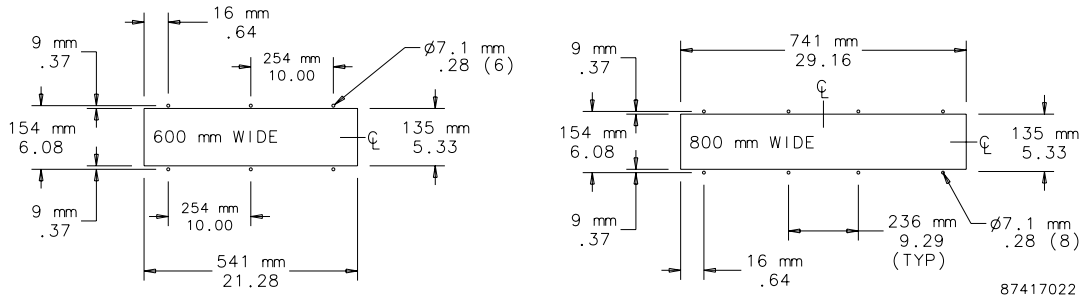


87415143

PROLINE-PC Modular Enclosure

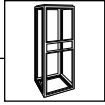

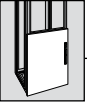
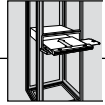
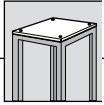


Accessory Front Opening Mounting Cutout

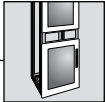

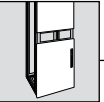
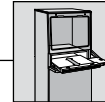
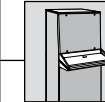
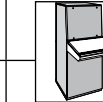
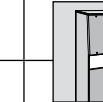


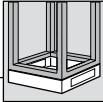
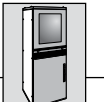
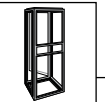
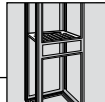
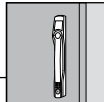
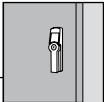
SELECTION MATRIX

Component Summary

					
Standard Assembled Enclosure Catalog Number	Frame	Window Door (Top)	Solid Door (Bottom)	Keyboard Compartment	Solid Top
PPC1666	PFPC1666	PDWT86PC	PDS86	PKBC6R	PT66
PPC1668	PFPC1668	PDWT86PC	PDS86	PKBC6R	PT68
PPC1686	PFPC1686	PDWT88PC	PDS88	PKBC8R	PT86
PPC1866	PFPC1866	PDWT96PC	PDS86	PKBC6R	PT66
PPC1868	PFPC1868	PDWT96PC	PDS86	PKBC6R	PT68
PPC1886	PFPC1886	PDWT98PC	PDS88	PKBC8R	PT86
PPC2066	PFPC2066	PDWT106PC	PDS86	PKBC6R	PT66
PPC2068	PFPC2068	PDWT106PC	PDS86	PKBC6R	PT68
PPC2086	PFPC2086	PDWT108PC	PDS88	PKBC8R	PT86
PPC2088	PFPC2088	PDWT108PC	PDS88	PKBC8R	PT88

Door, Cover and Front Options

								
	Frame Catalog Number	Window Doors	Covers	Solid Doors	Keyboard Compartment	Keyboard Shelf	Consolet Compartment	Access Cover
Top Front	PFPC1666	PDWT86PC	PCST86PC	PDST86PC				
	PFPC1668	PDWT86PC	PCST86PC	PDST86PC				
	PFPC1686	PDWT88PC	PCST88PC	PDST88PC				
	PFPC1866	PDWT96PC	PCST96PC	PDST96PC				
	PFPC1868	PDWT96PC	PCST96PC	PDST96PC				
	PFPC1886	PDWT98PC	PCST98PC	PDST98PC				
	PFPC2066	PDWT106PC	PCST106PC	PDST106PC				
	PFPC2068	PDWT106PC	PCST106PC	PDST106PC				
	PFPC2086	PDWT108PC	PCST108PC	PDST108PC				
PFPC2088	PDWT108PC	PCST108PC	PDST108PC					
Middle Front	PFPC1666				PKBC6R	PKBS6	PCC6	PCS6
	PFPC1668				PKBC6R	PKBS6	PCC6	PCS6
	PFPC1686				PKBC8R	PKBS8	PCC8	PCS8
	PFPC1866				PKBC6R	PKBS6	PCC6	PCS6
	PFPC1868				PKBC6R	PKBS6	PCC6	PCS6
	PFPC1886				PKBC8R	PKBS8	PCC8	PCS8
	PFPC2066				PKBC6R	PKBS6	PCC6	PCS6
	PFPC2068				PKBC6R	PKBS6	PCC6	PCS6
	PFPC2086				PKBC8R	PKBS8	PCC8	PCS8
PFPC2088				PKBC8R	PK BS8	PCC8	PCS8	
Bottom Front	PFPC1666	PDWG86	PCS86	PDS86				
	PFPC1668	PDWG86	PCS86	PDS86				
	PFPC1686	PDWG88	PCS88	PDS88				
	PFPC1866	PDWG86	PCS86	PDS86				
	PFPC1868	PDWG86	PCS86	PDS86				
	PFPC1886	PDWG88	PCS88	PDS88				
	PFPC2066	PDWG86	PCS86	PDS86				
	PFPC2068	PDWG86	PCS86	PDS86				
	PFPC2086	PDWG88	PCS88	PDS88				
PFPC2088	PDWG88	PCS88	PDS88					

					
Solid Base (100mm)	Solid Sides ^a	Solid Door (Rear)	Frame Shelf	Flush Pushbutton Handle (keylock)	Small Flush Swing Handle
PB166	PSS166	PDS166	PFSH66	PFHKBL	PSHKBL
PB168	PSS168	PDS166	PFSH68	PFHKBL	PSHKBL
PB186	PSS166	PDS168	PFSH86	PFHKBL	PSHKBL
PB166	PSS186	PDS186	PFSH66	PFHKBL	PSHKBL
PB168	PSS188	PDS186	PFSH68	PFHKBL	PSHKBL
PB186	PSS186	PDS188	PFSH86	PFHKBL	PSHKBL
PB166	PSS206	PDS206	PFSH66	PFHKBL	PSHKBL
PB168	PSS208	PDS206	PFSH68	PFHKBL	PSHKBL
PB186	PSS206	PDS208	PFSH86	PFHKBL	PSHKBL
PB188	PSS208	PDS208	PFSH88	PFHKBL	PSHKBL

^a Order two.

FRAMES **A-T-O**

PROLINE-PC Frames come in a broad range of sizes to accommodate your PC applications.

BULLETIN: P20PC

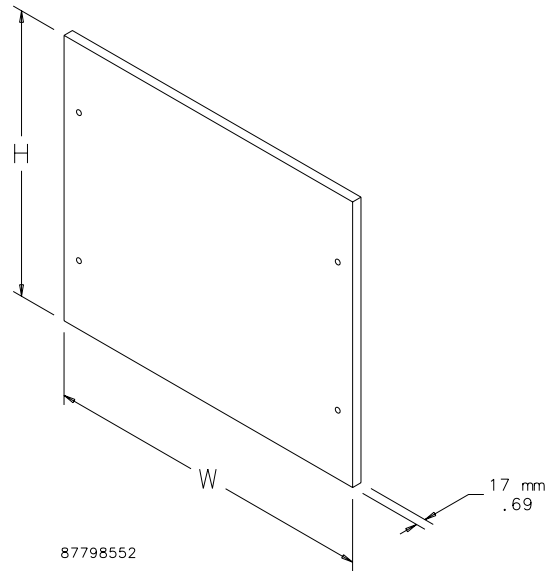
Catalog Number	AxBxC in.	AxBxC mm
PFPC1666	62.20 x 23.58 x 23.15	1580 x 599 x 588
PFPC1668	62.20 x 23.58 x 31.02	1580 x 599 x 788
PFPC1686	62.20 x 31.46 x 23.15	1580 x 799 x 588
PFPC1866	70.08 x 23.58 x 23.15	1780 x 599 x 588
PFPC1868	70.08 x 23.58 x 31.02	1780 x 599 x 788
PFPC1886	70.08 x 31.46 x 23.15	1780 x 799 x 588
PFPC2066	77.95 x 23.58 x 23.15	1980 x 599 x 588
PFPC2068	77.95 x 23.58 x 31.02	1980 x 599 x 788
PFPC2086	77.95 x 31.46 x 23.15	1980 x 799 x 588
PFPC2088	77.95 x 31.46 x 31.02	1980 x 799 x 788

COVERS FOR UPPER FRONT **A-T-O**

Front Covers for the upper top opening are finished with textured light-gray RAL 7035 powder paint (except stainless steel). Noted sizes also available in stainless steel finish. Covers are secured with four semi-flush cover screws. Seamless foam-in-place gasket assures water-tight and dust-tight seal. Covers include grounding stud. All mounting hardware is furnished.

BULLETIN: P20PC, P20S

Catalog Number	Type	Gauge	H mm/in.	W mm/in.	Fits PC Frame
PCST86PC	Steel	16	586 23.07	592 23.31	1600 x 600
PCST86PCSS	Stainless Steel	16	586 23.07	592 23.31	1600 x 600
PCST96PC	Steel	16	786 30.94	592 23.31	1800 x 600
PCST106PC	Steel	16	986 38.82	592 23.31	2000 x 600
PCST106PCSS	Stainless Steel	16	986 38.82	592 23.31	2000 x 600
PCST98PC	Steel	14	786 30.94	792 31.18	1800 x 800
PCST108PC	Steel	14	986 38.82	792 31.18	2000 x 800

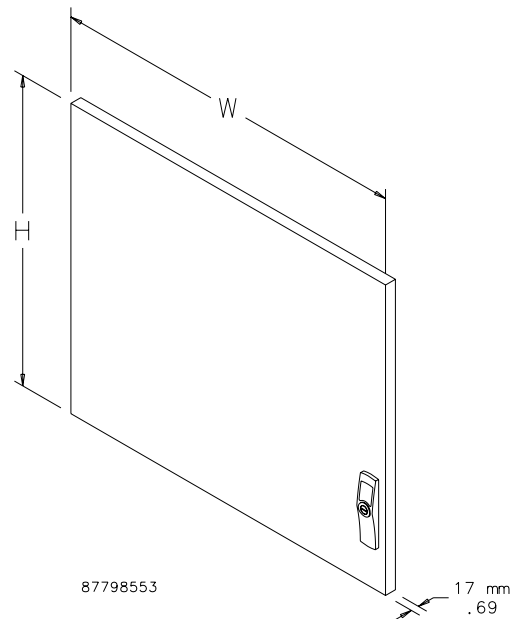


DOORS FOR UPPER FRONT **A-T-O**

Doors fit on the upper front of the PC frame and are hinged on the left side. A 2-point latch system is operated by a Small Flush Bezel with tool-to-open insert located on the lower right side of the door. Other inserts and a Flush Swing Handle are also available. Doors have foam-in-place gaskets and ground studs. Doors are finished with RAL 7035 textured light-gray RAL 7035 powder paint (except stainless steel). Noted sizes also available in stainless steel.

BULLETIN: P20PC, P20S

Catalog Number	Type	Gauge	H mm/in.	W mm/in.	Fits PC Frame
PDST86PC	Steel	16	586 23.07	591 23.27	1600 x 600
PDST86PCSS	Stainless Steel	16	586 23.07	591 23.27	1600 x 600
PDST96PC	Steel	16	786 30.94	591 23.27	1800 x 600
PDST106PC	Steel	16	986 38.82	591 23.27	2000 x 600
PDST106PCSS	Stainless Steel	16	986 38.82	591 23.27	2000 x 600
PDST88PC	Steel	14	586 23.07	791 31.14	1600 x 800
PDST98PC	Steel	14	786 30.94	791 31.14	1800 x 800
PDST108PC	Steel	14	986 38.82	791 31.14	2000 x 800

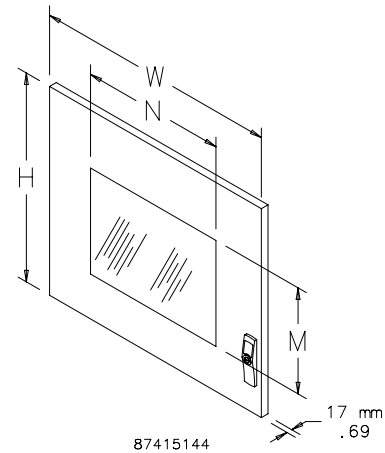


WINDOW DOORS FOR UPPER FRONT

Window Doors fit on the upper front of the PC frame and are hinged on the left side. A 2-point latch system is operated by a Small Flush Bezel with tool-to-open insert located on the lower right side of the door. Other inserts and a Flush Swing Handle are also available. Doors have .25-in.-thick clear safety glass windows, foam-in-place gaskets for an effective seal and a finish of RAL 7035 textured light-gray polyester powder paint (except stainless steel). Noted sizes also available in stainless steel.

BULLETIN: P20PC, P20S

Catalog Number	Type	Gauge	H mm/in.	W mm/in.	Window Size M x N mm/in.	Fits PC Frame
PDWT86PC	Steel	16	586 23.07	591 23.27	343 x 366 13.50 x 14.41	1600 x 600
PDWT86PCSS	Stainless Steel	16	586 23.07	591 23.27	343 x 366 13.50 x 14.41	1600 x 600
PDWT96PC	Steel	16	786 30.94	591 23.27	343 x 366 13.50 x 14.41	1800 x 600
PDWT106PC	Steel	16	986 38.82	591 23.27	343 x 366 13.50 x 14.41	2000 x 600
PDWT106PCSS	Stainless Steel	16	986 38.82	591 23.27	343 x 366 13.50 x 14.41	2000 x 600
PDWT98PC	Steel	14	786 30.94	791 31.14	343 x 566 13.50 x 22.28	1800 x 800
PDWT108PC	Steel	14	986 38.82	791 31.14	343 x 566 13.50 x 22.28	2000 x 800



21-in. Monitor Window

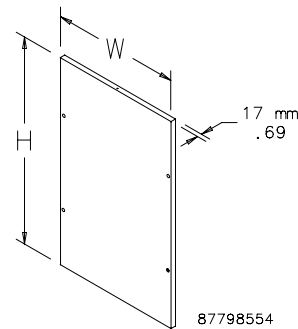
Catalog Number	H mm/in.	W mm/in.	Window Size M x N mm/in.	Fits PC Frame
PDWTL86PC	586 23.07	592 23.31	436 x 451 17.17 x 17.76	1600 x 600
PDWTL96PC	786 30.94	592 23.31	436 x 451 17.17 x 17.76	1800 x 600

COVERS FOR LOWER FRONT

Solid 16 or 14 gauge steel construction. Steel cover is finished in RAL 7035 textured gray polyester powder paint. Noted size also available in stainless steel. Seamless foam-in-place gasket assures water-tight and dust-tight seal. Semi-flush cover screws attach cover to frame. A ground stud is provided.

BULLETIN: P20, P20S

Catalog Number	Material	Gauge	H mm/in.	W mm/in.	Fits PC Frame
PCS86	Steel	16	767 30.20	592 23.31	600 wide
PCS86SS	Stainless Steel	16	767 30.20	592 23.31	600 wide
PCS88	Steel	14	767 30.20	792 31.18	800 wide

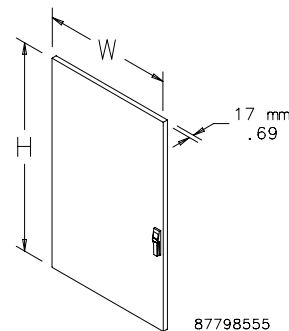


DOORS FOR LOWER FRONT

Doors are steel construction with foam-in-place gasket and ground stud. Steel doors are finished in RAL 7035 textured light-gray polyester powder paint (except stainless steel). Noted size also available in stainless steel. Hidden hinges provide 140-degree swing from either left or right side (180-degree hinge is available). Doors have a Small Flush Bezel with tool-to-open insert. Other inserts and a Flush Swing Handle are also available. These doors will accommodate the same accessories listed for Solid Door PDS76R in the PROLINE™ External Components section.

BULLETIN: P20PC, P20S

Catalog Number	Material	Gauge	H (mm)	H (in.)	W (mm)	W (in.)	Fits PC Frame
PDS86	Steel	16	767	30.20	591	23.27	600 wide
PDS86SS	Stainless Steel	16	767	30.20	591	23.27	600 wide
PDS88	Steel	14	767	30.20	791	31.14	800 wide



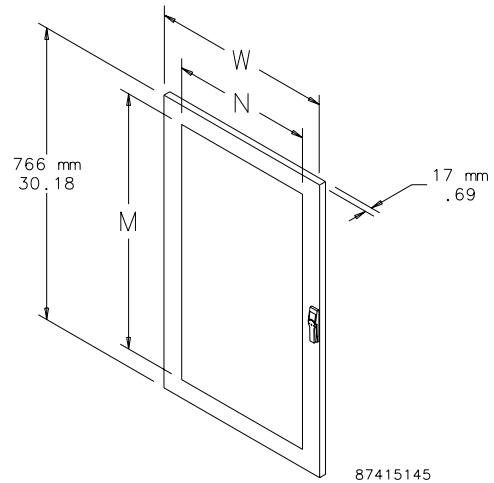
DOORS WITH WINDOWS FOR LOWER FRONT



Window Doors are aluminum with RAL 7035 textured light-gray polyester powder paint finish (except stainless steel). Noted size also available in stainless steel. Foam-in-place gaskets are provided for door and window seals. Window is .25-in.-thick and available in clear safety glass or gray-tint polycarbonate. Doors can be hinged on right or left; 140-degree hidden hinges have retained hinge pins. Doors have a 2-point latch system and a Small Flush Bezel with tool-to-open insert. Other inserts and a Flush Swing Handle are available.

BULLETIN: P20, P20S

Catalog Number	Material	Window	H mm/in.	W mm/in.	Window Size M x N mm/in.	Fits PC Frame
PDWG86	Aluminum	Safety Glass	767 30.18	593 23.35	645 x 446 25.39 x 17.56	600 wide
PDWG86SS	Stainless Steel	Safety Glass	767 30.18	593 23.35	645 x 446 25.39 x 17.56	600 wide
PDW86	Aluminum	Polycarbonate	767 30.18	593 23.35	645 x 446 25.39 x 17.56	600 wide



87415145

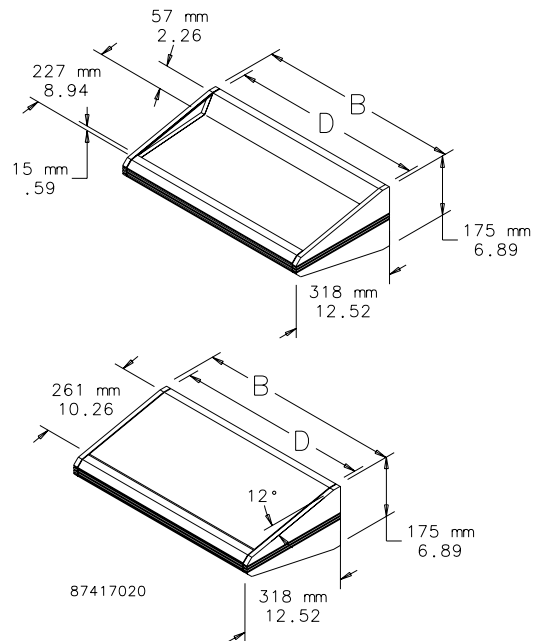
KEYBOARD SHELF



The stylized Keyboard Shelf is reversible, allowing two options for mounting keyboards. A standard keyboard can be placed in the recessed side. The recess is 5-degree from horizontal and contains a knockout to allow the keyboard cord into the shelf interior. The flush side of the shelf provides a 12-degree mounting surface for membrane-type keyboards. Hole and grommet in rear surface of shelf provide keyboard cable access into the enclosure. Shelf has aluminum die-cast ends and an aluminum extrusion across the front edge to add styling detail and function as a palm rest for ergonomic keyboard orientation. Rear mounting surface is gasketed to maintain the UL and CSA integrity of the enclosure. Shelf is 14 gauge steel and finished with RAL 7035 textured light-gray polyester powder paint. Aluminum trim and die-cast sides are finished with RAL 9005 textured black polyester powder paint.

BULLETIN: P20PC

Catalog Number	Clear Space D (mm)	Clear Space D (in.)
PKBS6	563	22.17
PKBS8	763	30.04



87417020

KEYBOARD COMPARTMENT

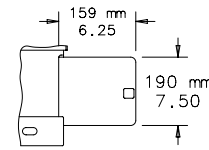
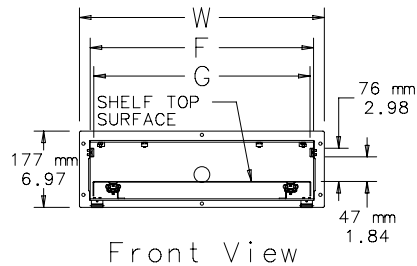
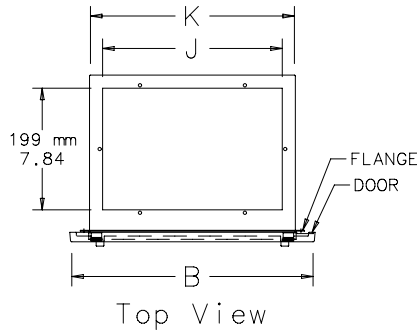


The Keyboard Compartment is a self-contained, sealed module that mounts to an accessory front opening. The lockable die-cast aluminum door is hinged along bottom edge and has pushbutton latches. PC keyboard rests on a ball-bearing glide shelf with a soft palm-rest. For PKBC6R, tray for mouse slides out from under the shelf. Seamless foam-in-place gasket on door assures a dust-tight seal. Door locks in position under extended shelf to secure shelf in open position. Hole and grommet in rear of compartment provide keyboard cable access into enclosure.

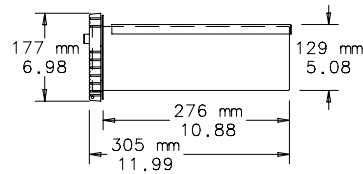
Compartment is finished with RAL 7035 textured light-gray polyester powder paint. Door is finished with RAL 9005 textured black polyester powder paint.

BULLETIN: P20

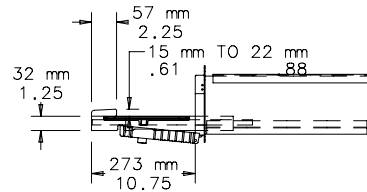
Catalog Number	F mm/in.	G mm/in.	J mm/in.	K mm/in.	M mm/in.	W mm/in.
PKBC6R	519 20.43	478 18.83	439 17.29	520 20.49	525 20.68	575 22.62
PKBC8R	722 28.42	678 26.70	639 25.16	720 28.36	725 28.55	774 30.49



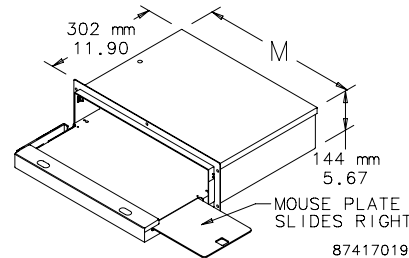
Detail Mouse Tray



Side View Compartment Closed

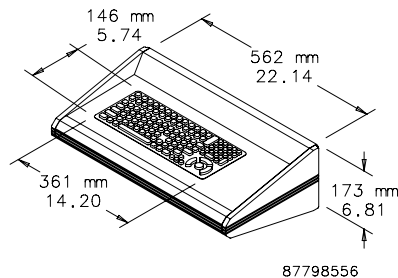


Side View Compartment Open



KEYBOARD SHELVES WITH INTEGRATED KEYBOARD/ MOUSE **A-T-O**

An elastomer keyboard/mouse combination is integrated into the keyboard shelf. The keyboard has 101 keys and the cables supplied are compatible with USB connections. The keyboard shelf is made of 14 gauge steel with RAL 7035 textured light-gray polyester powder paint or Type 304 brushed stainless steel. Rear surface is gasketed to maintain both UL and CSA integrity of the enclosure.

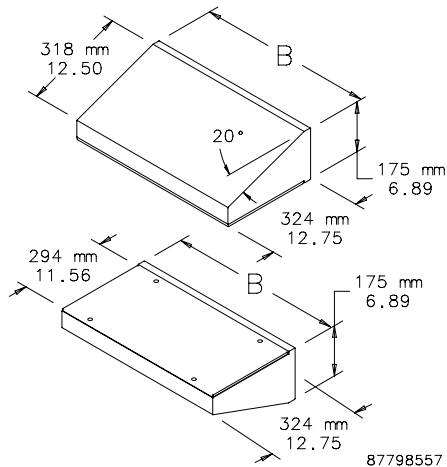


BULLETIN: P20, P20S

Catalog Number	Material	Description
PEKBMC6	Steel	Keyboard shelf with integrated keyboard and mouse
PEKBMC6SS	Stainless Steel	Keyboard shelf with integrated keyboard and mouse

20-DEGREE CONTROL COMPARTMENT **A-T-O**

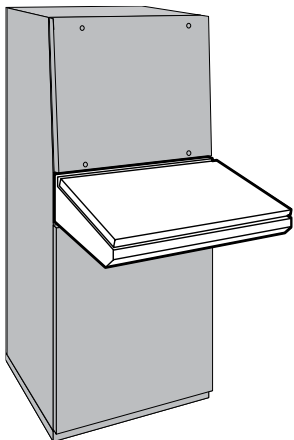
Reversible design provides 20-degree angled surface for mounting operator controls. Smaller angle maximizes mounting space available. The keyboard shelf is made of 14 gauge steel with RAL 7035 textured light-gray polyester powder paint or Type 304 brushed stainless steel. Screw cover on the flat side allows easy access inside compartment. Screw cover has foam-in-place gasketing. Compartment is gasketed around the open rear surface to extend the UL and CSA rating to the control compartment interior. Ground stud and mounting hardware are included.



BULLETIN: P20, P20S

Catalog Number	Material
PC20A6	Steel
PC20A6SS	Stainless Steel
PC20A8	Steel
PC20A8SS	Stainless Steel

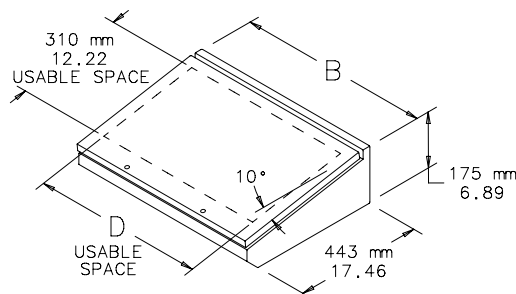
CONSOLET COMPARTMENT **A-T-O**



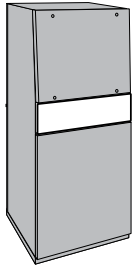
Provides sealed compartment for keyboard storage or protection for controls. Hinged door allows easy access to compartment. Door support holds door open at 90 degrees. Two quarter-turn integral latches are incorporated into the front edge of steel compartment doors. Foam-in-place gasket on door and gasket around open rear surface extend the UL and CSA rating to the console compartment interior. Compartment is Type 304 stainless steel or 14 gauge steel finished with RAL 7035 textured light-gray polyester powder paint. Ground studs and mounting hardware are provided. The Flush Keylock (PSTLO) is available as an accessory.

BULLETIN: P20, P20S

Catalog Number	Material	Clear Space D mm/in.
PCC6	Steel	525 20.66
PCC8	Steel	725 28.54
PCDS8SS	Stainless Steel	725 28.54



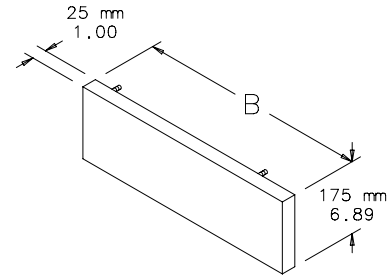
87417021

ACCESS COVER
A-T-O


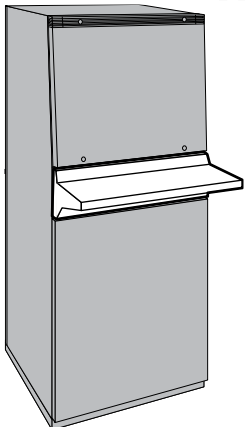
Provides a solid, flat cover or additional mounting surface for front accessory opening. Cover is gasketed to maintain enclosure integrity. Covers are stainless steel or finished with RAL 7035 textured light-gray polyester powder paint. Hardware is included.

BULLETIN: P20PC, P20S

Catalog Number	Material	B mm/in.
PCS6	Steel	592 23.30
PCSA6SS	Stainless Steel	592 23.30
PCS8	Steel	792 31.17



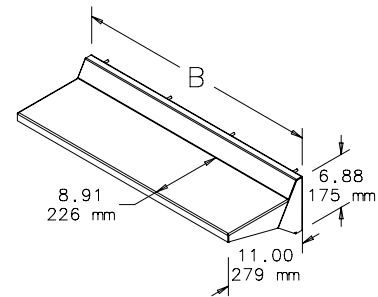
87798562

WRITING DESK
A-T-O


Provides a horizontal writing surface. Constructed of 14 gauge steel with RAL 7035 light-gray polyester powder paint finish. Rear surface is closed and gasketed to maintain both the UL and CSA integrity of the enclosure.

BULLETIN: P20PC

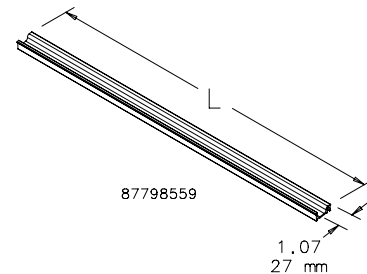
Catalog Number	Description	B mm/in.
PWD6	Writing Desk	592 23.30
PWD8	Writing Desk	792 31.17



C2699-C

PENCIL TRAY

Use to keep pencils and papers from slipping off sloped surfaces. Tray is intended to be mounted along the bottom edge of sloped surfaces such as control compartments or console compartments. Pencil Tray is an aluminum extrusion with RAL 9005 black polyester powder paint finish. Mounting hardware is hidden when tray is installed.

BULLETIN: P20


87798559

Catalog Number	L (mm)	L (in.)
PCPL8	764	30.08

Notes