



ON Semiconductor®

<http://onsemi.com>

STK554U392A-E

Thick-Film Hybrid IC

Inverter Power H-IC for 3-phase Motor Drive

Overview

This "Inverter Power H-IC" is highly integrated device containing all High Voltage (HV) control from HV-DC to 3-phase outputs in a single small SIP module. Output stage uses IGBT/FRD technology and implements Under Voltage Protection (UVP) and Over Current Protection (OCP) with a Fault Detection output flag. Internal Boost diodes are provided for high side gate boost drive.

Function

- Single control power supply due to Internal bootstrap circuit for high side pre-driver circuit
- All control inputs and status outputs are at low voltage levels directly compatible with microcontrollers.
- A single power supply drive is enabled through the use of bootstrap circuits for upper power supplies
- Built-in dead-time for shoot-thru protection
- Having open emitter output for low side IGBTs; individual shunt resistor per phase for OCP
- Externally accessible embedded thermistor for substrate temperature measurement
- Shutdown function 'ITRIP' to disable all operations of the 6 phase output stage by external input

Certification

- UL1557 (File number: E339285).

Specifications

Absolute Maximum Ratings at $T_c = 25^\circ\text{C}$

Parameter	Symbol	Remarks	Ratings	Unit
Supply voltage	VCC	V+ to U-, V-, W-, surge<500V *1	450	V
Collector-emitter voltage	VCE	V+ to U, V, W or U, V, W, to U-, V-, W-	600	V
Output current	Io	V+,U-,V-,W-,U,V,W terminal current	±15	A
		V+,U-,V-,W-,U,V,W terminal current, Tc=100°C	±8	A
Output peak current	Iop	V+,U-,V-,W-,U,V,W terminal current, P.W.=1ms	±30	A
Pre-driver voltage	VD1,2,3,4	VB1 to U, VB2 to V, VB3 to W, VDD to VSS *2	20	V
Input signal voltage	VIN	HIN1, 2, 3, LIN1, 2, 3	-0.3 to VDD	V
FLTEN terminal voltage	VFLTEN	FLTEN terminal	-0.3 to VDD	V
Maximum power dissipation	Pd	IGBT per 1 channel	35	W
Junction temperature	Tj	IGBT, FRD, Pre-Driver IC	150	°C
Storage temperature	Tstg		-40 to +125	°C
Operating case temperature	Tc	H-IC case	-40 to +100	°C
Tightening torque		A screw part *3	0.9	Nm
Withstand voltage	Vis	50Hz sine wave AC 1 minute *4	2000	VRMS

Reference voltage is "VSS" terminal voltage unless otherwise specified.

*1: Surge voltage developed by the switching operation due to the wiring inductance between + and U-(V-, W-) terminal.

*2: VD1=VB1 to U, VD2=VB2 to V, VD3=VB3 to W, VD4=VDD to VSS terminal voltage.

*3: Flatness of the heat-sink should be less than $-50\mu\text{m}$ to $+100\mu\text{m}$.

*4: Test conditions : AC2500V, 1 second

Stresses exceeding Maximum Ratings may damage the device. Maximum Ratings are stress ratings only. Functional operation above the Recommended Operating Conditions is not implied. Extended exposure to stresses above the Recommended Operating Conditions may affect device reliability.

ORDERING INFORMATION

See detailed ordering and shipping information on page 15 of this data sheet.

STK554U392A-E

Electrical Characteristics at Tc = 25°C, VD1, VD2, VD3, VD4 = 15V

Parameter	Symbol	Conditions	Test circuit	MIN	TYP	MAX	Unit
Power output section							
Collector-emitter cut-off current	ICE	VCE = 600V	Fig.1	-	-	100	μA
Bootstrap diode reverse current	IR(BD)	VR(BD) = 600V		-	-	100	μA
Collector to emitter saturation voltage	VCE(SAT)	Ic = 15A, Tj=25°C	Fig.2	-	1.7	2.4	V
		Ic = 8A, Tj=100°C		-	1.4	-	
Diode forward voltage	VF	IF = -15A, Tj=25°C	Fig.3	-	1.9	2.6	V
		IF = -8A, Tj=100°C		-	1.4	-	
Junction to case thermal resistance	θj-c(T)	IGBT	-	-	-	3.5	°C /W
	θj-c(D)	FWD		-	-	5	
Control (Pre-driver) section							
Pre-driver power dissipation	ID	VD1,2,3 = 15V	Fig.4	-	0.08	0.4	mA
		VD4 = 15V		-	1.6	4	
High level Input voltage	Vin H	HIN1,HIN2,HIN3,	-	2.5	-	-	V
Low level Input voltage	Vin L	LIN1,LIN2,LIN3 to VSS	-	-	-	0.8	V
Logic 1 input leakage current	IIN+	VIN=+3.3V	-	-	100	143	μA
Logic 0 input leakage current	IIN-	VIN=0V	-	-	-	2	μA
FLTEN terminal sink current	IoSD	FAULT:ON / VFLTEN=0.1V	-	-	2	-	mA
FLTEN clearance delay time	FLTCLR	From time fault condition clear	-	1.55	1.9	2.25	ms
FLTEN Threshold	VEN+	VEN rising	-	-	-	2.5	V
	VEN-	VEN falling	-	0.8	-	-	V
ITRIP threshold voltage	VITRIP	ITRIP(16) to VSS(29)	-	0.44	0.49	0.54	V
ITRIP to shutdown propagation delay	tITRIP		-	340	550	800	ns
ITRIP blanking time	tITRIPBL		-	250	350	-	ns
VCC and VBS supply undervoltage protection reset	VCCUV+ VBSUV+		-	10.5	11.1	11.7	V
VCC and VBS supply undervoltage protection set	VCCUV- VBSUV-		-	10.3	10.9	11.5	V
VCC and VBS supply undervoltage hysteresis	VCCUVH VBSUVH		-	0.14	0.2	-	V
Thermistor for substrate temperature Monitor	Rt	Resistance between TH(27) and VSS(29)	-	42.3	47	51.7	kΩ

Reference voltage is "VSS" terminal voltage unless otherwise specified.

STK554U392A-E

Parameter	Symbol	Conditions	Test circuit	MIN	TYP	MAX	Unit
Switching Character							
Switching time	t ON	I _o = 15A	Fig.5	-	0.45	-	μs
	t OFF	Inductive load		-	0.55	-	
Turn-on switching loss	E _{on}	I _o =15A, V ⁺ =300V, V _{DD} =15V, L=650uH	Fig.5	-	410	-	μJ
Turn-off switching loss	E _{off}	T _c =25°C		-	390	-	μJ
Total switching loss	E _{tot}			-	800	-	μJ
Turn-on switching loss	E _{on}	I _o =8A, V ⁺ =300V, V _{DD} =15V, L=650uH	Fig.5	-	270	-	μJ
Turn-off switching loss	E _{off}	T _c =100°C		-	280	-	μJ
Total switching loss	E _{tot}			-	550	-	μJ
Diode reverse recovery energy	E _{rec}	I _o =8A, V ⁺ =400V, V _{DD} =15V, L=650uH, T _c =100°C	-	-	8.5	-	μJ
Diode reverse recovery time	T _{rr}		-	-	60	-	ns
Reverse bias safe operating area	RBSOA	I _o = 30A, VCE = 450V	-	Full square-			-
Short circuit safe operating area	SCSOA	VCE = 400V, T _c =100°C	-	4	-	-	μs
Allowable offset voltage slew rate	dv/dt	Between U(V,W) to U-(V-,W-)	-	-50	-	50	V/ns

Reference voltage is "VSS" terminal voltage unless otherwise specified.

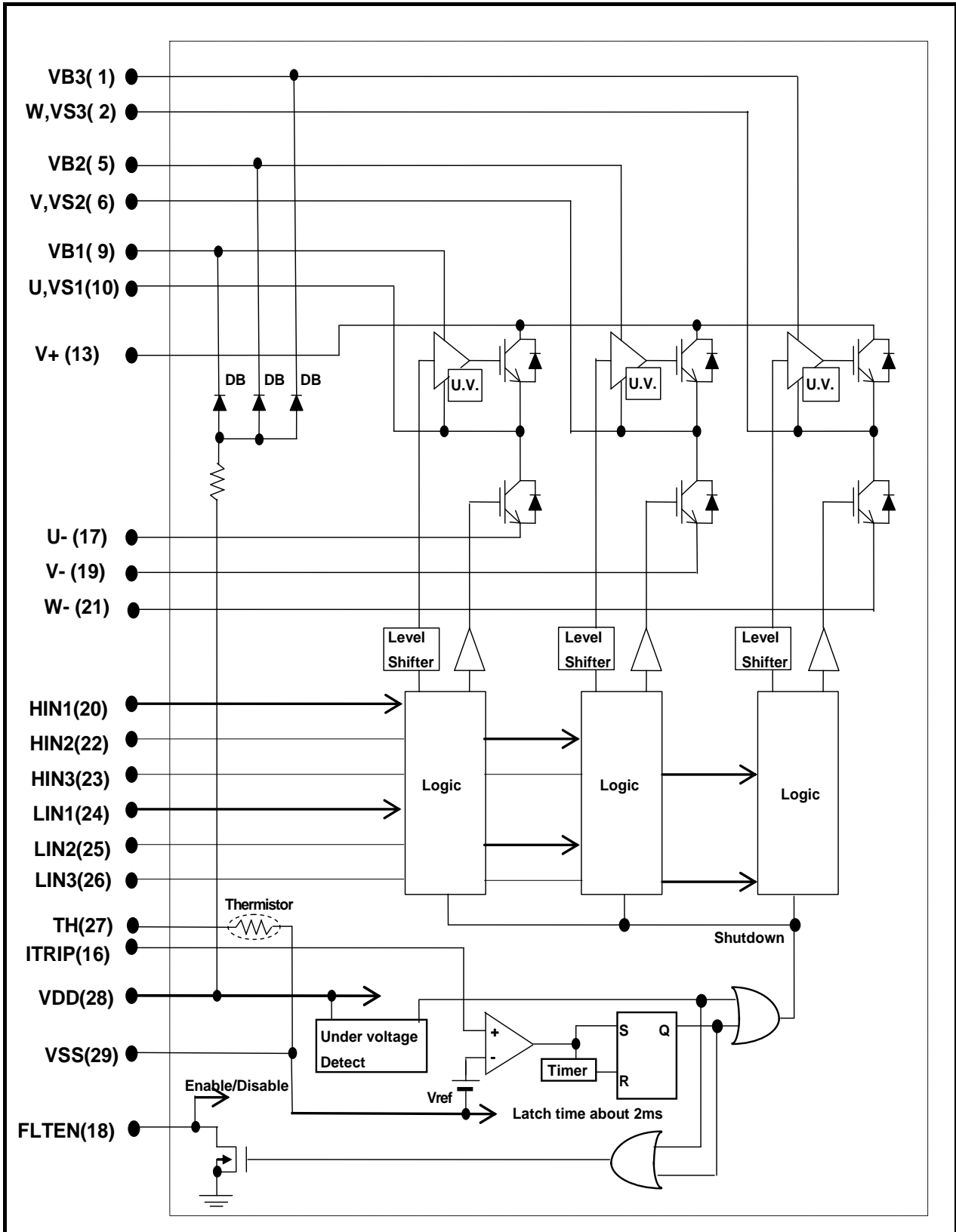
Notes

- The pre-drive power supply low voltage protection has approximately 200mV of hysteresis and operates as follows.
 - Upper side : The gate is turned off and will return to regular operation when recovering to the normal voltage, but the latch will continue till the input signal will turn 'low'.
 - Lower side : The gate is turned off and will automatically reset when recovering to normal voltage. It does not depend on input signal voltage.
- When assembling the H-IC on the heat sink the tightening torque range is 0.6Nm to 0.9Nm.
- The pre-drive low voltage protection protects the device when the pre-drive supply voltage falls due to an operating malfunction.
- When use the over-current protection with external shunt resistor, please set the current protection level to be equal to or less than the rating of output peak current (I_{op}).

Module Pin-Out Description

Pin	Name	Description
1	VB3	High Side Floating Supply Voltage 3
2	W, VS3	Output 3 - High Side Floating Supply Offset Voltage
3	-	Without pin
4	-	Without pin
5	VB2	High Side Floating Supply voltage 2
6	V, VS2	Output 2 - High Side Floating Supply Offset Voltage
7	-	Without pin
8	-	Without pin
9	VB1	High Side Floating Supply voltage 1
10	U, VS1	Output 1 - High Side Floating Supply Offset Voltage
11	-	Without pin
12	-	Without pin
13	V+	Positive Bus Input Voltage
14	-	Without pin
15	-	Without pin
16	ITRIP	Current protection pin
17	U-	Low Side Emitter Connection - Phase U
18	FLTEN	Enable input / Fault output
19	V-	Low Side Emitter Connection - Phase V
20	HIN1	Logic Input High Side Gate Driver - Phase U
21	W-	Low Side Emitter Connection - Phase W
22	HIN2	Logic Input High Side Gate Driver - Phase V
23	HIN3	Logic Input High Side Gate Driver - Phase W
24	LIN1	Logic Input Low Side Gate Driver - Phase U
25	LIN2	Logic Input Low Side Gate Driver - Phase V
26	LIN3	Logic Input Low Side Gate Driver - Phase W
27	TH	Thermistor output
28	VDD	+15V Main Supply
29	VSS	Negative Main Supply

Equivalent Block Diagram



Test Circuit

(The tested phase : U+ shows the upper side of the U phase and U- shows the lower side of the U phase.)

■ ICE / IR(BD)

	U+	V+	W+	U-	V-	W-
M	13	13	13	10	6	2
N	10	6	2	17	19	21

	U(BD)	V(BD)	W(BD)
M	9	5	1
N	29	29	29

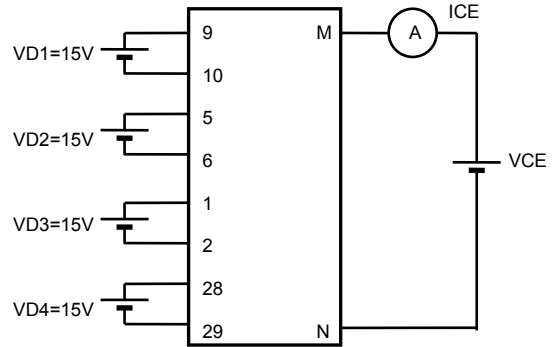


Fig.1

■ VCE(SAT) (Test by pulse)

	U+	V+	W+	U-	V-	W-
M	13	13	13	10	6	2
N	10	6	2	17	19	21
m	20	22	23	24	25	26

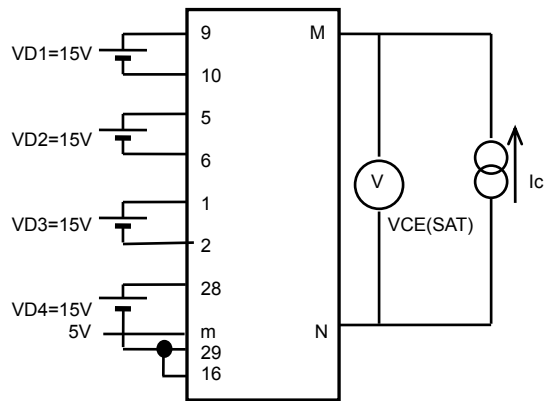


Fig.2

■ VF (Test by pulse)

	U+	V+	W+	U-	V-	W-
M	13	13	13	10	6	2
N	10	6	2	17	19	21

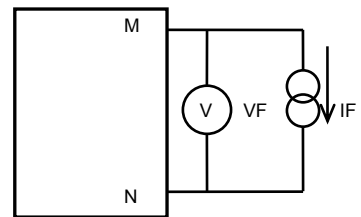


Fig.3

■ ID

	VD1	VD2	VD3	VD4
M	9	5	1	28
N	10	6	2	29

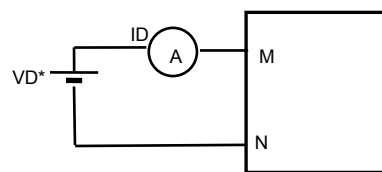


Fig.4

■ Switching time (The circuit is a representative example of the lower side U phase.)

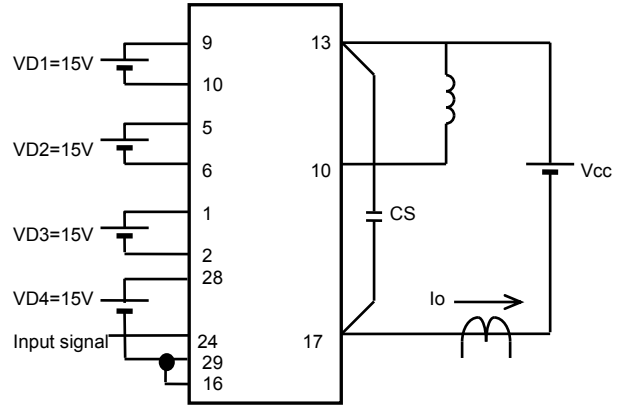
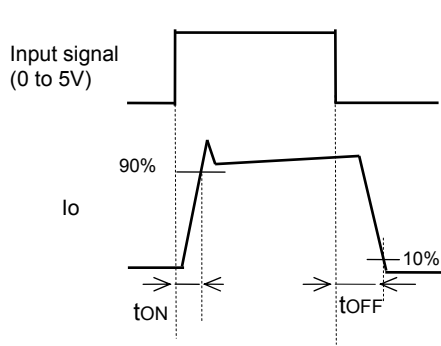


Fig.5

■ RB-SOA (The circuit is a representative example of the lower side U phase.)

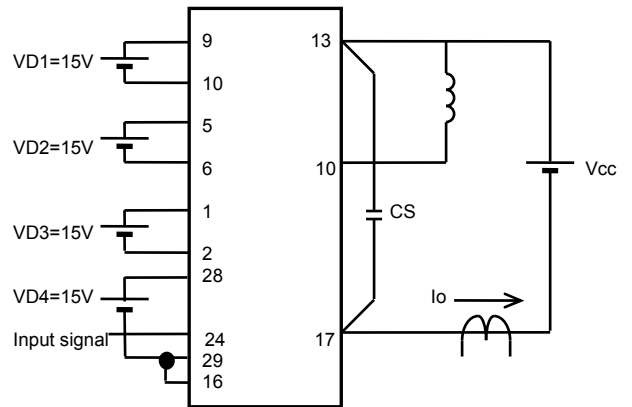
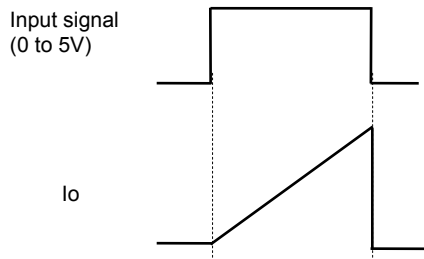
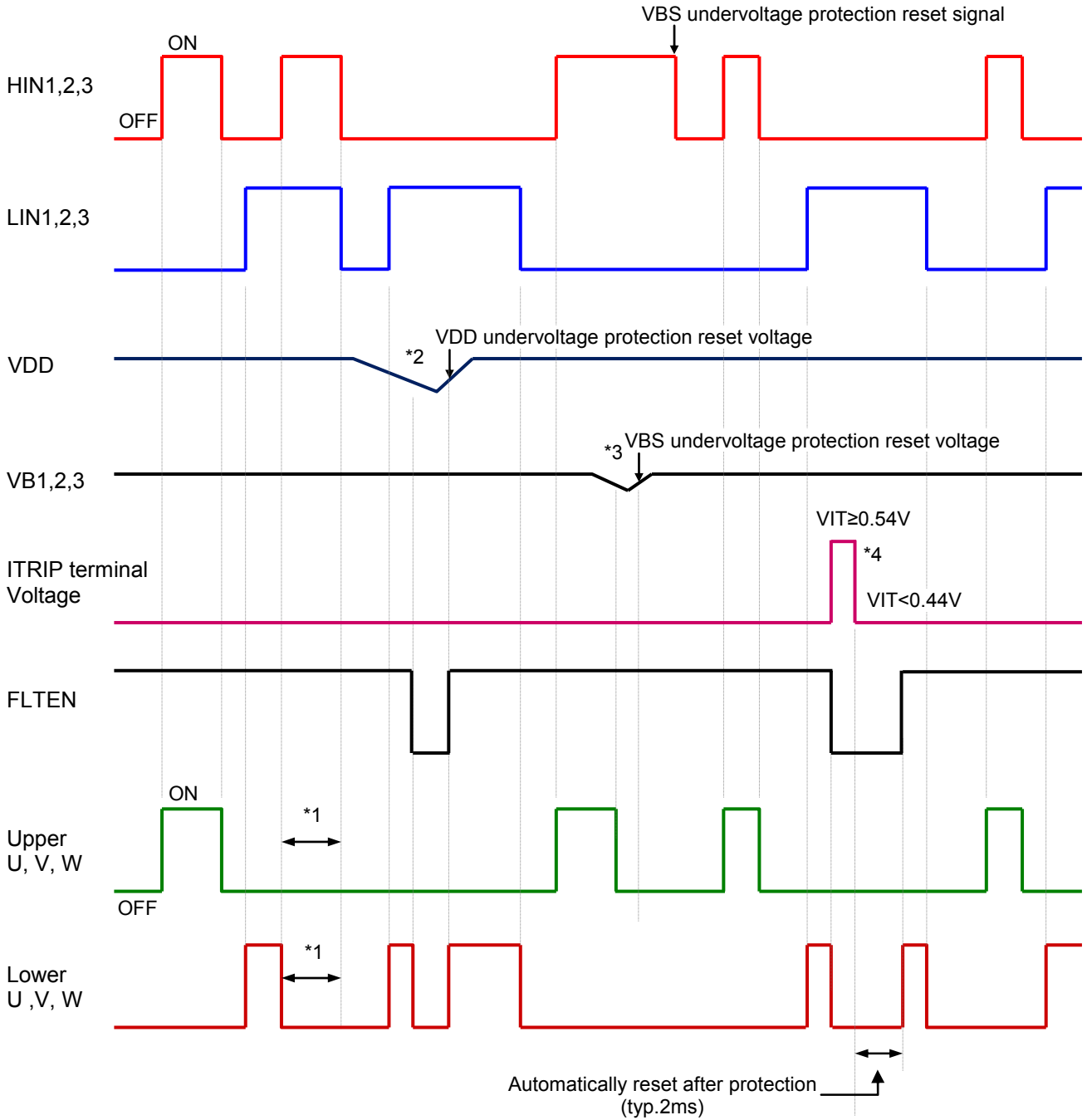


Fig.6

Input / Output Timing Chart

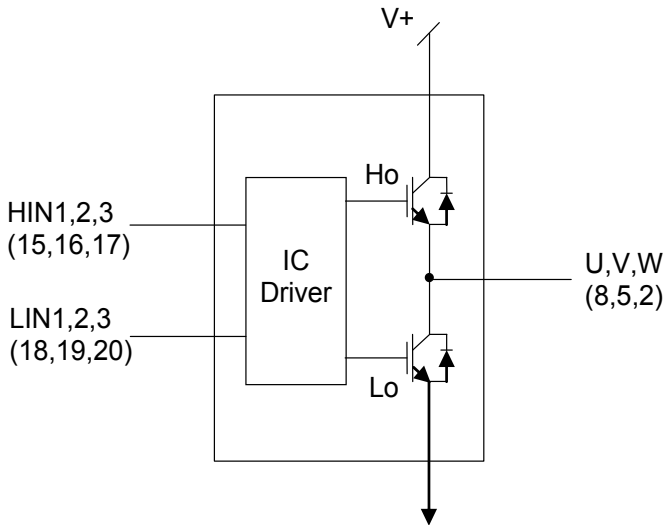


Notes:

- *1 shows the prevention of shoot-thru via control logic, however, more dead time must be added to account for switching delay externally.
- *2 when VDD decreases all gate output signals will go low and cut off all 6 IGBT outputs. When VDD rises the operation will resume immediately.
- *3 when the upper side voltage at VB1, VB2 and VB3 drops only the corresponding upper side output is turned off. The outputs return to normal operation immediately after the upper side gate voltage rises.
- *4 when VITRIP exceeds threshold all IGBT's are turned off and normal operation resumes 2ms (typ) after over current condition is removed.

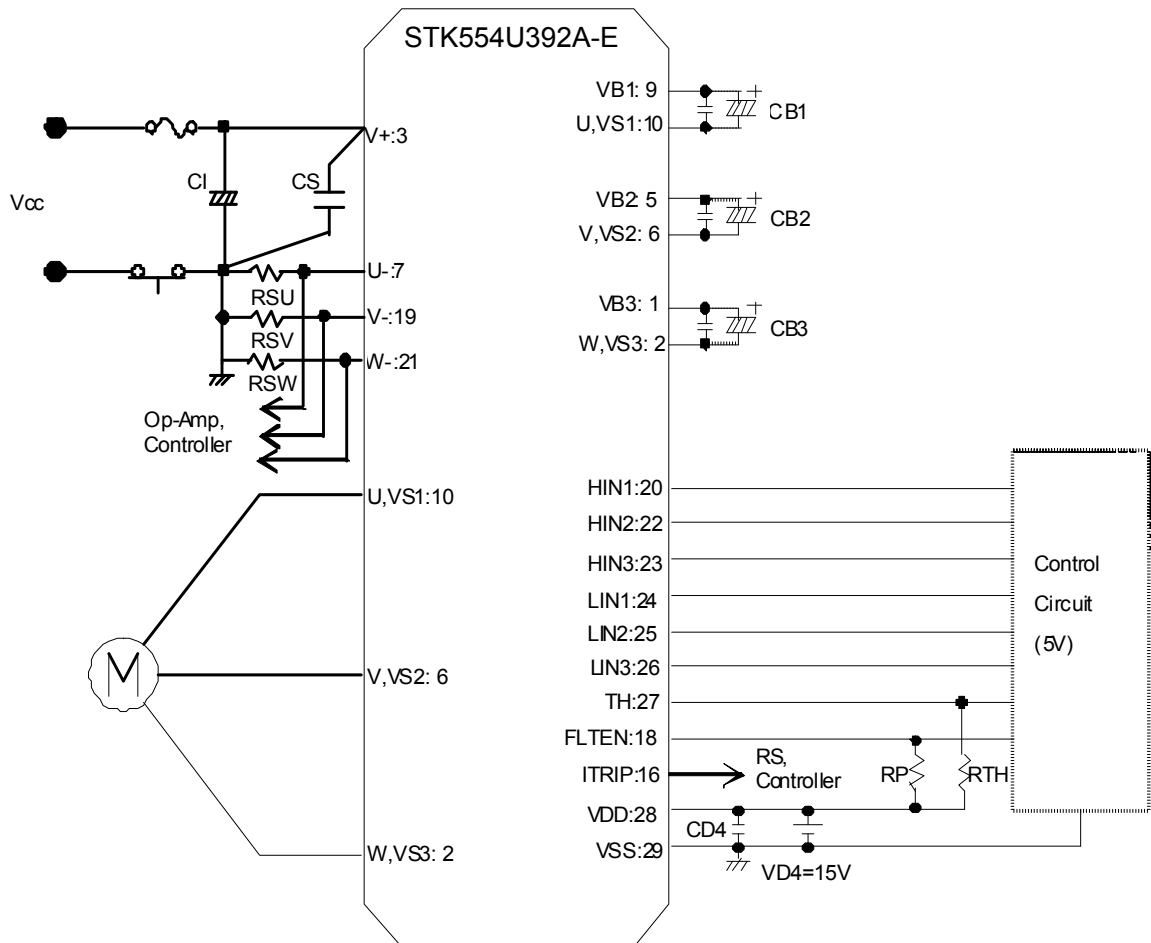
STK554U392A-E

Logic level table



FLTEN	Itrip	HIN1,2,3	LIN1,2,3	U,V,W
1	0	1	0	Vbus
1	0	0	1	0
1	0	0	0	Off
1	0	1	1	Off
1	1	X	X	Off
0	X	X	X	Off

Sample Application Circuit



Recommended Operating Condition at $T_c = 25^\circ\text{C}$

Item	Symbol	Conditions	Min.	Typ.	Max.	Unit
Supply voltage	VCC	V+ to U-(V-,W-)	0	280	450	V
Pre-driver supply voltage	VD1,2,3	VB1 to U,VB2 to V,VB3 to W	12.5	15	17.5	V
	VD4	VDD to VSS *1	13.5	15	16.5	
ON-state input voltage	VIN(ON)	HIN1,HIN2,HIN3,	3.0	-	5.0	V
OFF-state input voltage	VIN(OFF)	LIN1,LIN2,LIN3	0	-	0.3	
PWM frequency	fPWM		1	-	20	kHz
Dead time	DT	Turn-off to turn-on (external)	0.5	-	-	μs
Allowable input pulse width	PWIN	ON and OFF	1	-	-	μs
Tightening torque		'M3' type screw	0.6	-	0.9	Nm

*1 Pre-drive power supply (VD4=15±1.5V) must have the capacity of $I_o=20\text{mA}$ (DC), 0.5A (Peak).

Usage Precaution

1. This H-IC includes internal bootstrap diode and resistor. By adding a bootstrap capacitor "CB", a high side drive voltage is generated; each phase requires an individual bootstrap capacitor. The recommended value of CB is in the range of 1 to 47 μF , however, this value needs to be verified prior to production. If selecting the capacitance more than 47 μF ($\pm 20\%$), connect a resistor (about 20 Ω) in series between each 3-phase upper side power supply terminals (VB1,2,3) and each bootstrap capacitor.
When not using the bootstrap circuit, each upper side pre-drive power supply requires an external independent power supply.
2. It is essential that wiring length between terminals in the snubber circuit be kept as short as possible to reduce the effect of surge voltages. Recommended value of "CS" is in the range of 0.1 to 10 μF .
3. The "FLTEN" terminal (Pin 18) is I/O terminal; Fault output / Enable input. It is used to indicate an internal fault condition of the module and also can be used to disable the module operation.
4. Inside the H-IC, a thermistor used as the temperature monitor for internal substrate is connected between VSS terminal and TH terminal, therefore, an external pull up resistor connected between the TH terminal and an external power supply should be used. The temperature monitor example application is as follows, please refer the Fig.10, and Fig.11 below.
5. The pull-down resistor (:33k Ω (typ)) is connected with the inside of the signal input terminal, but please connect the pull-down resistor(about 2.2 to 3.3k Ω) outside to decrease the influence of the noise by wiring etc.
6. As protection of H-IC to the unusual current by a short circuit etc., it recommends installing shunt resistors and an over-current protection circuit outside. Moreover, for safety, a fuse on Vcc line is recommended.
7. Disconnection of terminals U, V, or W during normal motor operation will cause damage to H-IC, use caution with this connection.
8. The "ITRIP" terminal (Pin 16) is the input terminal to shut down. When VITRIP exceeds threshold (0.44V to 0.54V) all IGBT's are turned off. And normal operation resumes 2ms (typ) after over current condition is removed. Therefore, please turn all the input signals off (Low) in case of detecting error at the "FLTEN" terminal.
9. When input pulse width is less than 1 μs , an output may not react to the pulse. (Both ON signal and OFF signal)

■ This data shows the example of the application circuit; and does not guarantee a design as the mass production set.

The characteristic of thermistor

Parameter	Symbol	Condition	Min	Typ.	Max	Unit
Resistance	R_{25}	T = 25°C	44.6	47.0	49.4	kΩ
Resistance	R_{125}	T = 125°C	1.28	1.41	1.53	kΩ
B-Constant(25-50°C)	B		4010	4050	4091	K
Temperature Range			-40		+125	°C

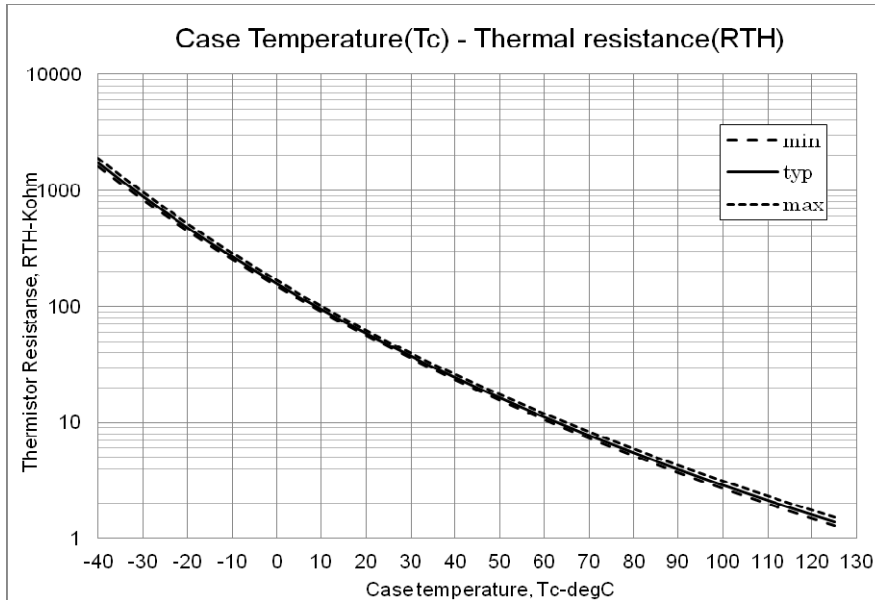


Fig.10 Variation of thermistor resistance with temperature

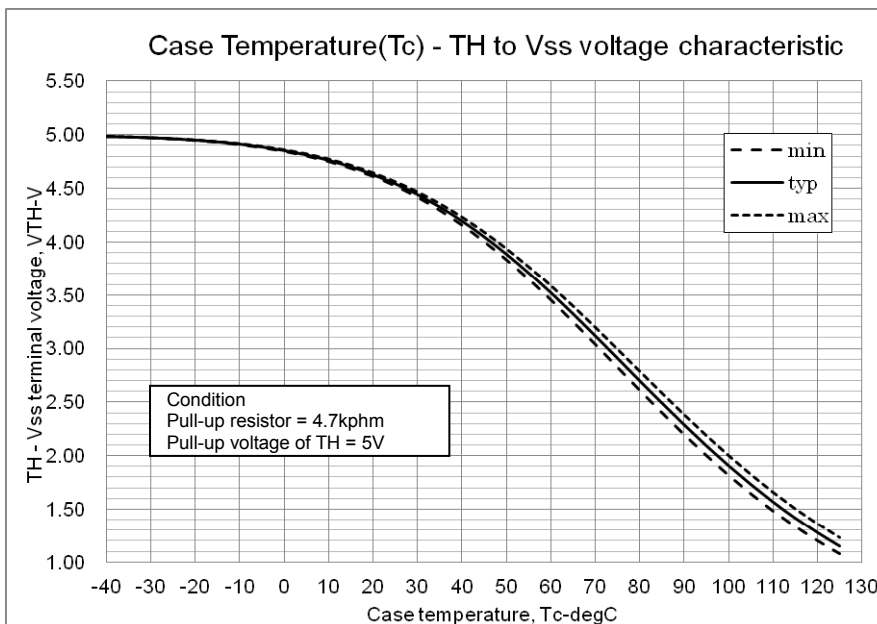


Fig.11 Variation of temperature sense voltage with thermistor temperature

Maximum Phase current

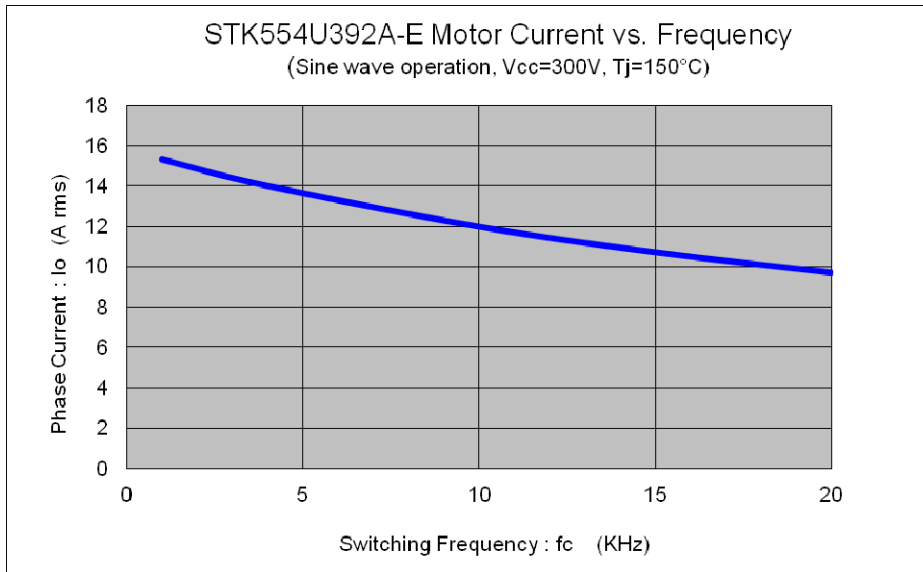


Fig.12 Maximum sinusoidal phase current as function of switching frequency
At Tc=100°C, Vcc=300V

Switching waveform

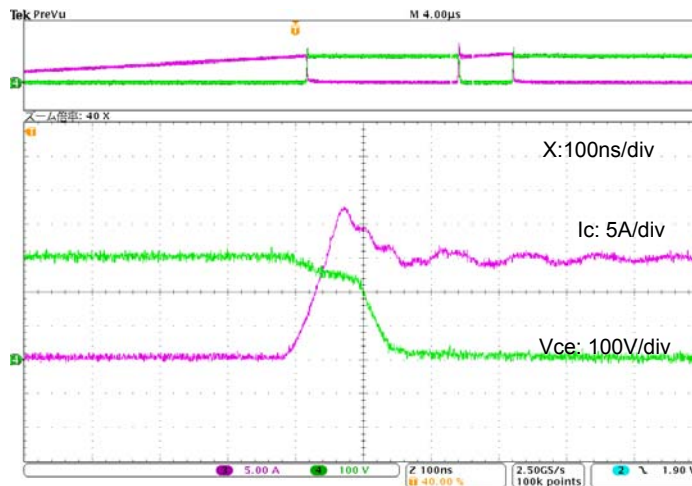


Fig. 13 IGBT Turn-on. Typical turn-on waveform at Tc=100°C, Vcc=300V, Ic=15A

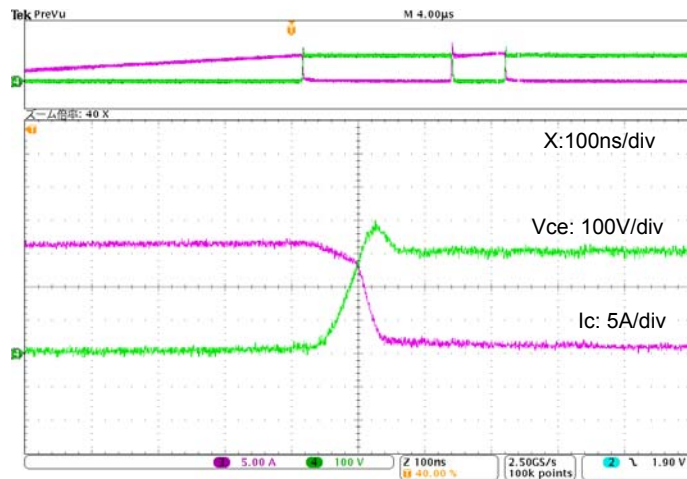


Fig. 14 IGBT Turn-off. Typical turn-off waveform Tc=100°C, Vcc=300V, Ic=15A

CB capacitor value calculation for bootstrap circuit

Calculate condition

Item	Symbol	Value	Unit
Upper side power supply.	VBS	15	V
Total gate charge of output power IGBT at 15V.	Qg	132	nC
Upper side power supply low voltage protection.	UVLO	12	V
Upper side power dissipation.	IDmax	400	μA
ON time required for CB voltage to fall from 15V to UVLO	Ton-max	-	s

Capacitance calculation formula

CB must not be discharged below to the upper limit of the UVLO - the maximum allowable on-time (Ton-max) of the upper side is calculated as follows:

$$VBS * CB - Qg - IDmax * Ton-max = UVLO * CB$$

$$CB = (Qg + IDmax * Ton-max) / (VBS - UVLO)$$

The relationship between Ton-max and CB becomes as follows. CB is recommended to be approximately 3 times the value calculated above. The recommended value of CB is in the range of 1 to 47μF, however, the value needs to be verified prior to production.

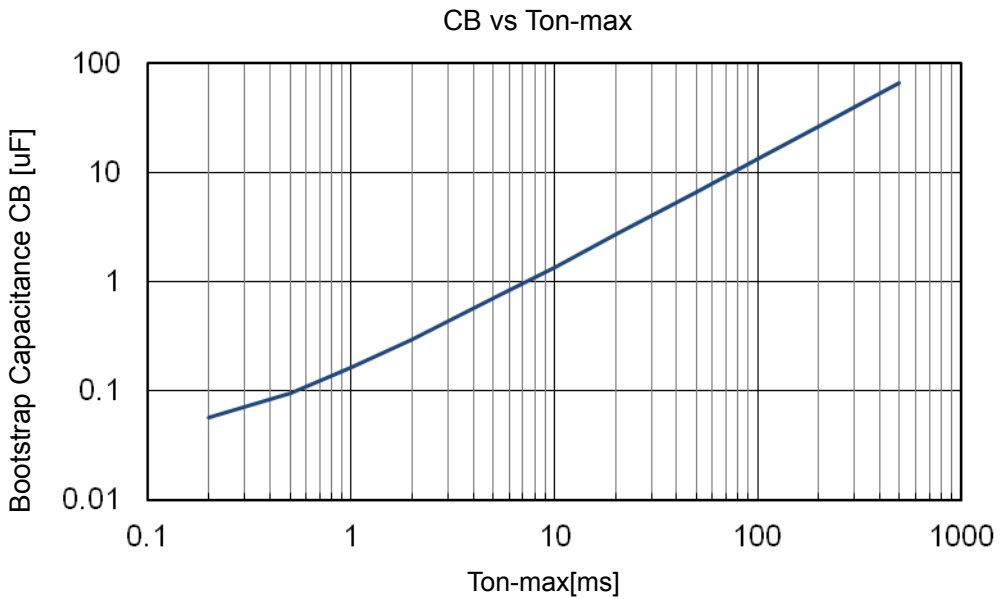


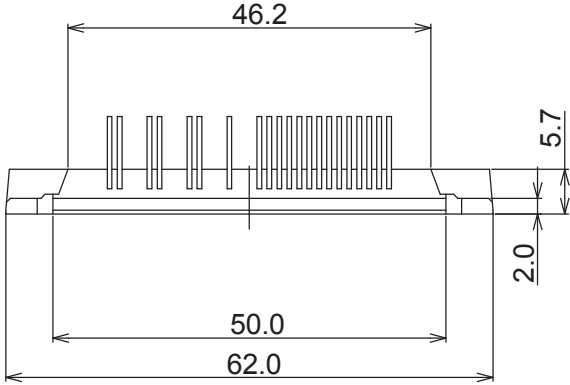
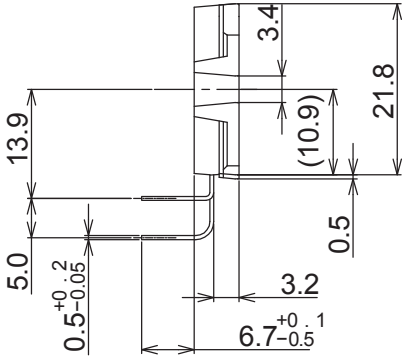
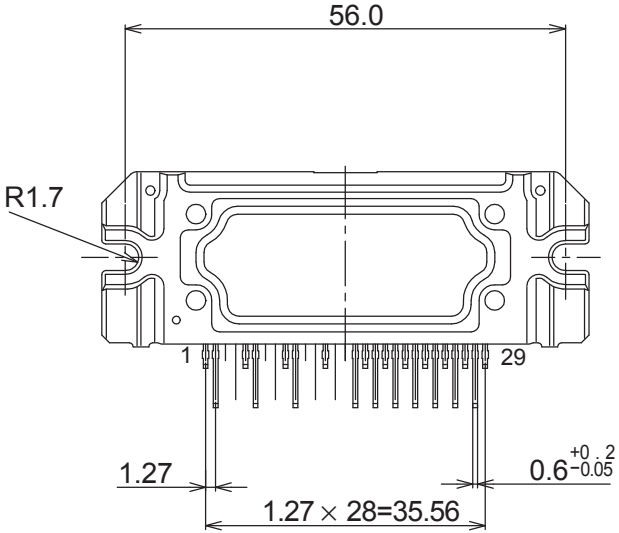
Fig15. Ton-max vs CB characteristic

Package Dimensions

(unit : mm)

SIP29 56x21.8
CASE 127BW
ISSUE O

missing pin : 3,4,7,8,11,12,14,15



STK554U392A-E

ORDERING INFORMATION

Device	Package	Shipping (Qty / Packing)
STK554U392A-E	SIP29 56x21.8 (Pb-Free)	8 / Tube

ON Semiconductor and the ON logo are registered trademarks of Semiconductor Components Industries, LLC (SCILLC). SCILLC owns the rights to a number of patents, trademarks, copyrights, trade secrets, and other intellectual property. A listing of SCILLC's product/patent coverage may be accessed at www.onsemi.com/site/pdf/Patent-Marking.pdf. SCILLC reserves the right to make changes without further notice to any products herein. SCILLC makes no warranty, representation or guarantee regarding the suitability of its products for any particular purpose, nor does SCILLC assume any liability arising out of the application or use of any product or circuit, and specifically disclaims any and all liability, including without limitation special, consequential or incidental damages. "Typical" parameters which may be provided in SCILLC data sheets and/or specifications can and do vary in different applications and actual performance may vary over time. All operating parameters, including "Typicals" must be validated for each customer application by customer's technical experts. SCILLC does not convey any license under its patent rights nor the rights of others. SCILLC products are not designed, intended, or authorized for use as components in systems intended for surgical implant into the body, or other applications intended to support or sustain life, or for any other application in which the failure of the SCILLC product could create a situation where personal injury or death may occur. Should Buyer purchase or use SCILLC products for any such unintended or unauthorized application, Buyer shall indemnify and hold SCILLC and its officers, employees, subsidiaries, affiliates, and distributors harmless against all claims, costs, damages, and expenses, and reasonable attorney fees arising out of, directly or indirectly, any claim of personal injury or death associated with such unintended or unauthorized use, even if such claim alleges that SCILLC was negligent regarding the design or manufacture of the part. SCILLC is an Equal Opportunity/Affirmative Action Employer. This literature is subject to all applicable copyright laws and is not for resale in any manner.