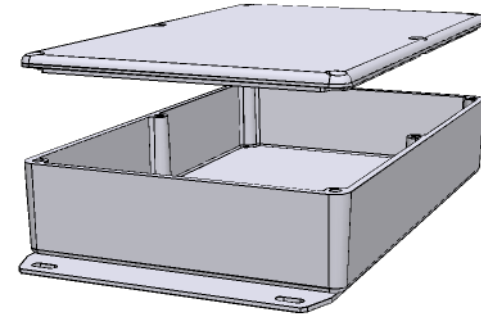
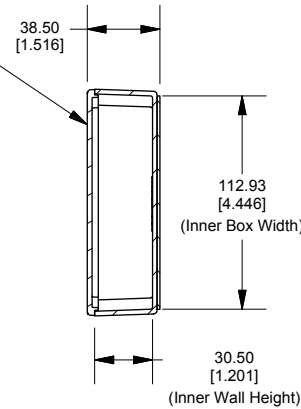
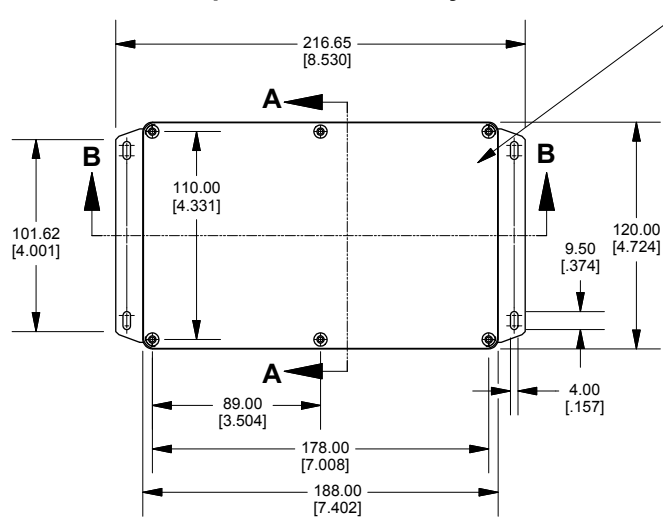


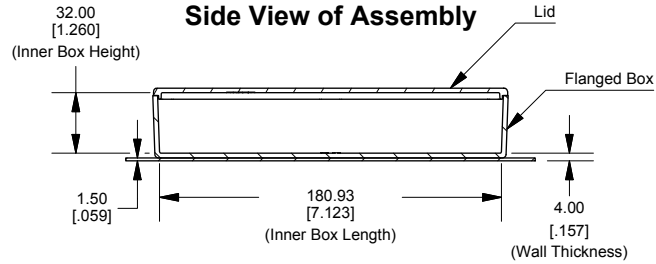
Top View of Assembly

SECTION A-A End View of Assembly

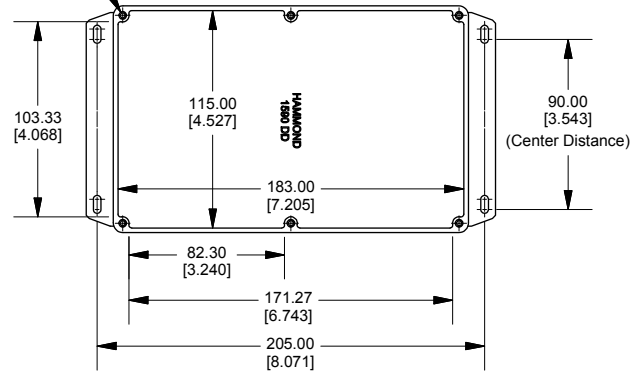


Top View Looking Inside Box

SECTION B-B Side View of Assembly



6-32 UNC
 □ ∅4.00 ± 3.00
 (Threaded Holes)



Enclosures can be Factory Modified (Milling, Drilling, Printing etc.)
 Contact Factory mjm@hammondmfg.com for quotes
 Solid models of this enclosure available in STEP or IGES.

| NOTE | |
|-----------------------------------------------------------|--|
| Purchased assembly includes box, lid and 6 cover screws. | |
| Box and lid are made from Diecast Aluminum Alloy. | |
| Silicone Gasket supplied with liquid resistant enclosure. | |
| Bottom Flange is Welded. | |

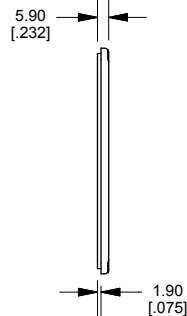
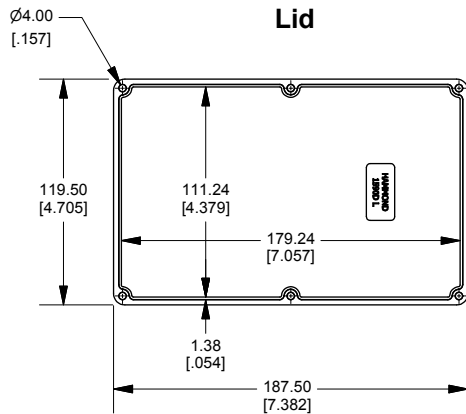
PART NUMBERS

| 1590DDF Enclosure | |
|------------------------------------------------------|------------|
| Natural Finish Enclosure | 1590DDF |
| Black Textured Enclosure | 1590DDFBK |
| 1590DDF Liquid Resistant Enclosure (Silicone Gasket) | |
| Natural Finish Enclosure | 1590WDDF |
| Black Textured Enclosure | 1590WDDFBK |

ACCESSORIES

| Recommended Torque: 75 ozf.in / 55 cN.m | |
|---------------------------------------------------------------------------|--------------|
| Liquid Resistant Cover Screws | |
| Stainless Steel Cover Screws (Pkg 100) [6-32 x 1/2" With O-Ring] | 1590WMS100 |
| Black Stainless Steel Cover Screws (Pkg 100) [6-32 x 1/2" With O-Ring] | 1590WMS100BK |
| Standard Cover Screws | |
| Plated Cover Screws (Pkg 100) [6-32 x 1/2"] | 1590MS100 |
| Black Cover Screws (Pkg 100) [6-32 x 1/2"] | 1590MS100BK |

Lid



Dimensions:
 mm
 [inches]

**HAMMOND
 MANUFACTURING™**

1590DDF

www.hammondmfg.com