

Hinged actuators for safety switches NP/GP/TP

- ▶ Actuators made of stainless steel
- ▶ Two stainless safety screws per actuator
- ▶ For top and bottom hinged doors
- ▶ For right and left hinged doors

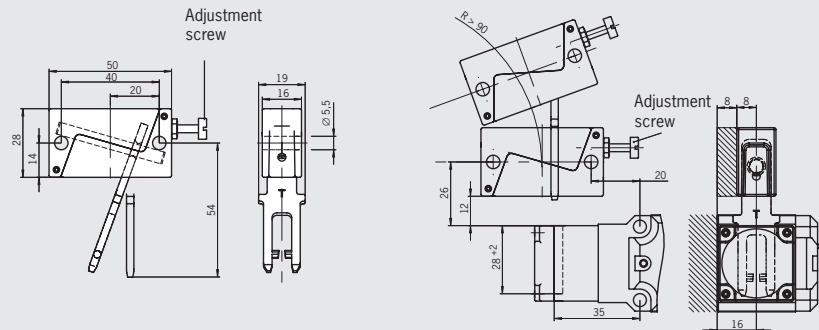
Hinged actuator

For door radii less than 1000 mm a hinged actuator should be used. The spring action movement of the actuator prevents damage due to the actuator jamming in the actuating head. Depending on the movement of the safety guard, the actuator must be selected for left/right or top/bottom.

Hinged actuator P-OU

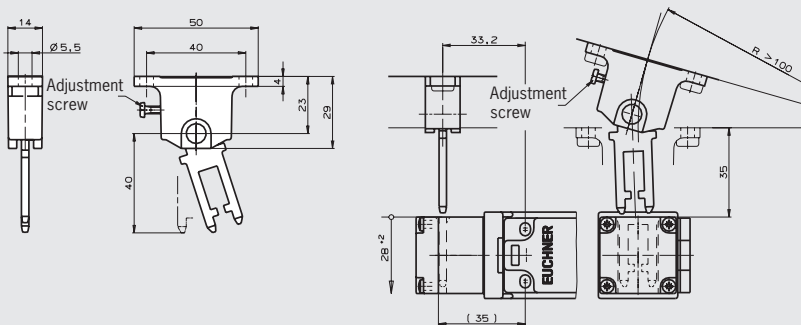
Safety guard hinged at top/bottom, overtravel 2 mm

Dimension drawings



Hinged actuator P-LR

Safety guard hinged on left/right, overtravel 2 mm



Ordering table

Designation	Version	Min. door radius r [mm]	Packaging unit	Order No.
Hinged actuator	P-OU For top and bottom hinged doors overtravel 2 mm incl. 2 safety screws M5 x 25	90	1 ea.	070050 HINGED ACTUATOR P-OU
	P-LR For left and right hinged doors overtravel 2 mm incl. 2 safety screws M5 x 10	100	1 ea.	059440 HINGED ACTUATOR P-LR