

DECLARATION OF CONFORMITY

SILVERTRONIC Ltd. confirm that the products listed below have been Designed, Manufactured and Tested to, and therefore are fully compliant to;
IEC1010-1 1990 inc. Amendment 2-1995 & IEC1010-2-031 First Edition-1993
and thus meet **THE LOW VOLTAGE DIRECTIVE (LVD) 73/23/EEC and amending directive 93/68/EEC**

PRODUCT TYPE / DESCRIPTION				Pair Of Long Reach Cable Piercer	
PART No.				134316	
IEC1010 RATING	VOLTAGE	1000	Volts	INSULATION CATEGORY	III (3)

MAXIMUM RATED CURRENT	10	Amps
POLLUTION DEGREE	2	
INSULATION CATEGORY	DOUBLE/REINFORCED	

INCLUDES FOLLOWING ASSEMBLIES / COMPONENTS SUBJECT TO INDIVIDUAL TEST.	DESCRIPTION	PART No.
	Long Reach Cable Piercer	121048

**It is not advised to pierce high energy cables.
IEC Rating is a statement of compliant manufacture and dielectric strength.**



All Testing carried out by Third Party Testhouse
CRANAGE EMC TESTING Ltd.
(LVD TESTING DEPARTMENT)



www.silvertronic.com
e-mail: sales@silvertronic.com

Registration No. 1993292

North American Office
4405 Sharon Copley Road,
Medina, Ohio, 44256.
Toll Free: (866) 556 3308
Facsimile: (330) 722 2281



Date
27/02/03

Drn.By
Rich

Title
EXTENDED CABLE PIERCERS 1 RED & 1 BLACK

ISSUE No.

1
27/02/03
First Issue

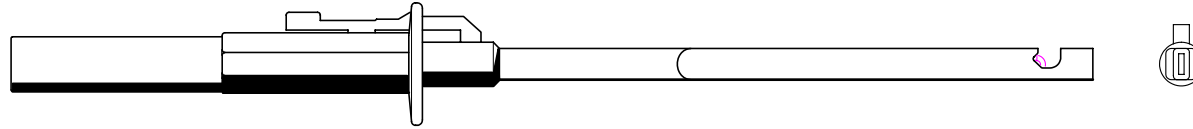
Part No. **134316**

This drawing is not to be disclosed to a third party without the authority from the company.©

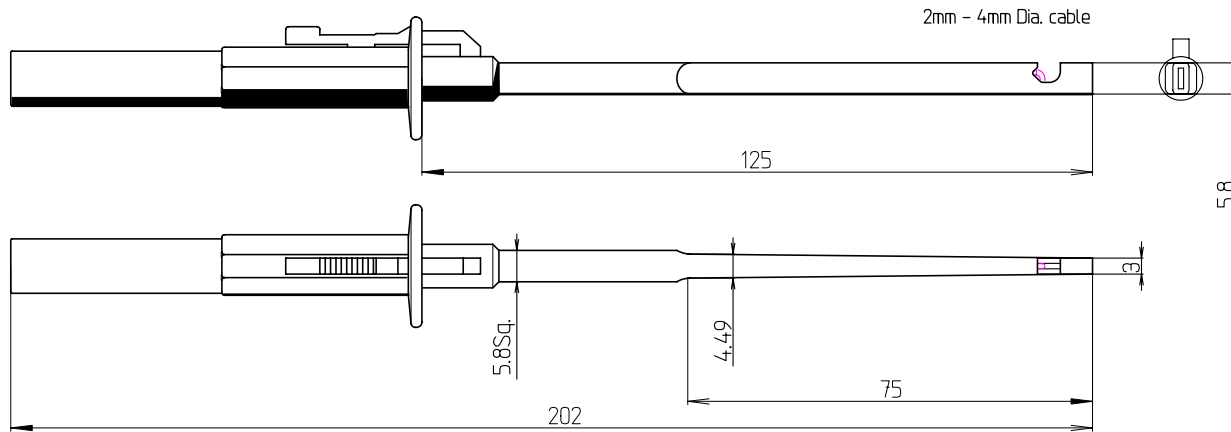
Scale
FULL SIZE

PROJECT No.

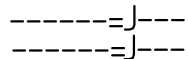
Extended Cable Piercer: 121048B



Extended Cable Piercer: 121048R



ASSEMBLY JIG NUMBERS



PACKAGING

Poly Bag: 111500

PRINTING AS ILLUSTRATED

TOLERANCES

CABLE LENGTHS +/- 5%

DO NOT SCALE.
ALL DIMENSIONS IN mm.