

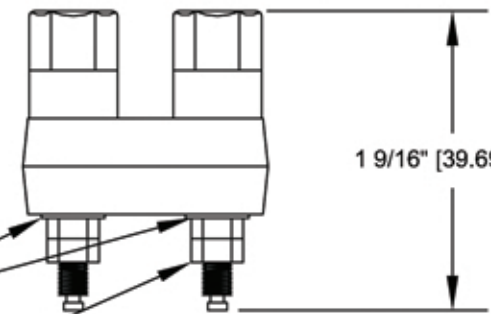
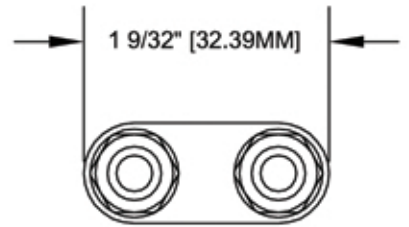
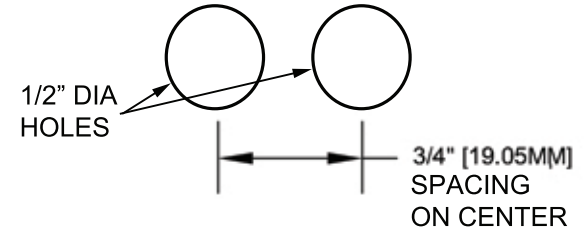
Date	DRN BY	TITLE
4-10-10	MEA	BU-00283 DUAL FIVE-WAY BINDING POST
MAT'L	SCALE	CURRENT RATING:
STEEL	NONE	15 AMP

ISSUE NO.	0	1	2
	4-10-10	4-26-10	5-1-10

PART NO.	502018
PROJ. NO.	

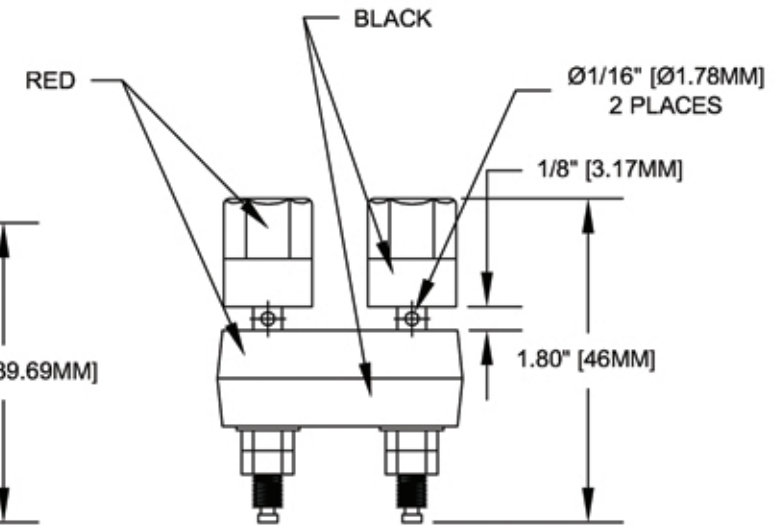
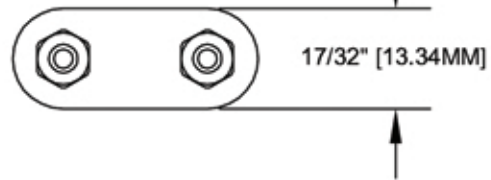
This drawing is not to be disclosed to a third party without the authority from the company ©

Panel Cutout Specs



LOCK WASHER 2 REQ'D

NUT SIZE= 8-32 THREAD
4 REQUIRED



OPEN POSITION

FINISH: NICKEL PLATED

ASSEMBLY NO.	PACKAGING :	PRINTING AS ILLUSTRATED	CONCENTRICITY:	ANGLES
--------------	-------------	-------------------------	----------------	--------