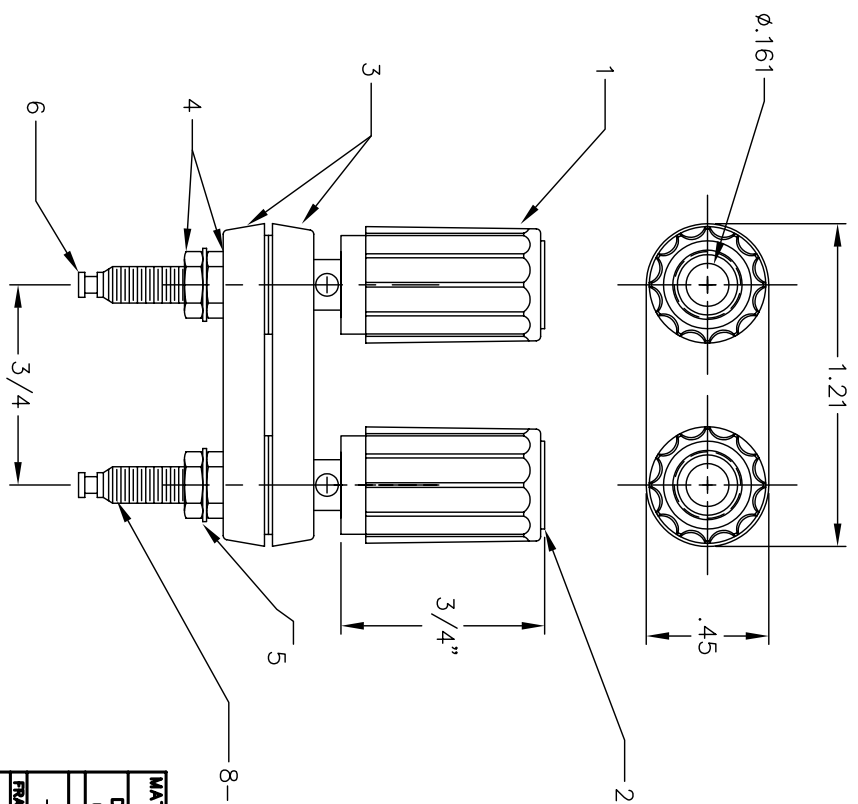
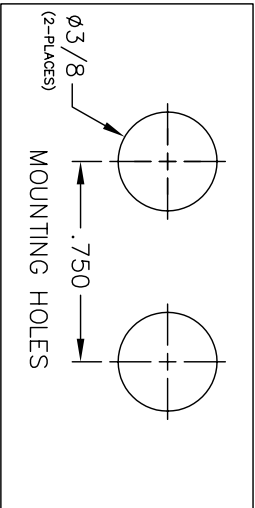


BILL OF MATERIALS				
DET.	QTY.	DESCRIPTION	MATERIAL	FINISH
1	1	CAP	LEXAN	----
2	1	CAP	LEXAN	----
3	2	INSULATOR	LEXAN	----
4	4	HEX NUT	BRASS	NICKEL
5	2	FLAT WASHER	BRASS	NICKEL
6	2	BODY	BRASS	TIN
7	2	RING	STAINLESS STEEL	----
8	2	LOCK WASHER	STEEL	NICKEL



8-32 UNC-2A THD



PART#	DET 1	DET 2
1810RB	RED	BLACK
1810RR	RED	RED
1810BB	BLACK	BLACK

ELECTRICAL SPECIFICATIONS: VOLTAGE: 1 KV
 CURRENT: 15 AMPS
 CAPACITANCE: 4.5 pF

MATERIAL:	SEE TABLE	FINISH:	SEE TABLE
DIMENSIONAL TOLERANCES	UNLESS OTHERWISE SPECIFIED	TITLE:	1810-SERIES 5-WAY, DUAL BINDING POST ASSY.
.XX	.XXX	DRAWN:	T. LORD DATE: 9/15/04
---	---	CHECKED:	T. LORD DATE: 9/15/04
---	---	APPROVED:	T. LORD DATE: 9/15/04
FRACTIONS	SCALE	SIZE	B
---	2X	DRAWING NUMBER	SD: 1810
HEAT TREAT	---	ISSUE	-
PLOT SCALE:	1=1	ABBATRON Electronic Connectors and Hardware 13680 S. MOSERTOWN RD MEADVILLE, PA 16335	

REVISIONS		
SYM	DESCRIPTION	REVISED DATE APPR