

TECHNICAL CHARACTERISTICS

SPECIFICATION

- >Rating: 50mA, 12VDC
- >Contact Resistance:
 - Initial: 100mOHM max.
 - After Life Test: 20HM max.
- >Insulation Resistance: min. 100MOHM at 500VDC
- >Dielectric Strength: 250VAC for 1 minute
- >Stroke: 0.3 ± 0.1 mm

MATERIAL

- >Cover: Stainless Steel
- >Stem: LCP UL 94V-0
- >Frame: LCP UL 94V-0, color Black
- >Contact: Stainless Steel with silver cladding
- >Terminal: copper alloy with tin plating
- >Tape: Polyimide tape

SOLDERING INFORMATION

- >Terminal in THT version
- >Wave soldering 260°C 10 sec. max.
- >Hand soldering under 350°C for 3 sec. max

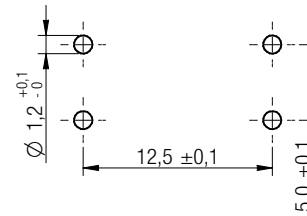
ENVIRONMENTAL

- >Storage condition: -40°C ~ +85°C
- >Operation condition: -40°C ~ +85°C
- >Compliance: Lead Free, ROHS, Reach

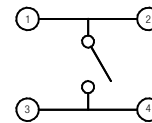
PACKAGING INFORMATION

>Bulk

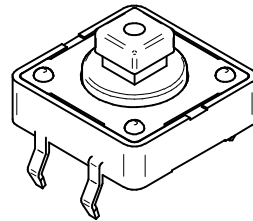
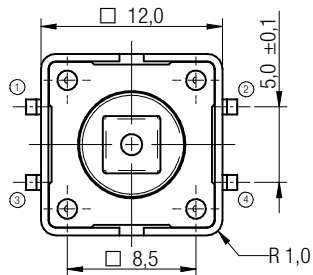
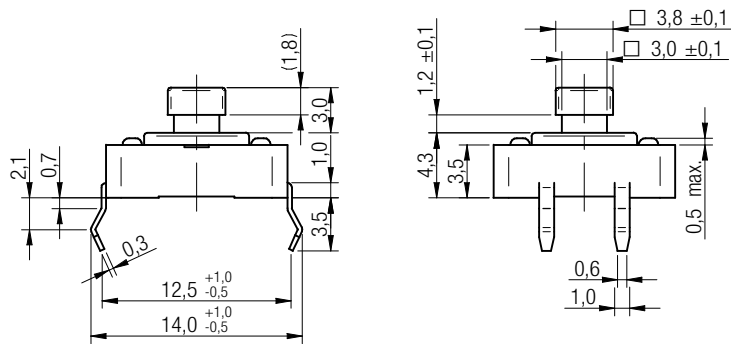
| PN | Force | Color of Stem | Life cycle |
|-----------------|-------------|---------------|------------|
| 430 476 073 716 | 160g ± 50gf | Black | 500.000 |
| 430 466 073 726 | 260g ± 70gf | White | 300.000 |
| 430 456 073 736 | 360g ± 90gf | Salmon | 200.000 |



P.C.B. MOUNTING PLAN



SCHEMATIC



Scale - 2:1

This electronic component is designed and developed with the intention for use in general electronics equipments.

Before incorporating the components into any equipments in the field such as aerospace, aviation, nuclear control, submarine, transportation, (automotive control, train control, ship control), transportation signal, disaster prevention, medical, public information network etc. where higher safety and reliability are especially required or if there is possibility of direct damage or injury to human body, Würth Elektronik must be asked for a written approval.

In addition, even electronic component in general electronic equipments, when used in electrical circuits that require high safety, reliability functions or performance, the sufficient reliability evaluation-check for the safety must be performed before by the user before usage.

| WE WÜRTH ELEKTRONIK | | Projection | | GENERAL TOLERANCE | | Basic material | |
|------------------------|-------------------|------------|----|-------------------------------------|------------------|---|-----|
| | | | | .x = +/- 0,2 | | | |
| | | | | .xx = +/- 0,15 | | | |
| | | | | Date | Name | DESCRIPTION | |
| | | | | Drawn | 11-02-14 | SwTSW | |
| | | | | Checked | | WS-TSW 12x12mm washable Tact Switch with square actuator, THT version | |
| | | | | | | Scale | 2:1 |
| | | | | | | Position | |
| b | warning text | 11-10-28 | WJ | WE Würth Elektronik eiCan CAD | | Drawing.- No. 4304x60737x6 | |
| a | Material of Frame | 11-04-12 | WJ | eiCan | | A4 | |
| REV | FILE | DATE | BY | EDV NO | 4304x60739x6.dft | System Solid Edge V20 | |