

Pushbutton Switches

Ultra Miniature



**RoHS
Compliant**

Specifications

Contact Rating : 0.4 VA max. @ 20 V AC or DC max.
 Mechanical Life : 40,000 make-and-break cycles.
 Contact Resistance : Below 100mΩ typ. initial @ 2-4V DC, 100mA.
 Insulation Resistance : 500mΩ min.
 Dielectric Strength : 500Vrms min. @ sea level.
 Operating Temperature : -30°C to 85°C

Materials

Housing and Base : Glass filled nylon 6/6 or 4/6 , flame retardant, heat stabilized
 Actuator : Glass filled nylon 6/6 , flame retardant, heat stabilized, with standard internal O-ring seal.
 Switch Support : Steel, with Sn plate.
 Contacts/Terminals : Gold plated copper alloy.



Switch Function

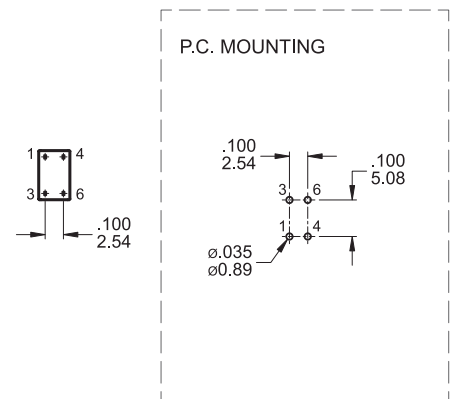
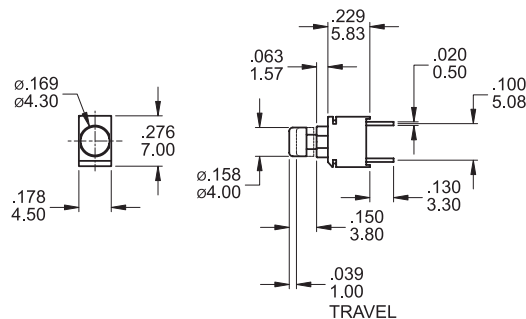
No. Poles	Model No.	Switch Function		Connected Terminals / Schematic	
		Position 1	Position 2	Position 1	Position 2
SP	8US9	ON	MOM	5-6 	5-4
	8US8	OFF	MOM	Open	4-6
DP	8UD9	ON	MOM	2-3, 5-6 	2-1, 5-4
	8UD8	OFF	MOM	Open	1-3, 4-6

MOM = MOMENTARY

Pole Options

SPDT

8US9R2A2M2RES



Dimensions : Inches (Millimetres)

www.element14.com
 www.farnell.com
 www.newark.com



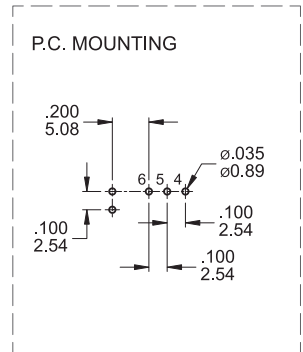
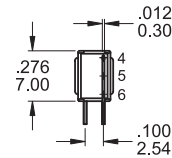
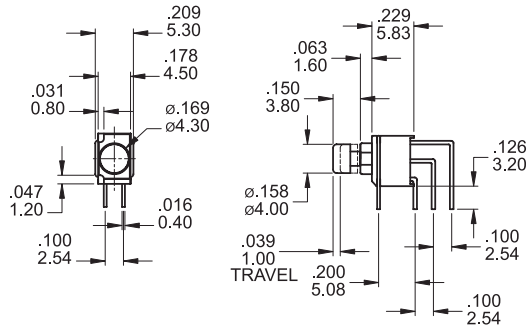
Pushbutton Switches

Ultra Miniature



SPDT

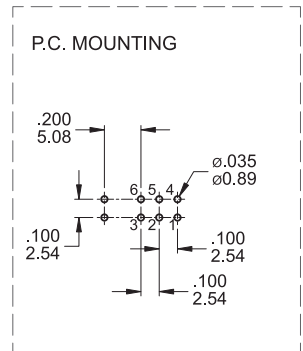
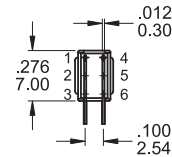
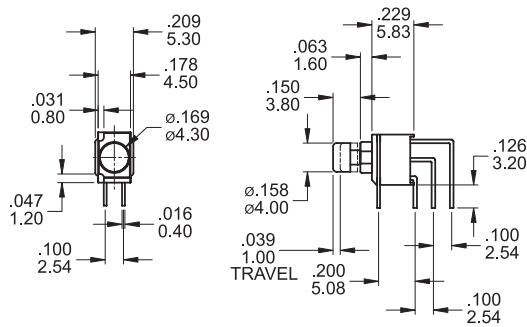
8US8WR2C2M7RES



Dimensions : Inches (Millimetres)

DPDT

8UD8WR2C2M7RES



Dimensions : Inches (Millimetres)

Soldering Process:

- Wave soldering : Recommended soldering temperature : 260 \pm 5°C
- : Duration of solder immersion : Max. 5 seconds (PCB is 1.6 mm in thickness)
- Soldering : Vapour phase



Pushbutton Switches

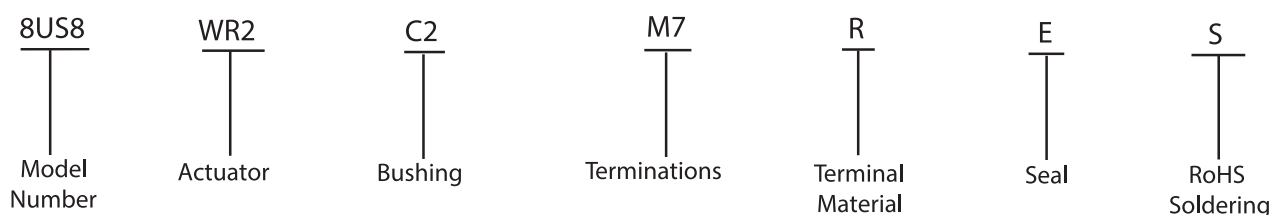
Ultra Miniature



Part Number Table

Description	Part Number
Switch, SPDT, Off-MOM, PCB, Sealed	8US9R2A2M6RES
Switch, SPDT, Off-MOM, Right / Angle, Sealed	8US9R2A2M7RES
Switch, SPDT, Off-MOM, Vert Right / Angle, Sealed	8US9R2A2M2RES
Switch, SPDT, On-MOM, Right / Angle, Sealed	8US8WR2C2M7RES
Switch, DPDT, On-MOM, Right / Angle, Sealed	8UD8WR2C2M7RES
Switch, DPDT, Off-MOM, PCB, Sealed	8UD9R2A2M2RES
Switch, DPDT, Off-MOM, Right / Angle, Sealed	8UD9R2A2M6RES
Switch, DPDT, Off-MOM, Vert Right / Angle, Sealed	8UD9R2A2M7RES

Part Number Explanation:



- Model Number : 8US8 = SP On-Mom, 8UD8 = DP On-Mom, 8US9 = SP Off-Mom and 8UD9 = DP Off-Mom
- Actuator : WR2 = CAP (Black std), R2 = CAP (Black std)
- Bushing : C2 = 1.6 high (STD)
- Terminations : M2 = PC thru-hole, M6 = Right angle, PC thru-hole and M7 = Vertical right angle, PC thru-hole
- Terminal Material : R = Gold
- Seal : E = Epoxy (std)
- RoHS Soldering : S = RoHS and Lead Free

Important Notice : This data sheet and its contents (the "Information") belong to the members of the Premier Farnell group of companies (the "Group") or are licensed to it. No licence is granted for the use of it other than for information purposes in connection with the products to which it relates. No licence of any intellectual property rights is granted. The Information is subject to change without notice and replaces all data sheets previously supplied. The Information supplied is believed to be accurate but the Group assumes no responsibility for its accuracy or completeness, any error in or omission from it or for any use made of it. Users of this data sheet should check for themselves the Information and the suitability of the products for their purpose and not make any assumptions based on information included or omitted. Liability for loss or damage resulting from any reliance on the Information or use of it (including liability resulting from negligence or where the Group was aware of the possibility of such loss or damage arising) is excluded. This will not operate to limit or restrict the Group's liability for death or personal injury resulting from its negligence. Multicomp is the registered trademark of the Group. © Premier Farnell plc 2012.

