

# Industrial Audible Signal - 106 dB (A)

## Series YA40



www.stahl.de



- > Max sound output 106 db (A) / 1 m
- > IP65 rated as standard
- > 32 selectable tones meeting international regulations
- > Flame retardant ABS enclosure
- > Stainless steel fixings
- > 2 stage alarm
- > Multi stage unit with up to 8 individually selectable stages is available
- > Complies with BS 5839
- > Low current consumption
- > Robust, reliable and simple to install



14569E00

**Yodalarm range**  
Compact multi-purpose audible signalling device designed for use in industrial applications.

### Approvals

Certificates	
	UL 464
	C22.2 No. 205-M1983
	BS EN 54-3 : 2001 incorporates amendment A 1 : 2002 + A 2 : 2006
	BS EN 54-3 : 2001 incorporates amendment A 1 : 2002 + A 2 : 2006
	VdS 2504 (12/96), VdS 2203 (03/01), VdS 2344 (12/05), Cert No. G28702, VdS approval applies to selected models only. Contact sales for details, DIN EN 54, part 3 (10/01).
Multi stage units do not carry these approvals. They are designed in accordance with BS EN54-3	

**WebCode YA40A**

# Industrial Audible Signal - 106 dB (A)

## Series YA40



### Selection Table

Version	Enclosure colour	Rated operational voltage	Order number	Art. no.	Weight
					kg
YA40 Sounder, , BS EN 54-3, standard devices	red normal (RN)	24 V DC	<b>YA40/D/RN/WR</b>	<b>204330</b>	0.250
		115 V AC	<b>YA40/L/RN/WR</b>	<b>204354</b>	0.350
		230 V AC	<b>YA40/N/RN/WR</b>	<b>204364</b>	0.350
YA40 Sounder, UL certification	red normal (RN)	24 V DC	<b>YA40/D/RN/UL</b>	<b>204869</b>	0.250
		115 V AC	<b>YA40/L/RN/UL</b>	<b>211983</b>	0.350
		230 V AC	<b>YA40/N/RN/UL</b>	<b>211984</b>	0.350
YA40 Sounder, VDS certification	red normal (RN)	24 V DC	<b>YA40/D/RN/WR/VDS</b>	<b>211985</b>	0.250
YA40 Multi stage unit	red normal (RN)	24 V DC	<b>YA40/D/RN/WR/MS</b>	<b>212362</b>	0.250
Note	Other voltages and variants are available. Please contact your local sales office for more details				

### Technical Data

#### Electrical data

Rated operational voltage	standard: 12, 24 or 48 V DC 115 or 230 V AC $\pm 10\%$ 12 V DC versions will produce approx. 6 dB less output <b>multi stage unit:</b> 24 V DC $\pm 10\%$
Current consumption	24 V DC - 35 mA* 115 V AC - 25 mA* 230 V AC - 13 mA* * at tone 1 ** Voltages do not apply to multi stage units
Line monitoring	line monitoring excludes additional voltage options: <ul style="list-style-type: none"> <li>• 3 wire, 2 stage or 2 wire, single stage: monitor via reverse polarity</li> <li>• 2 wire, 2 stage i.e. bi-polar inputs: monitor via threshold (applied voltage &lt; 1 V)</li> </ul> <b>multi stage unit:</b> 2 wire polarised, single stage: monitor via reverse polarity

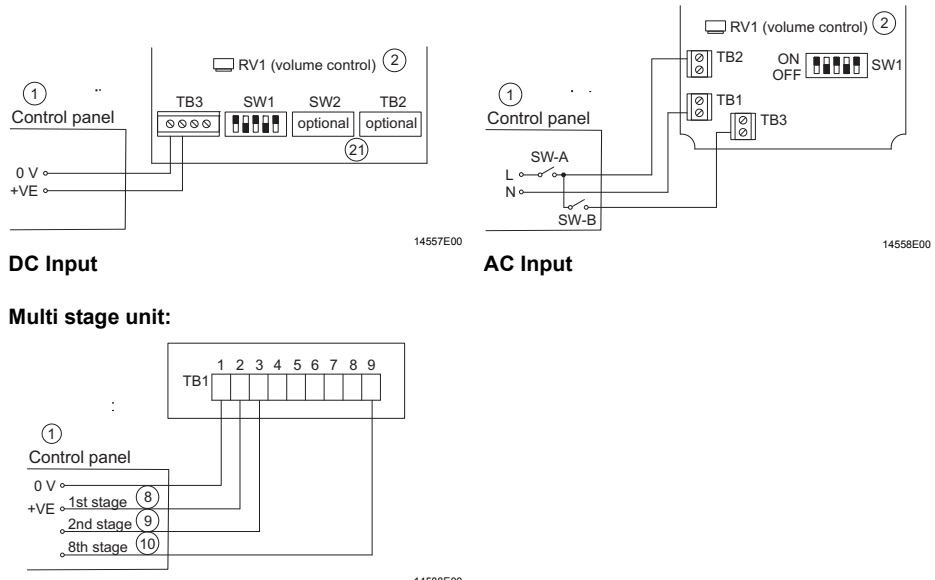
# Industrial Audible Signal - 106 dB (A)

## Series YA40



### Technical Data

#### Schematic



for all stages connect 0 V to terminal 1, for 1st stage connect +VE to terminal 2, for 2nd stage connect +VE to terminal 3, etc., up to 8th stage with +VE connected to terminal 9  
 Note: only appropriate 2 wires are required to be connected for each stage.  
 for AC units 0 V = NEUTRAL and +VE = LIVE.  
 for sound selection all stages have independently selectable 5 way DIL switches.  
 SW1 = stage 1, SW2 = stage 2, etc.

#### Legend

- 1 = External power supply, provided by user
- 2 = Volume control
- 8 = Supply voltage for independent first stage
- 9 = Supply voltage for independent second stage
- 10 = Supply voltage for independent eighth stage
- 21 = SW2 is optional for independent 2nd stage. TB2 is optional for 2nd set of terminal blocks.

#### Acoustic data

Volume	106 db (A) / 1 m volume control allowing 18 db (A) adjustment
Sound selection	via DIL switch Optional independent 2nd stage via second DIL switch (DC only) (not for multi stage unit)

#### Ambient conditions

Operating temperature range	UL: - 35 ... + 66 °C EN 54-3: - 25 ... + 55 °C VdS: - 25 ... + 40 °C
Storage temperature	- 40 ... + 70 °C
Max. relative humidity	95 % at 40 °C

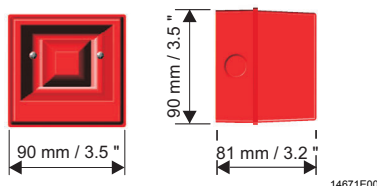
#### Mechanical data

Material	ABS, flame retardant
Enclosure	IP 65 standard on all units

#### Assembly / Installation

Assembly	Should be mounted to a reasonably flat wall or bulkhead of suitable material using the internal fixing holes. The recommended fixing screws are dia. 4.5 mm max. x 20 mm long. To maintain the integrity of the weather seal, the cable entry must be fitted using a suitable sealed gland.
----------	---

#### Dimensional Drawings (All Dimensions in mm / inches) - Subject to Alterations



We reserve the right to make alterations to the technical data, dimensions, weights, designs and products available without notice. The illustrations cannot be considered binding.