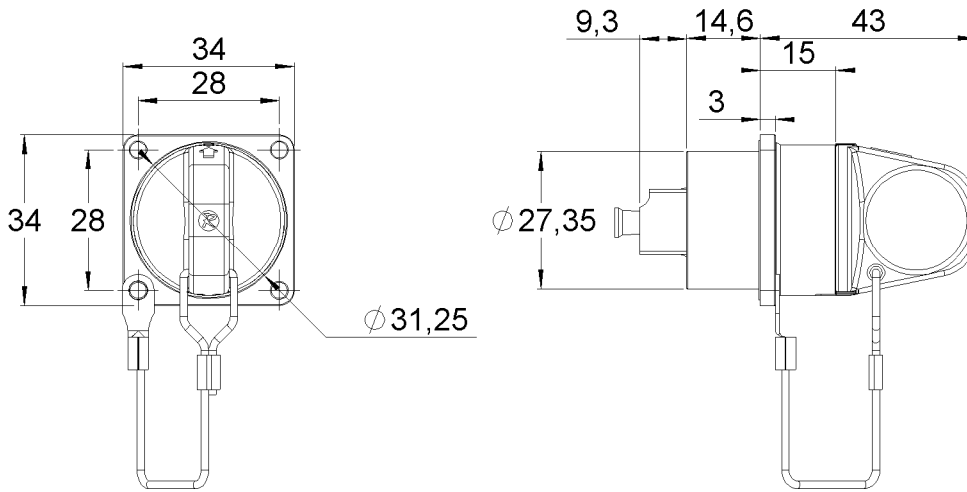
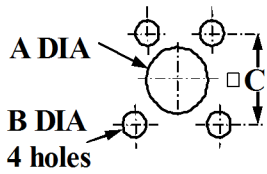


PAGE 1/2	ISSUE 1402B	SERIES OSIS	PART NUMBER OSIS107102
----------	-------------	-------------	-------------------------------

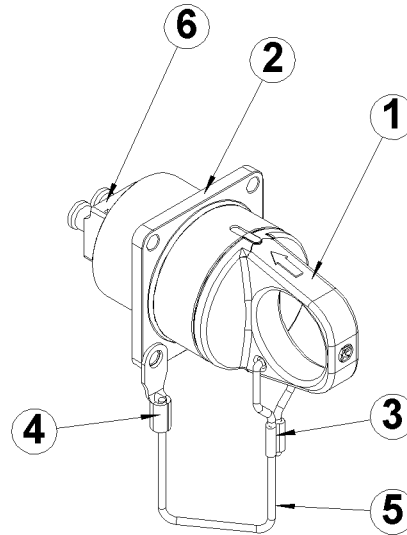
Dimensions in mm



PANEL CUT OUT



	mm	
	Maxi	mini
A	27.5	27.7
B	M3	
C	28.05	27.95



Scale 1:1

DESCRIPTION

REP	COMPONENT	MATERIALS	PLATING
1	Cap	ABS 10SS	-
2	Receptacle body	Aluminum	Anodized
3	Sleeve	Brass	BBR
4	Lug	Brass	BBR
5	Rope	PA	-
6	Adaptor LC MM	-	-

PAGE 2/2	ISSUE 1402B	SERIES OSIS	PART NUMBER OSIS107102
----------	--------------------	--------------------	-------------------------------

Dimensions in mm

GENERAL CHARACTERISTICS

Optical Signal	-	MultiMode
Mechanical Mating endurance Tensile load Vibration	IEC 61300-2-2 IEC 61300-2-4 IEC 61300-2-1	100 cycles 100N Passed
Environmental Protection class Operating temperature Storage temperature Humidity (damp heat) Salt Mist RoHS	IEC 60529 IEC 61300-2-22 IEC 61300-2-22 IEC 61300-2-19 IEC 61300-2-26 -	IP67 mated -40°C to +85°C -25°C to +75°C 5% to 95% RH 96h Compliant
Others: Compatibility Weight Packaging	- - -	For use with OSIS Plug OSIS.115.000 30 g 50 parts in 5L box