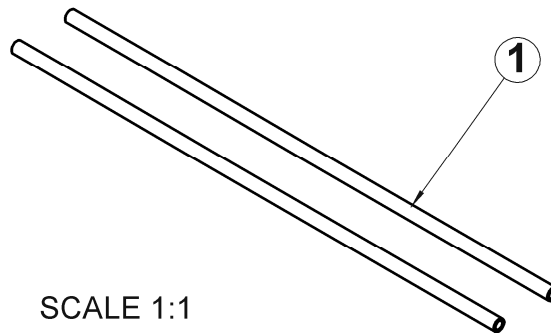
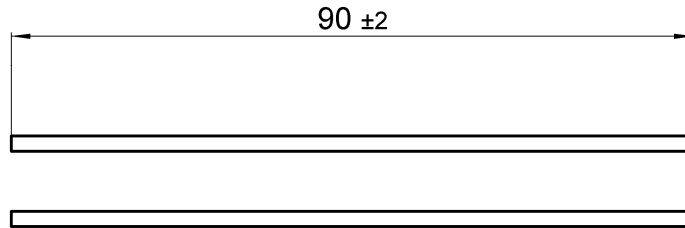


Dimensions in mm



SCALE 1:1

DESCRIPTION

REP	COMPONENT	MATERIALS	PLATING
1	TUBE (x2)	SILICONE	-

<p>CREATION N°Project : EPF0901 Name : OSIS Date : 01/10/2010 Appr. : DUPEUX</p>					<p>RADIALL® 101, rue P. Hoffmann 93116 ROSNY/BOIS FRANCE Tel : (33) 0149353535 Fax : (33) 0148546363</p>
	1039 A	Creation	DURAND	DUPEUX	
	Issue	Revisions	Name	Appr.	

TECHNICAL DATA SHEET	Serial	Issue	Page
	OSIS	1039 A	2/2

Dimensions in mm

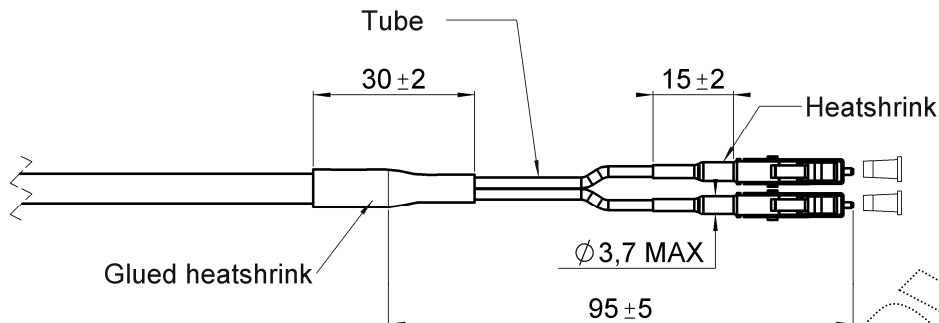
GENERAL CHARACTERISTICS

Color	Black (for other colors, contact us)
Material	Silicone, 60 Shore A
Operating temperature	-40°C to + 85°C

PACKAGING

Standard : 100 kits of 2 tubes per box
 For other packaging, contact us.

TUBING RECOMMENDATION



NOTA : To be used with optical LC patch cords for OSIS Plug : OSIS.115.000 and variations

CREATION N°Project : EPF0901 Name : OSIS Date : 01/10/2010 Appr. : DUPEUX				
	1039 A	Creation	DURAND	DUPEUX
	Issue	Revisions	Name	Appr.

RADIALL®
 101, rue P. Hoffmann
 93116 ROSNY/BOIS
 FRANCE
 Tel : (33) 0149353535
 Fax : (33) 0148546363