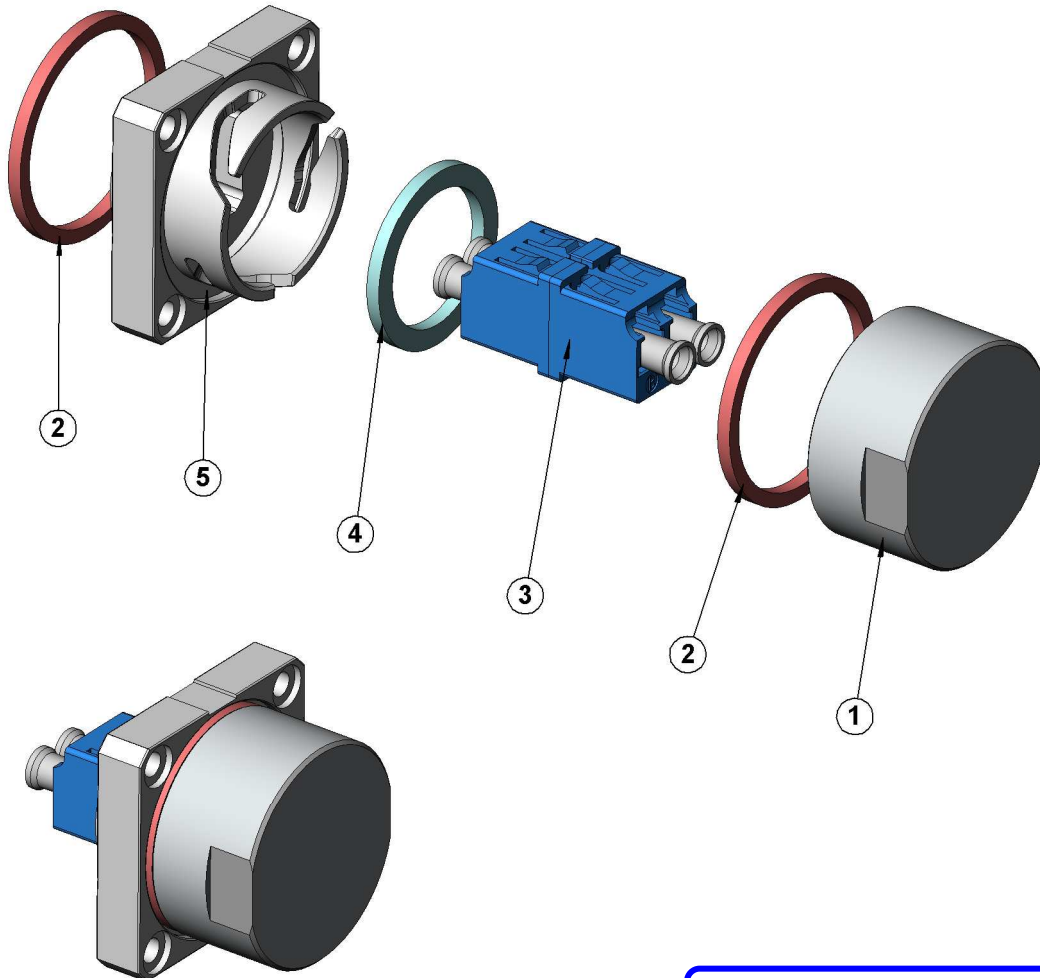


Dimensions in mm



PATENT PENDING

DESCRIPTION

REP	COMPONENT	MATERIALS	PLATING
1	PROTECTION CAP	ALUMINIUM (matt finish)	NONE
2	GASKET CONNECTION SEALING	SILICONE	
3	LC ADAPTOR (BLUE)	PEI	
4	GASKET	SILICONE	
5	RECEPTACLE BODY	BRASS	NICKEL

CREATION
 N°Project : EPC0812
 Name : MR
 Date : 11/04/11
 Appr. : BD

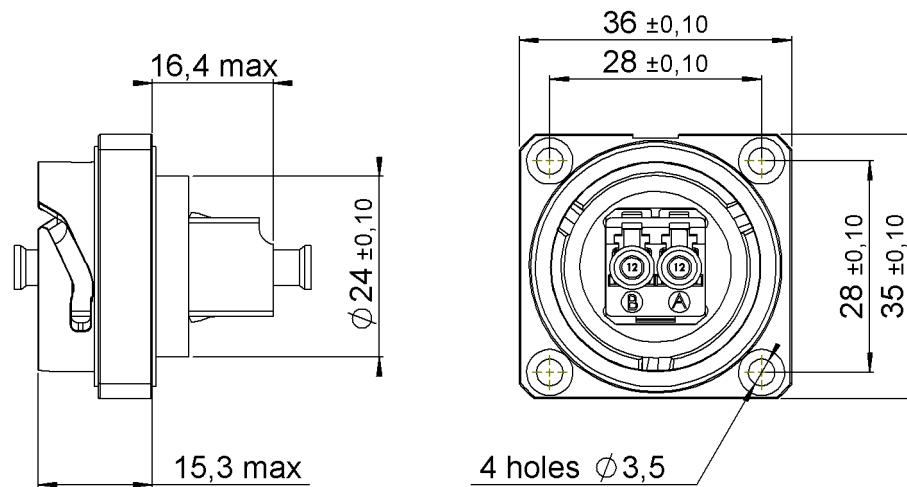
1212 A	Add matt finish on protection cap	G CHEN	F WU	
1114 A	Creation	MR	BD	
Issue	Revisions	Name	Appr.	

RADIALL®
 101, rue P. Hoffmann
 93116 ROSNY/BOIS
 FRANCE
 Tel : (33) 0149353535
 Fax : (33) 0148546363

Dimensions in mm

GENERAL CHARACTERISTICS

Mechanical Endurance	200 mating cycles
Optical Signal Alignment sleeve Other information	Singlemode Zirconia See technical data sheet F727.750.000
Environmental Protection Operating temperature	IP65 (plugged) -40°C to +85°C
Weight	77g



PACKAGING :

56 pieces in one cardboard box (volume = 5 L)

CREATION N°Project : EPC0812 Name : MR Date : 11/04/11 Appr. : BD				
	1212 A	Add matt finish on protection cap	G CHEN	F WU
	1114 A	Creation	MR	BD
	Issue	Revisions	Name	Appr.

RADIALL®
 101, rue P. Hoffmann
 93116 ROSNY/BOIS
 FRANCE
 Tel : (33) 0149353535
 Fax : (33) 0148546363