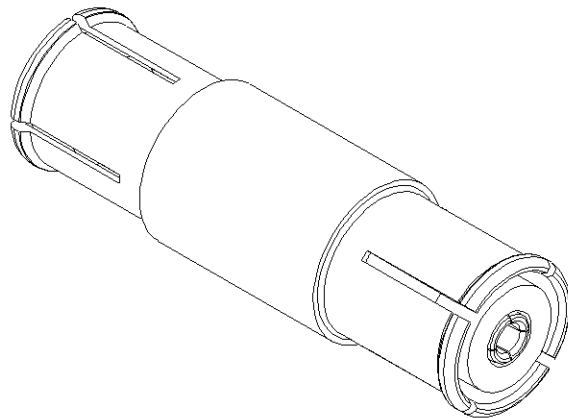
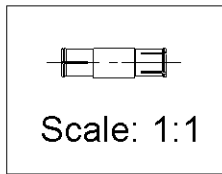
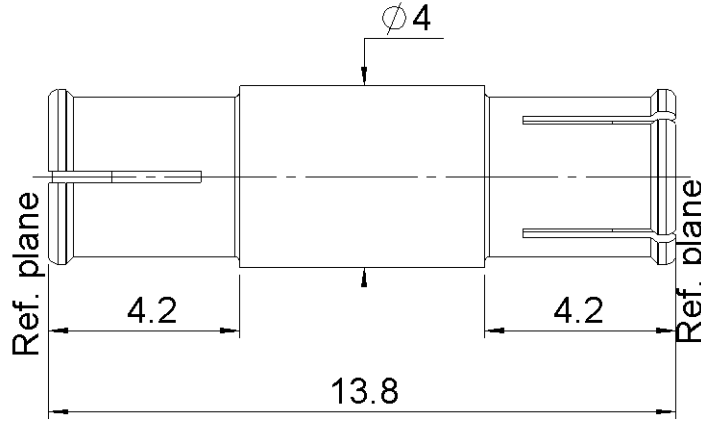


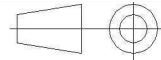
STRAIGHT FEMALE-FEMALE ADAPTER

R222.M40.080

Series : SMP-MAX



All dimensions are in mm.



COMPONENTS	MATERIALS	PLATING (µm)
BODY	BERYLLIUM COPPER	NPGR
CENTER CONTACT	BERYLLIUM COPPER	NPGR
OUTER CONTACT		
INSULATOR	PTFE	
GASKET		
OTHERS PARTS		
-	-	-
-	-	-

Issue : 1209 B

In the effort to improve our products, we reserve the right to make changes judged to be necessary.



STRAIGHT FEMALE-FEMALE ADAPTER

R222.M40.080

Series : **SMP-MAX**

PACKAGING

Standard	Unit	Other
100	'W' option	Contact us

SPECIFICATION

ELECTRICAL CHARACTERISTICS

Impedance		50	Ω
Frequency		0-6	GHz
VSWR	1.25* +	0,0000	x F(GHz) Maxi
Insertion loss		0.15*	\sqrt{F} (GHz) dB Maxi
RF leakage	- (NA	- F(GHz)) dB Maxi
Voltage rating		335	Veff Maxi
Dielectric withstanding voltage		1000	Veff mini
Insulation resistance		5000	M Ω mini

CABLE ASSEMBLY

Stripping	a	b	c	d	e	f
mm	0,00	0,00	0,00	0,00	0,00	0,00

Assembly instruction :

Recommended cable(s)

MECHANICAL CHARACTERISTICS

Center contact retention			
Axial force – Mating end		7	N mini
Axial force – Opposite end		7	N mini
Torque		NA	N.cm mini

Characteristics indicated on this data sheet are those that can be achieved with the highest performance cable. Intrinsic limitations of the cable may diminish the performance of the assembly

Cable retention

- pull off		N mini
- torque		N.cm

TOOLING

Recommended torque			
Mating		NA	N.cm
Panel nut		NA	N.cm
Clamp nut			N.cm
A/F clamp nut		0,0000	mm

Part Number	Description	Hexagon
.	.	.

OTHER CHARACTERISTICS

Mating life		100	Cycles mini
Weight		0,5700	g

*VSWR: up to 3GHz; 3-6GHz, 1.35 max

*Coaxial Transmission Line Only

ENVIRONMENTAL

Operating temperature		-55/+165	$^{\circ}$ C
Hermetic seal		NA	Atm.cm3/s
Panel leakage		NA	

Issue : **1209 B**

In the effort to improve our products, we reserve the right to make changes judged to be necessary.

