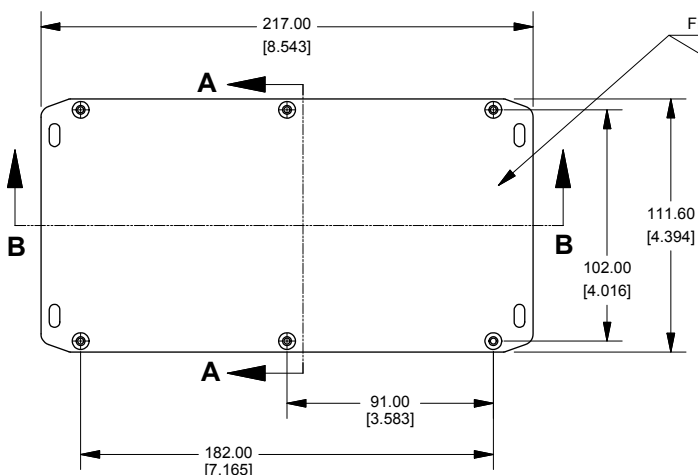
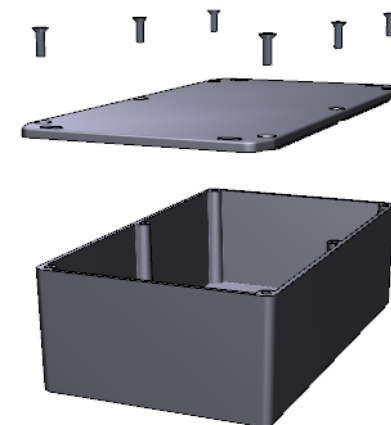
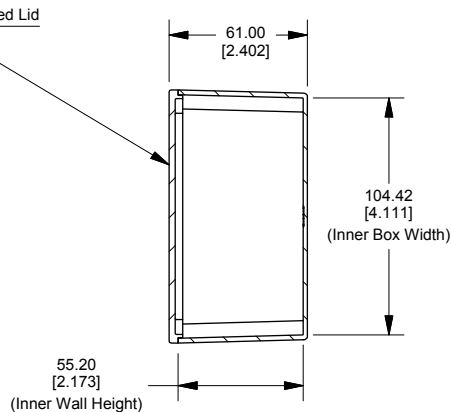


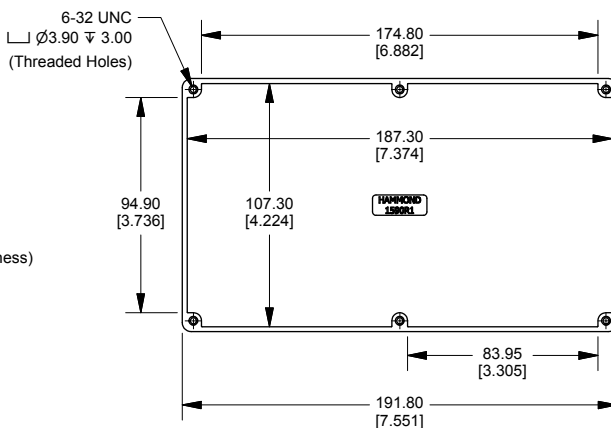
Top View of Assembly



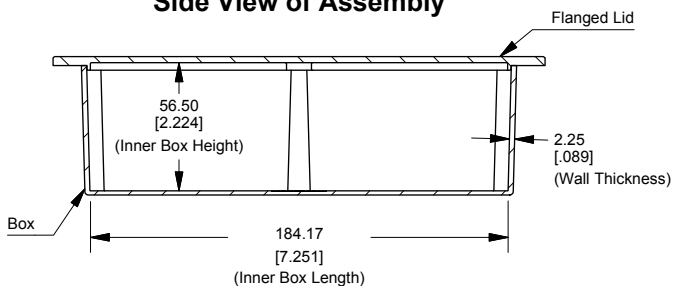
SECTION A-A End View of Assembly



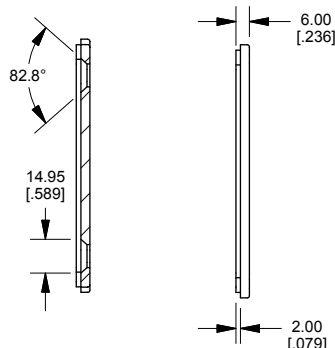
Top View Looking Inside Box



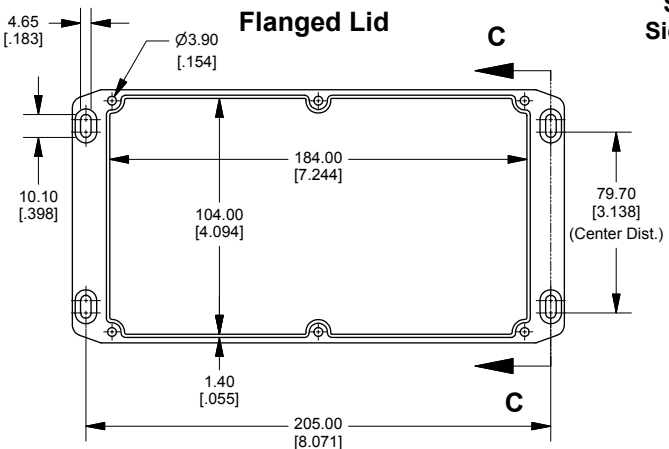
SECTION B-B Side View of Assembly



SECTION C-C Side View of Slot



Flanged Lid



Enclosures can be Factory Modified (Milling, Drilling, Printing etc.)
 Contact Factory mjm@hammondmfg.com for quotes
 Solid models of this enclosure available in STEP or IGES.

NOTE	
Purchased assembly includes box, lid and 6 cover screws.	
Box and lid are made from Diecast Aluminum Alloy.	
Silicone Gasket supplied with liquid resistant enclosure.	

PART NUMBERS	
1590R1FL Enclosure	
Natural Finish Enclosure	1590R1FL
Black Textured Enclosure	1590R1FLBK
1590R1FL Liquid Resistant Enclosure (Silicone Gasket)	
Natural Finish Enclosure	1590WR1FL
Black Textured Enclosure	1590WR1FLBK
ACCESSORIES	
Recommended Torque: 75 ozf.in / 55 cN.m	
Liquid Resistant Cover Screws	
Stainless Steel Cover Screws (Pkg 100) [6-32 x 1/2" With O-Ring]	1590WMS100
Black Stainless Steel Cover Screws (Pkg 100) [6-32 x 1/2" With O-Ring]	1590WMS100BK
Standard Cover Screws	
Plated Cover Screws (Pkg 100) [6-32 x 1/2"]	1590MS100
Black Cover Screws (Pkg 100) [6-32 x 1/2"]	1590MS100BK

1590R1FL
www.hammondmfg.com

Dimensions:
 mm
 [inches]