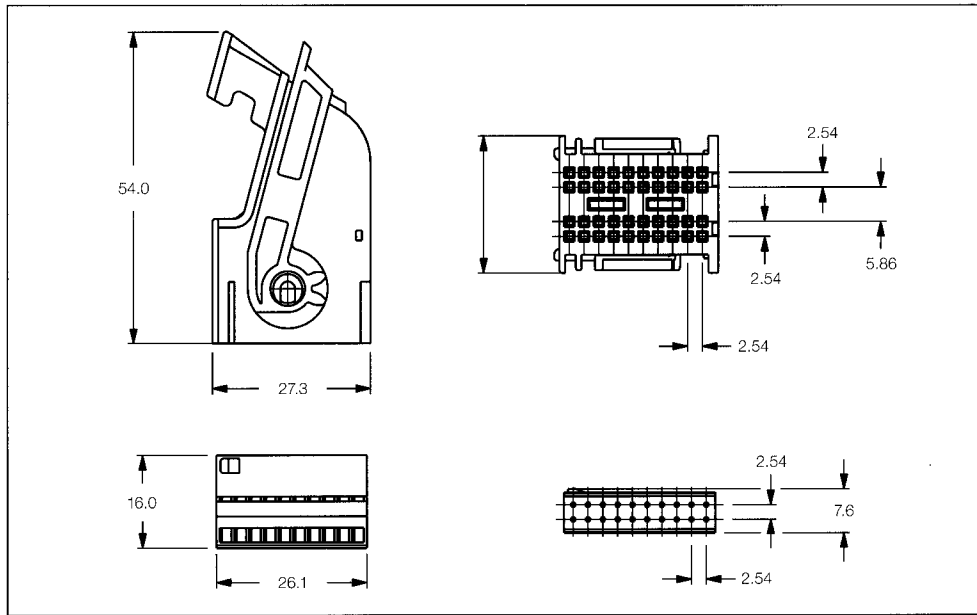


Receptacle Housings

Technical Features

- No. of Positions:**
40 Positions (20 + 20 Kit)
- Housing Material:**
PA 66 GF
- Wire Size Range:**
0.35–0.5 mm²
- Product Specification:**
—
- Application Specification:**
—

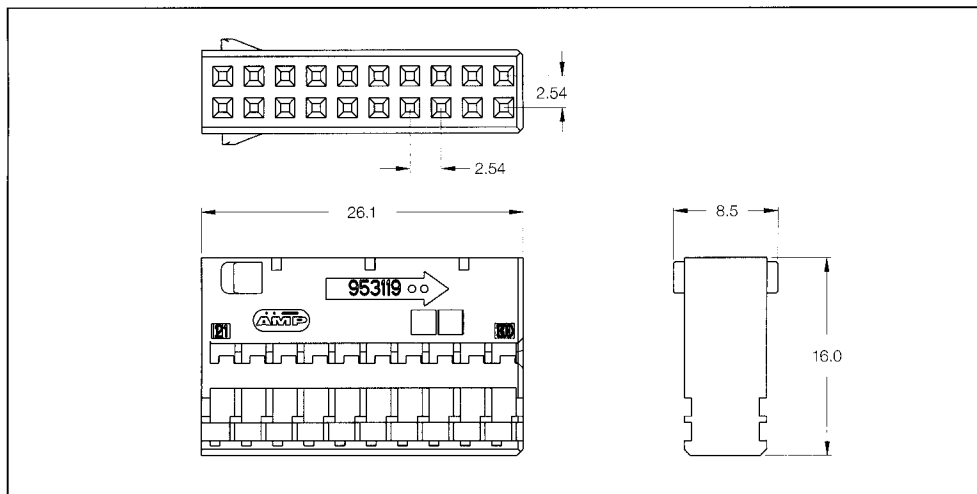


40 Position Receptacle Housings

No. of Pos.	Keying Options	Housing Color	Part Numbers							
			Receptacle Housing	Cover	Locking Device	Cover and Lever	Retainer Housing	Mating Tab Housing	Mating PCB Header Right-Angle	Mating PCB Header Vertical
40	A	Black	284229-1	—	—	—	—	—	—	284316
	B	Blue	284229-2	—	—	—	—	—	—	—

Technical Features

- No. of Positions:**
40 Positions (20 + 20)
- Housing Material:**
PBT GF20
- Wire Size Range:**
0.35–0.75 mm²
- Product Specification:**
108-15178
- Application Specification:**
411-15597



40 Position Receptacle Housings

No. of Pos.	Keying Options	Housing Color	Part Numbers							
			Receptacle Housing	Cover	Locking Device	Cover and Lever	Retainer Housing	Mating Tab Housing	Mating PCB Header Right-Angle	Mating PCB Header Vertical
40	—	Black	—	—	—	953122-1 or 953122-5	—	—	—	—
		Grey	—	—	—	953122-2 or 953122-6	—	—	—	—
		White	—	—	—	953122-3 or 953122-7	—	—	—	—
		Blue	—	—	—	953122-4 or 953122-8	—	—	—	—
		Green	953119-1	—	—	—	—	—	—	953118
		Brown	953119-2	—	—	—	—	—	—	—
		—	—	—	—	—	—	—	—	—