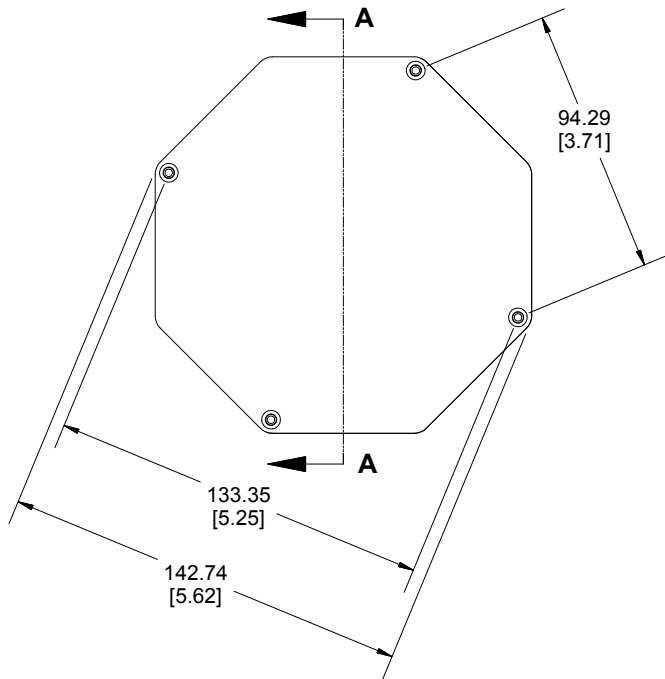
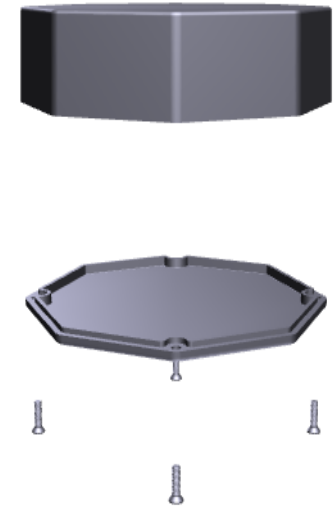
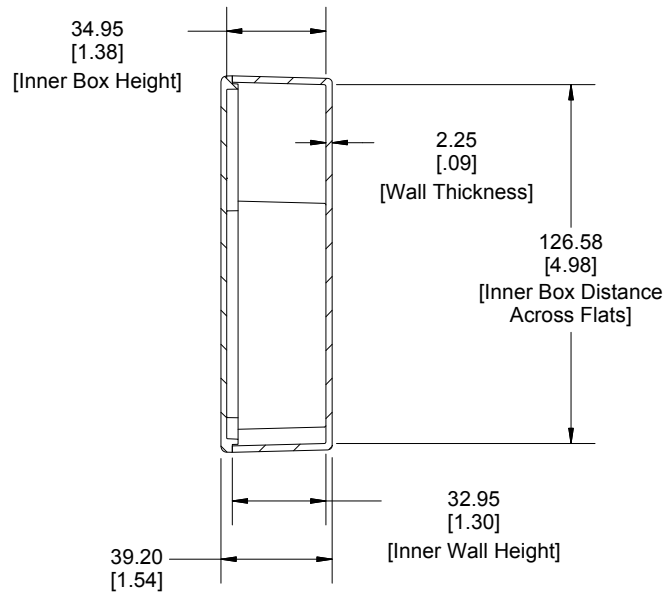


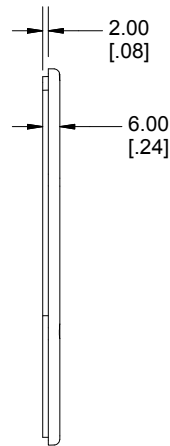
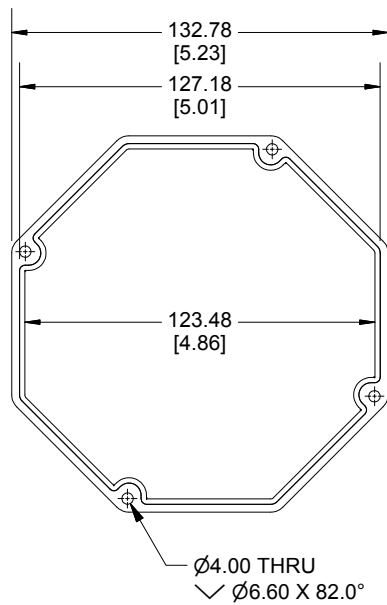
Top View of Assembly



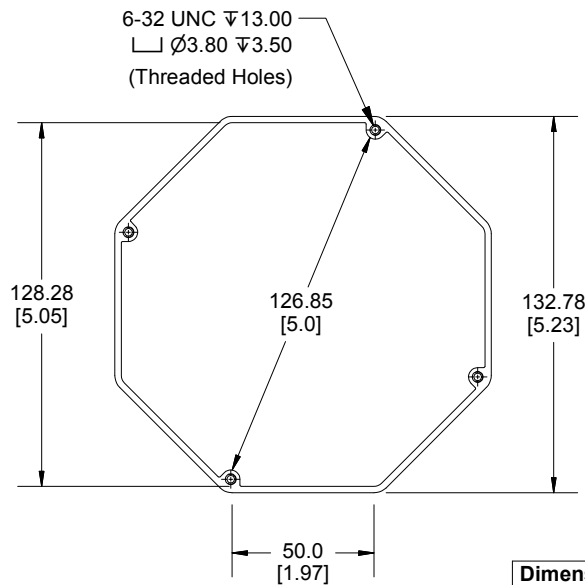
**SECTION A-A
Side View of Assembly**



Lid



Top View Looking Inside Box



Enclosures can be Factory Modified (Milling, Drilling, Printing etc.)
Contact Factory mjm@hammondmfg.com for quotes
Solid models of this enclosure available in STEP or IGES.

NOTE
Purchased assembly includes box, lid and 4 cover screws.
Box and lid are made from Diecast Aluminum Alloy.

PART NUMBERS	
1590STPC Enclosure	
Natural Finish Enclosure	1590STPC
Black Textured Enclosure	1590STPCBK
ACCESSORIES	
Recommended Torque: 75 ozf.in / 55 cN.m	
Plated Cover Screws (Pkg 100) [6-32 x 1/2"]	1590MS100
Black Cover Screws (Pkg 100) [6-32 x 1/2"]	1590MS100BK

**HAMMOND
MANUFACTURING™**

1590STPC

www.hammondmfg.com

Dimensions:
mm
[inches]