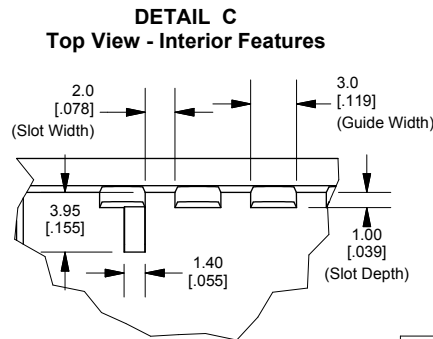
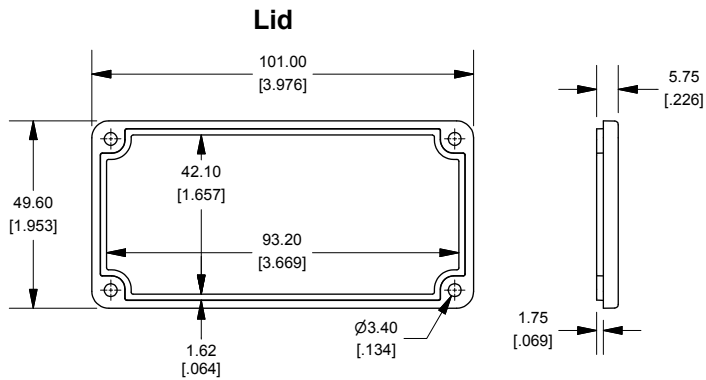


Enclosures can be Factory Modified (Milling, Drilling, Printing etc.)
 Contact Factory mjm@hammondmfg.com for quotes
 Solid models of this enclosure available in STEP or IGES.

NOTE	
Purchased assembly includes box, lid and 4 cover screws. Box and lid are made from Diecast Aluminum Alloy.	

PART NUMBERS	
1590L Enclosure	
Natural Finish Enclosure	1590L
Black Textured Enclosure	1590LBK
ACCESSORIES	
Recommended Torque: 75 ozf.in / 55 cN.m	
Plated Cover Screws (Pkg 100) [M3.5 x 12mm]	1550MS100
Black Cover Screws (Pkg 100) [M3.5 x 12mm]	1550MS100BK



Dimensions:
 mm
 [inches]

**HAMMOND
MANUFACTURING™**

1590L

www.hammondmfg.com