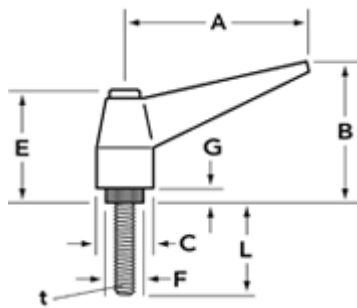




## Clamping Handles



### Description

PART TYPE	Plastic Clamping Handle
HANDLE LENGTH	3.27 inch (83 mm)
STUD OR INSERT	Zinc Plated Alloy Steel Stud
THREAD TYPE	English

### Part Dimensions

Part Number	A in	B in	C in	D in	E in	F in	G in	L in	t Thread
05AR32S-371650	3.27	2.24	1.05	-	1.65	0.74	0.35	0.50	3/8-16