

Ferrule Kit

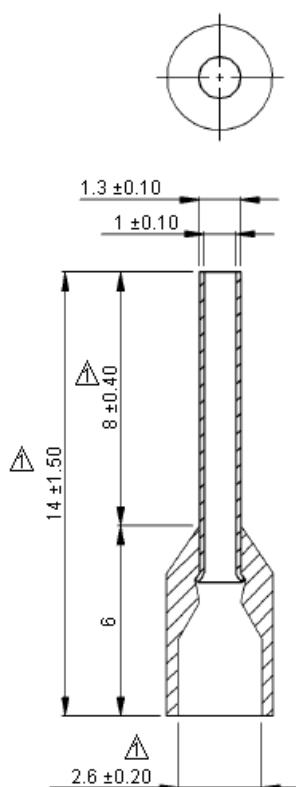
5 Types, 0.5mm to 2.5mm



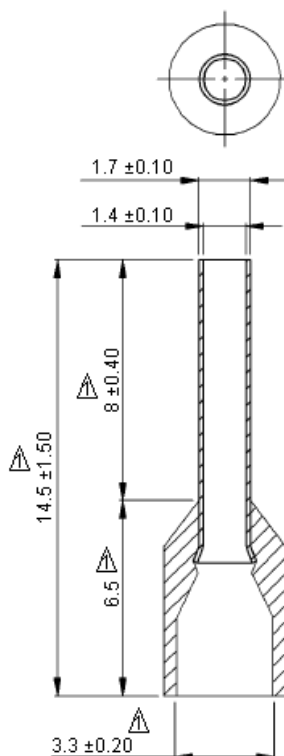
Specifications:

Connector Kit Type	: Terminals & Splices
Kit Contents	: 5 Types of 0.5mm to 2.5mm Colour Coded Insulated Ferrules
Connector Material	: Copper Tube
Connector Surface Treatment	: Tin Plated
Insulation Material	: Nylon
Maximum Electrical Rating	: 105°C 600V

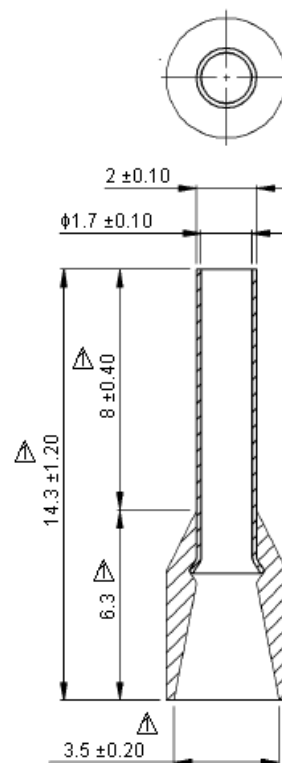
E0508-Orange



E1008-L-Yellow



E1508-Red



Dimensions : Millimetres



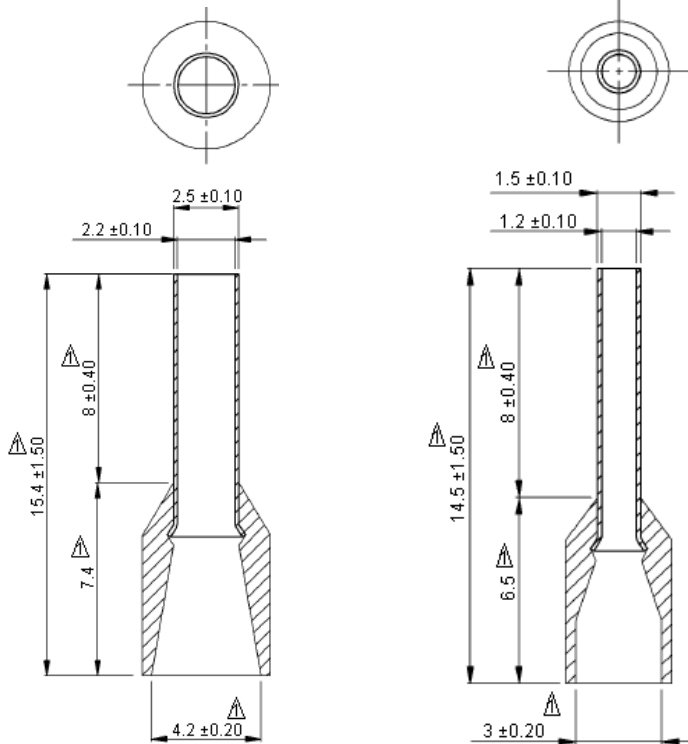
Ferrule Kit

5 Types, 0.5mm to 2.5mm



E2508-Blue

E7508-L-White



Dimensions : Millimetres

Item	Maximum Electric Current		Insulation Colour			Qty	Wire range
	AWG	AMP	French Colour	German Colour	Din Colour		
E0508-Orange	22	9	White	Orange	White	50	22 AWG (0.5 mm ²)
E1008-L-Yellow	18	17	Red	Yellow	Red	100	18 AWG (1 mm ²)
E1508-Red	16	18	Black	18	Black	100	16 AWG (1.5 mm ²)
E2508-Blue	14	30	Grey	Blue	Blue	50	14 AWG (2.5 mm ²)
E7508-L-White	20	12	Blue	White	Grey	100	20 AWG (0.75 mm ²)

Part Number Table

Description	Part Number
Ferrule Kit, 5 Types, 0.5mm to 2.5mm	XRBOX5-E-EA481

Important Notice : This data sheet and its contents (the "Information") belong to the members of the Premier Farnell group of companies (the "Group") or are licensed to it. No licence is granted for the use of it other than for information purposes in connection with the products to which it relates. No licence of any intellectual property rights is granted. The Information is subject to change without notice and replaces all data sheets previously supplied. The Information supplied is believed to be accurate but the Group assumes no responsibility for its accuracy or completeness, any error in or omission from it or for any use made of it. Users of this data sheet should check for themselves the Information and the suitability of the products for their purpose and not make any assumptions based on information included or omitted. Liability for loss or damage resulting from any reliance on the Information or use of it (including liability resulting from negligence or where the Group was aware of the possibility of such loss or damage arising) is excluded. This will not operate to limit or restrict the Group's liability for death or personal injury resulting from its negligence. Multicomp is the registered trademark of the Group. © Premier Farnell plc 2012.

www.element14.com
www.farnell.com
www.newark.com

