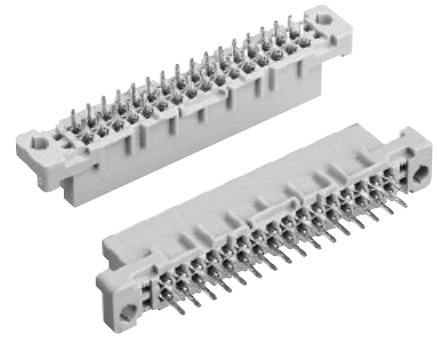


Number of contacts

32

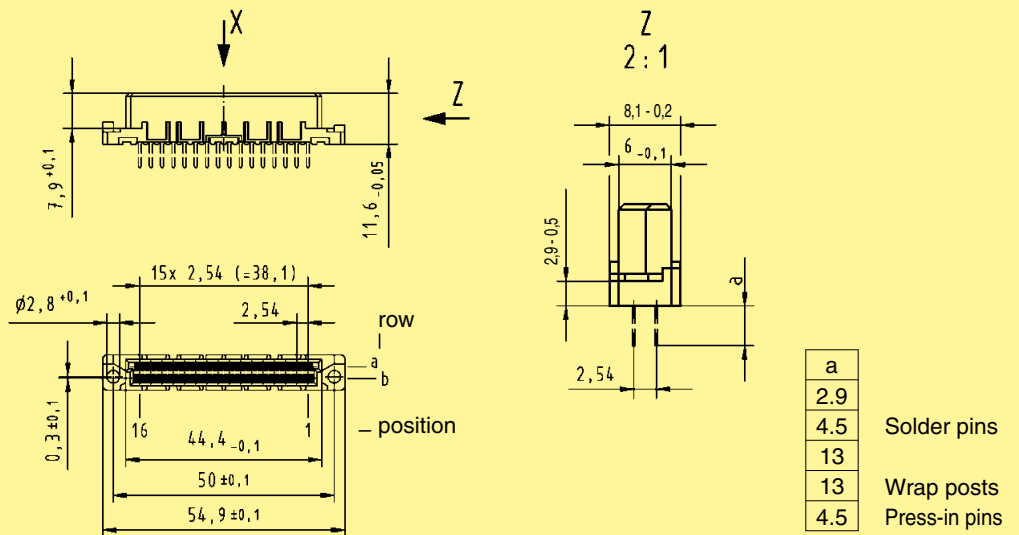


Female connectors

Identification	Number of contacts	Contact arrangement	Part No.	Performance levels according to IEC 60603-2. Explanation chapter 00		
				3	2	1
Female connector with solder pins 2.9 mm 4.5 mm 13 mm SMC	32		Performance level 3 on request	09 22 232 6824	Performance level 1 on request	
	32			09 22 232 6824 222 ^{f)}		
	32			09 22 432 6824 ^{b)}		
	32			09 22 232 6841 ^{d)}		
32		09 22 232 6825				
Female connector with wrap posts ¹⁾ 13 mm	32		09 22 232 6825 222 ^{f)}			
	32		09 22 432 6825 ^{b)}			
Female connector with press-in pins 4.5 mm	32		09 22 232 6829 ^{d)}			
	32		09 22 232 6421			
Female connector with wrap posts ¹⁾ 13 mm	32		09 22 232 6821			
Female connector with press-in pins 4.5 mm	32		09 22 232 6850			

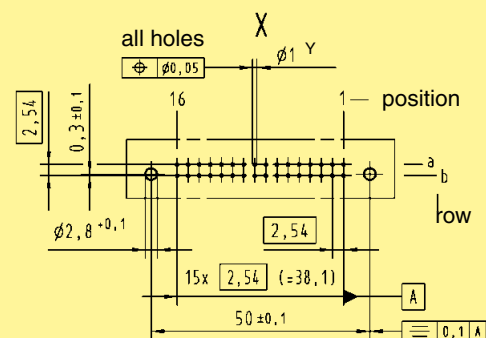
DIN Signal up to 2 A

Dimensions



Board drillings

Mounting side



	Y
Solder	1 ± 0.1
Press-in	see recommendation page 00.25

Cross section of solder terminations

see page 01.13

Dimensions in mm

¹⁾ To be used only for wire wrap termination
^{b)} Connectors with snap-in clips see chapter 00
^{d)} CTI > 400

^{f)} Railway classification NFF 16-101, Smoke index: F1, Flammability class: I2
 Other contact arrangements on request