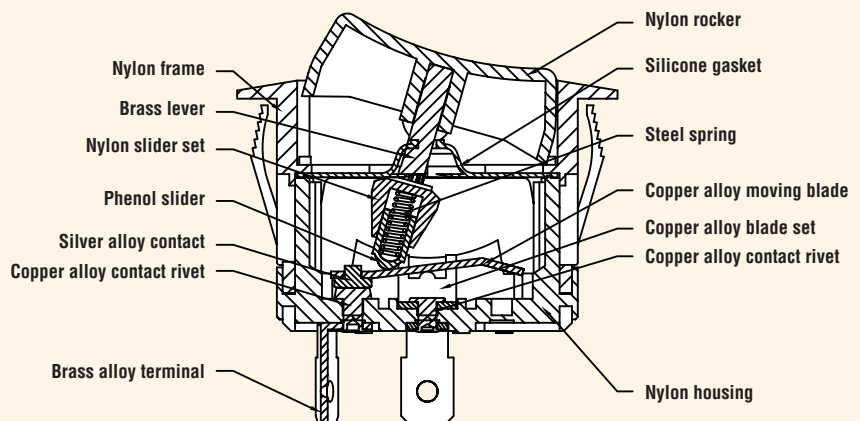


## WATERPROOF 20A ROCKER SWITCH

# KG Series

### Features

- Enclosed switch complying to IP56
- Available in single- or double-pole
- Maintained-action and momentary options
- Snap-in mounting
- Mechanical life: 100,000 cycles
- DC electrical life: 25,000 cycles



### Electrical Ratings

Switch Series	VDC	UL1054 Rating	Electrical Life at Rated Load According to UL (Min. Operations)
KG	21A 14VDC	20A 125VAC; 10A 250VAC	6,000

### Specifications

#### Electrical

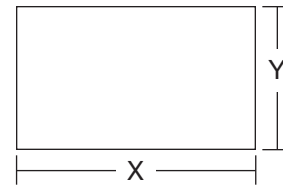
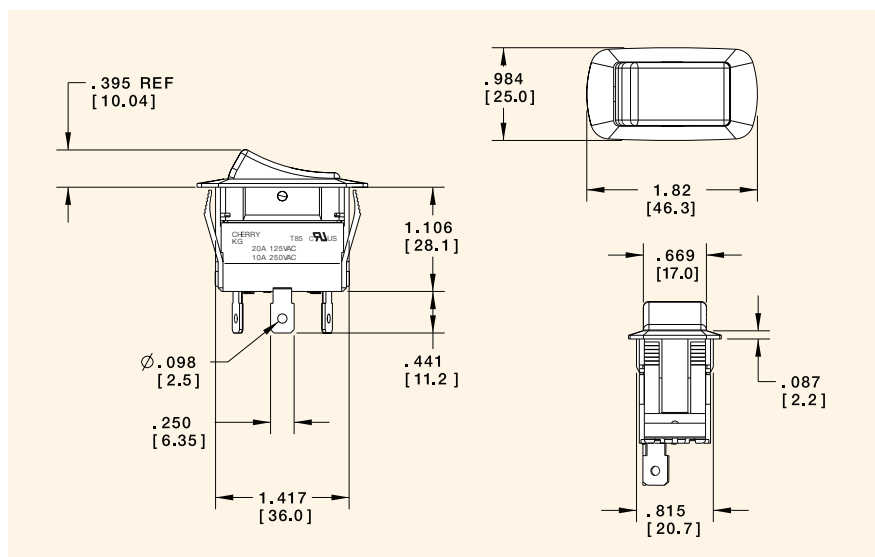
Dielectric Strength:	1500VAC for 1 minute
Insulation Resistance:	10 <sup>8</sup> ohms min at 500VDC
Initial Contact Resistance:	0.050 ohms max
Temperature Rating:	-20°C to +85°C

#### Materials

Actuator:	Nylon 66 with 33% Glass Fiber
Housing:	Nylon 66
Bezel:	Nylon 66 with 33% Glass Fiber
Spring:	Piano Steel Wire
Contacts:	Silver Alloy
Movable Arm:	Silver
Terminals:	Silver-plated Copper Alloy



### Dimensions inches (mm)



Z = Panel Thickness

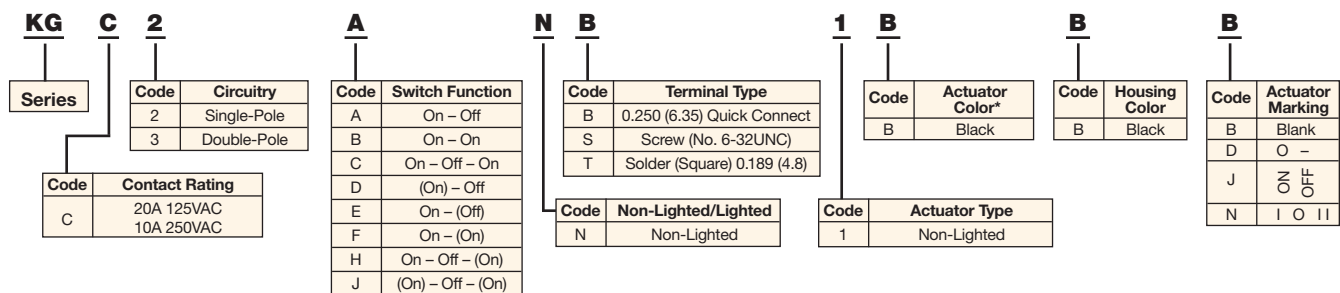
### Recommended Panel Cut-Out Dimensions inches (mm)

Dim. Z	Dim. X	Dim. Y
0.030 to 0.049 (0.75 to 1.25)	1.441 (36.60)	0.835 (21.2)
0.049 to 0.079 (1.25 to 2.00)	1.449 (36.80)	0.835 (21.2)
0.079 to 0.118 (2.00 to 3.00)	1.457 (37.00)	0.835 (21.2)

### Examples of Common Part Numbers and Descriptions inches (mm)

Part Number	Circuitry	Switch Function	Terminal Type	Actuator/Housing Color	Legend Marking
KGC2ANB1BBD		On - Off	0.250 (6.3) Quick Connect	Black/Black	
KGC2BNB1BBB		On - On	0.250 (6.3) Quick Connect	Black/Black	
KGC2CNB1BBN		On - Off - On	0.250 (6.3) Quick Connect	Black/Black	
KGC3ANB1BBD		On - Off	0.250 (6.3) Quick Connect	Black/Black	

### Ordering Information



\*Additional actuator colors available upon request