

PART
NAME

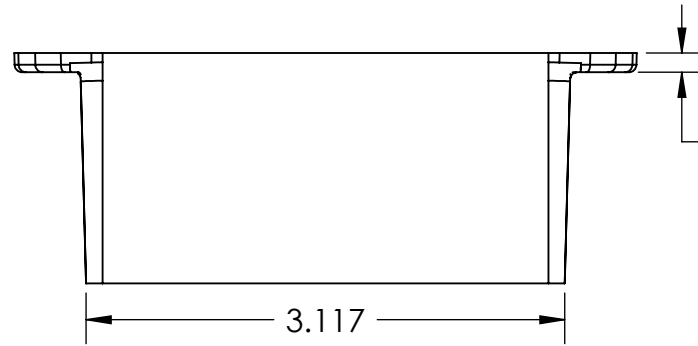
POTTING BOX

PART
No.

PB-1559-BF

REV.
DATE

1-25-11

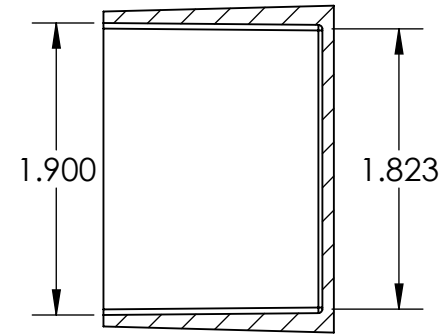
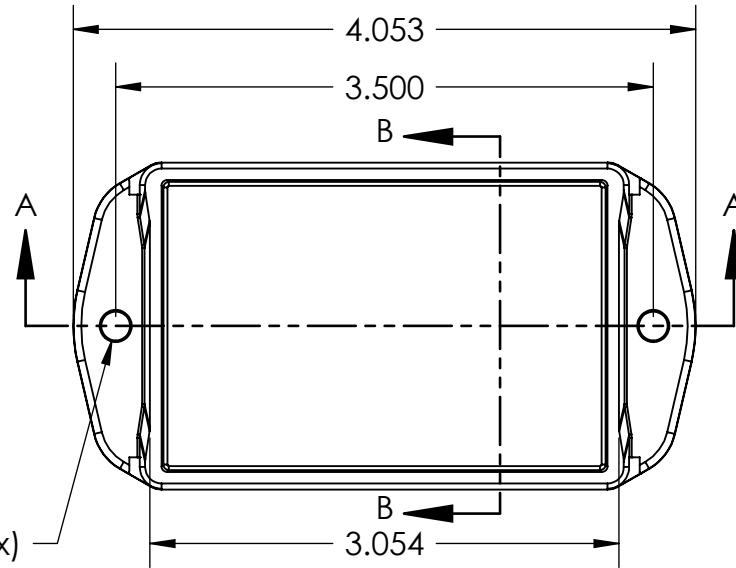
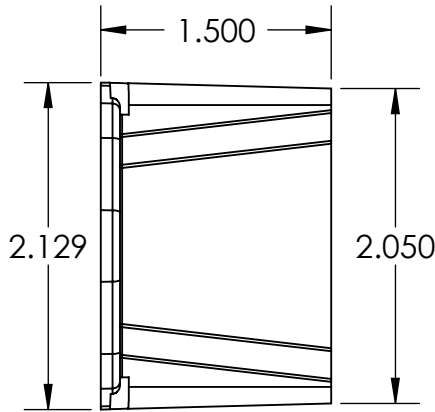


MATERIAL: ABS UL94V-0
 COLOR: BLACK
 FINISHED: TEXTURED OUTSIDE

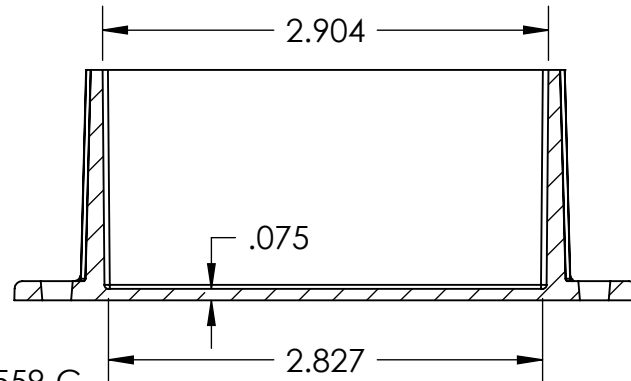
INSIDE DRAFT: $.5^\circ \pm .5^\circ$
 OUTSIDE DRAFT: $1.5^\circ \pm .5^\circ$

ALL DIMENSIONS TOLERANCE: $\pm .015$

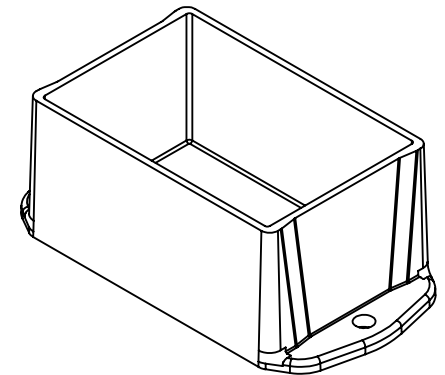
SHIPPED IN PACKAGES OF TEN (10)



SECTION B-B



SECTION A-A



OPTIONAL COVER PART NO.: PBC-1559-C
 (COVER REDUCES INSIDE CLEAR HEIGHT BY .055")