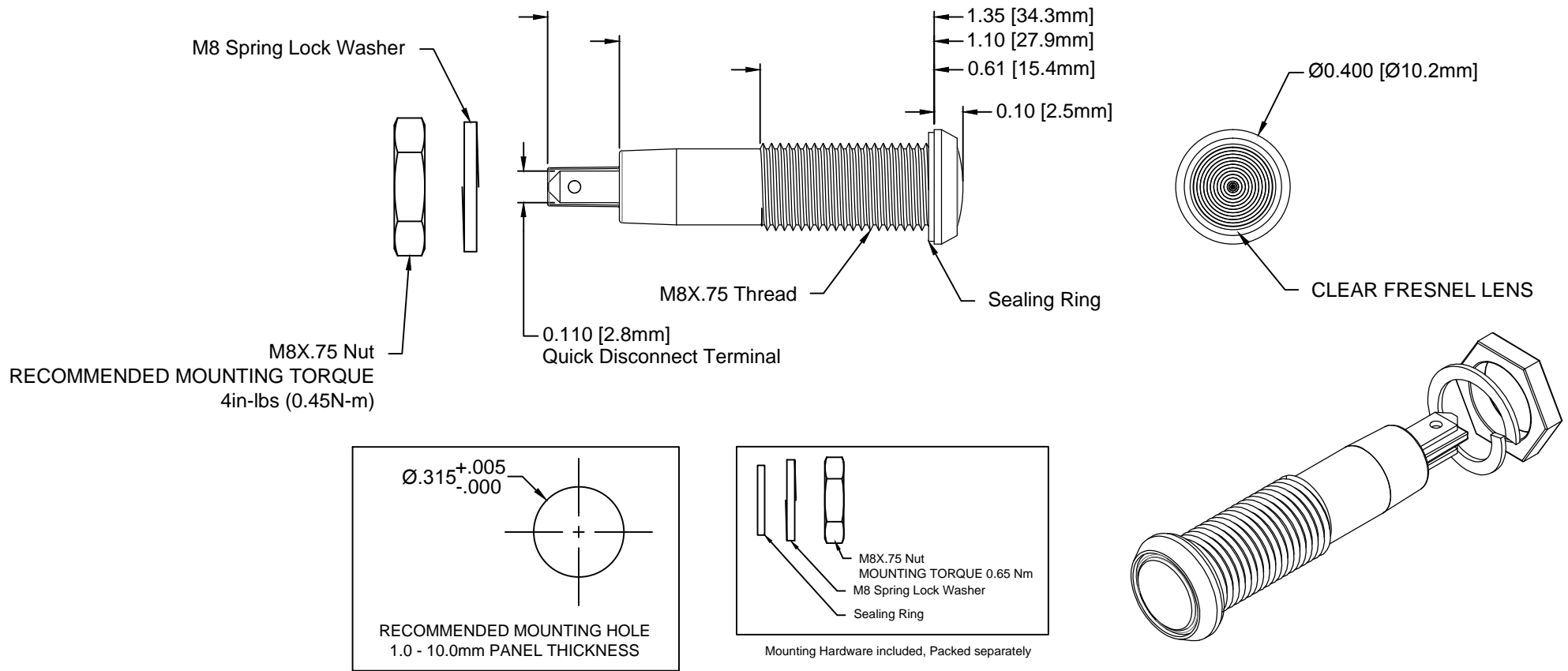



REV.	DESCRIPTION	DATE	APPROVED
F	Engineering Release.	12/18/13	M. C.

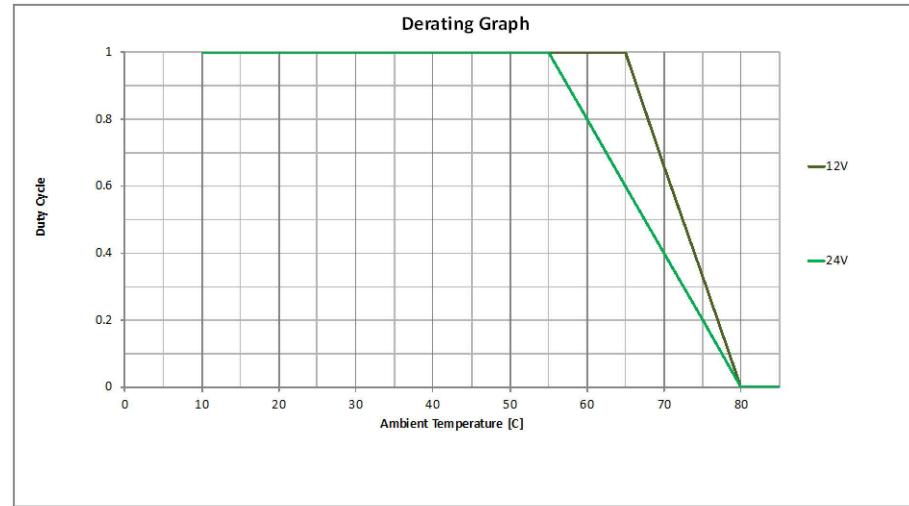
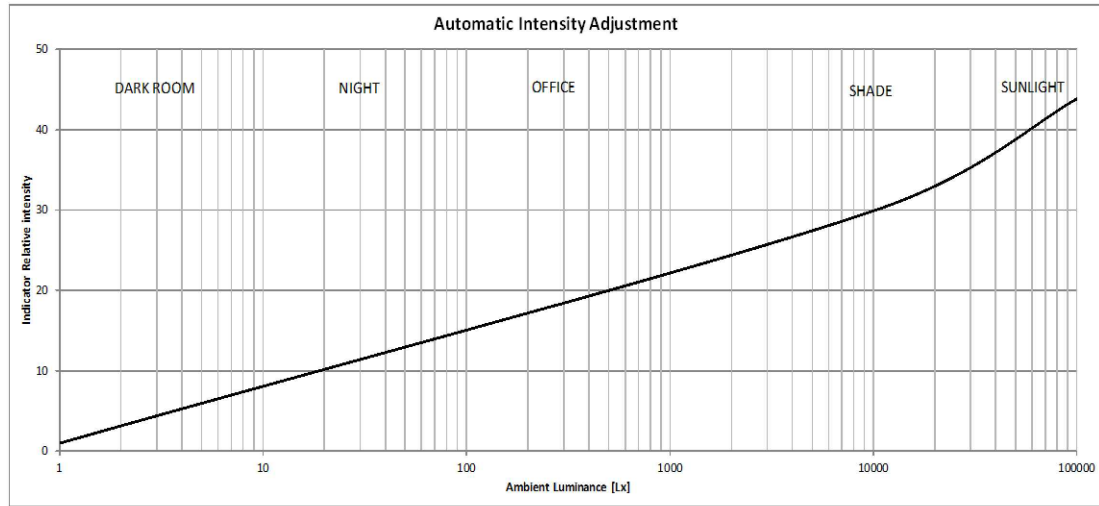


- NOTES:
1. SEALED TO IP67 RATING
 2. WIDE RANGE VOLTAGE INPUT: 12 - 24VAC / DC (Ta = 25C)
 3. BI-POLAR OPERATION
 4. ROHS COMPLIANT
 5. MOUNTING HARDWARE PACKED SEPARATELY NON-ASSEMBLED
 6. INSERT RUBBER SEALING RING ON PANEL MOUNT ASSEMBLY PRIOR TO PANEL INSTALLATION
 7. LIGHT OUTPUT ADJUSTS AUTOMATICALLY UPON AMBIENT LIGHTING CONDITIONS
 8. VISIBLE ON AXIS FROM 0 ~ 150KLx INCIDENT LIGHT (DAYLIGHT, 6500K CCT)

STANDARD TOLERANCE (UNLESS OTHERWISE SPECIFIED)		 BIVAR [®] 4 THOMAS, IRVINE, CA. 92618 TEL: (949) 951-8808 FAX: (949) 951-3974	
DECIMALS	ANGULAR		
.X ± .1	X° ± 1°	TITLE: PM5-M124 SERIES PANEL MOUNT INDICATOR	
.XX ± .02			
.XXX ± .010		PART NO: PM5-M124-XXX REVISION: F	SHEET # 1 OF 2
DESIGNED: Brian Oliver	DATE: 07/25/13	CAGE CODE : 32559	
CHECKED: T. Yin	DATE: 07/25/13	SHEET # 1 OF 2 <small>CAD GENERATED DOCUMENT, DO NOT MEASURE DRAWING.</small>	

REV.	DESCRIPTION	DATE	APPROVED
	SEE SHEET #1		


Part Number	Dominant Wave Length λ_d (nm)	Emitted Color	Lens Appearance	Voltage	TYP. LED Intensity Iv(mcd) @ 0Lx	Viewing Angle
PM5-M124-BLU	465	BLUE	WATER CLEAR	12-24 VAC/VDC	20	100
PM5-M124-GRN	530	GREEN	WATER CLEAR	12-24 VAC/VDC	20	100
PM5-M124-RED	625	RED	WATER CLEAR	12-24 VAC/VDC	20	100
PM5-M124-YLW	590	YELLOW	WATER CLEAR	12-24 VAC/VDC	20	100



MAXIMUM PULSE DURATION _____ 1s
 MINIMUM RECOMMENDED PULSE DURATION _____ 0.02s

ABSOLUTE MAXIMUM RATINGS (Ta = 25°C)

INPUT VOLTAGE _____ 24VAC / VDC
 INPUT CURRENT _____ 20mA
 OPERATING TEMPERATURE RANGE _____ -40°C ~ 80°C
 STORAGE TEMPERATURE _____ -40°C ~ 80°C
 TERMINAL SOLDERING TEMPERATURE _____ 260°C, 5s

STANDARD TOLERANCE (UNLESS OTHERWISE SPECIFIED)		 BIVAR [®] 4 THOMAS, IRVINE, CA. 92618 TEL: (949) 951-8808 FAX: (949) 951-3974
DECIMALS	ANGULAR	
.X ± .1	X° ± 1°	
.XX ± .02		TITLE: PM5-M124 SERIES PANEL MOUNT INDICATOR
.XXX ± .010		
DESIGNED: Brian Oliver	DATE: 07/25/13	PART NO: PM5-M124-XXX REVISION: F
CHECKED: T. Yin	DATE: 07/25/13	CAGE CODE : 32559 SHEET # 2 OF 2 <small>CAD GENERATED DOCUMENT, DO NOT MEASURE DRAWING.</small>