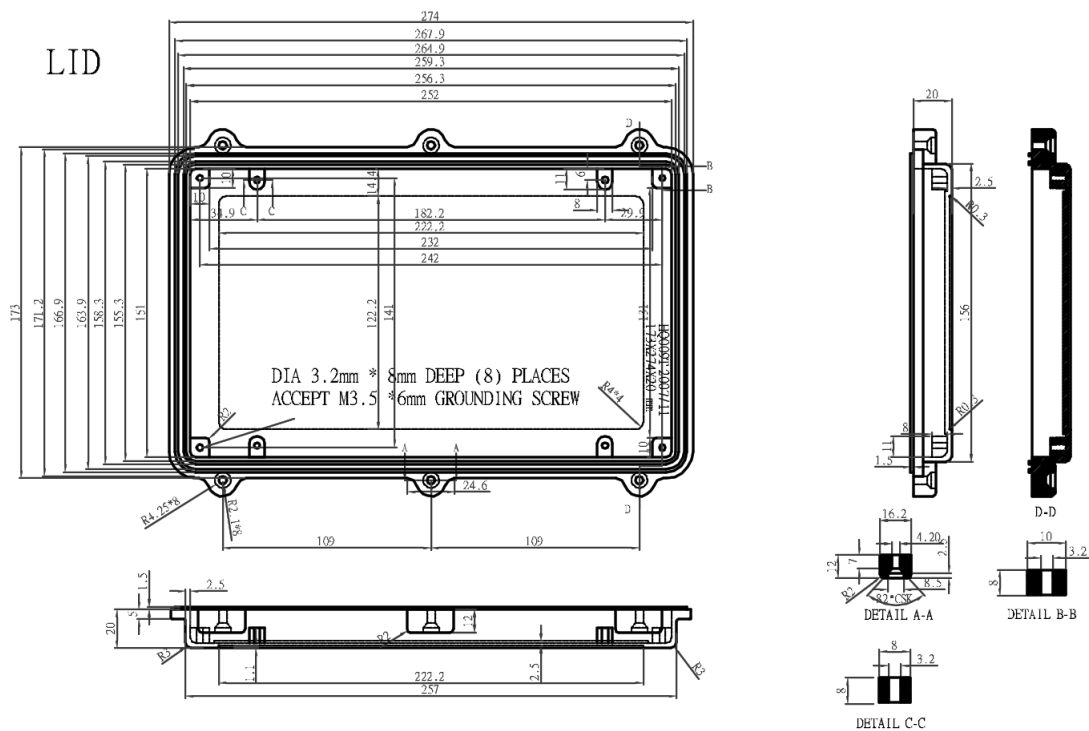




Specifications:

Material : Aluminium Alloy #ADC-12
 Finish : Natural (No Suffix)
 Gray (Suffix-LG)
 Black (Suffix-BK)

- 1) Six (6) M4 × 20mm (0.787") LG Screws
 Supplied for Assembly of Cover to Body
- 2) All Hole diameters have ±0.1mm tolerance
 All other dimensions have ±0.3mm tolerance



Dimensions : Millimetres

