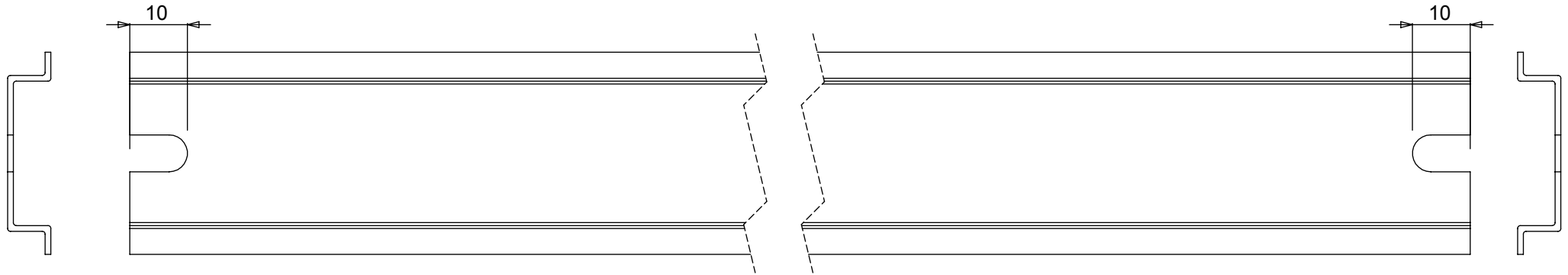
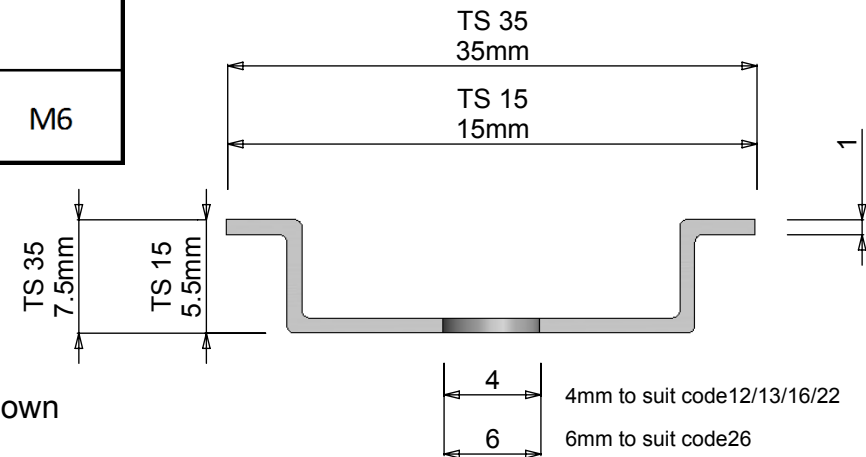


REV.	CNN	CNN DESCRIPTION	Date	Check in
02	-	161609 added to spec	21/10/2013	Shaun Barron
03	-	Text update	18/11/2013	Shaun Barron



HD DIN Rail Specification				
Enclosure part number	TS 35 Order Code	TS 15 Order Code	Din Rail Cut Length	Screws
486-121208	4DR3512	4DR1512	109mm	M4
486-121209				
486-130806	4DR3513	4DR1513	114mm	
486-161609	4DR3516	4DR1516	141mm	
486-221208	4DR3522	4DR1522	204mm	
486-221209				
486-261609	4DR3526	4DR1526	244mm	M6
486-261612				



Material: Galvanised, Steel & Passivated
 TS 35 x 7.5: short-circuit strength corresponds to E-Cu wire @ 16mm²
 TS 15 x 5.5: short-circuit strength corresponds to E-Cu wire @ 10mm²
 All DIN Rail kits will be supplied with 2 x Copper plated fixing screws thread dim shown

Tel No. +44(0)1724 273200 Website www.dem-uk.com



PROPRIETARY AND CONFIDENTIAL
 THE INFORMATION CONTAINED IN THIS DRAWING IS THE SOLE PROPERTY OF ALPHA 3 MANUFACTURING.
 ANY REPRODUCTION IN PART OR AS A WHOLE WITHOUT THE WRITTEN PERMISSION OF ALPHA 3 MANUFACTURING IS PROHIBITED.
DEM DEM Manufacturing, Deltron Emcon House
 Hargreaves Way, Sawcliffe Ind. Park,
 Scunthorpe, North Lincolnshire, DN15 8RF, UK

UNLESS OTHERWISE SPECIFIED:
 DIMENSIONS ARE IN MILLIMETRES.
 TOLERANCE:
NO DECIMAL PLACES ±0.2mm
1 DECIMAL PLACE ±0.1mm
2 DECIMAL PLACES ±0.05mm
ANGULAR TOLERANCE: ±1°

FINISH -
 DEBURR AND BREAK SHARP EDGES
 IF IN DOUBT ASK DO NOT SCALE DRAWING
 MATERIAL -

DRAWN BY SPB
 APPROVED BY WC
 THIRD ANGLE PROJECTION

SHEET 1 OF 1
 SCALE 1:1
 A4

TITLE Heavy duty DIN Rail Range
 DRAWING NO. HD Din Rail
 ISSUE **03**
 Release