

## IVS mounting rail adapter



Powering Business Worldwide™

**Part no.** M22-IVS  
**Article no.** 216400  
**Catalog No.** M22-IVSQ

### Delivery programme

Product range  
 Basic function  
 Accessories  
 Basic function accessories  
 Single unit/Complete unit  
 For use with  
 Connection to SmartWire-DT

RMQ-Titan (drilling dimensions 22.5 mm)  
 Accessories  
 General accessories  
 IVS top-hat rail adapters  
 Single unit  
 top-hat rail according to IEC/EN 60715 for front fixing  
 no

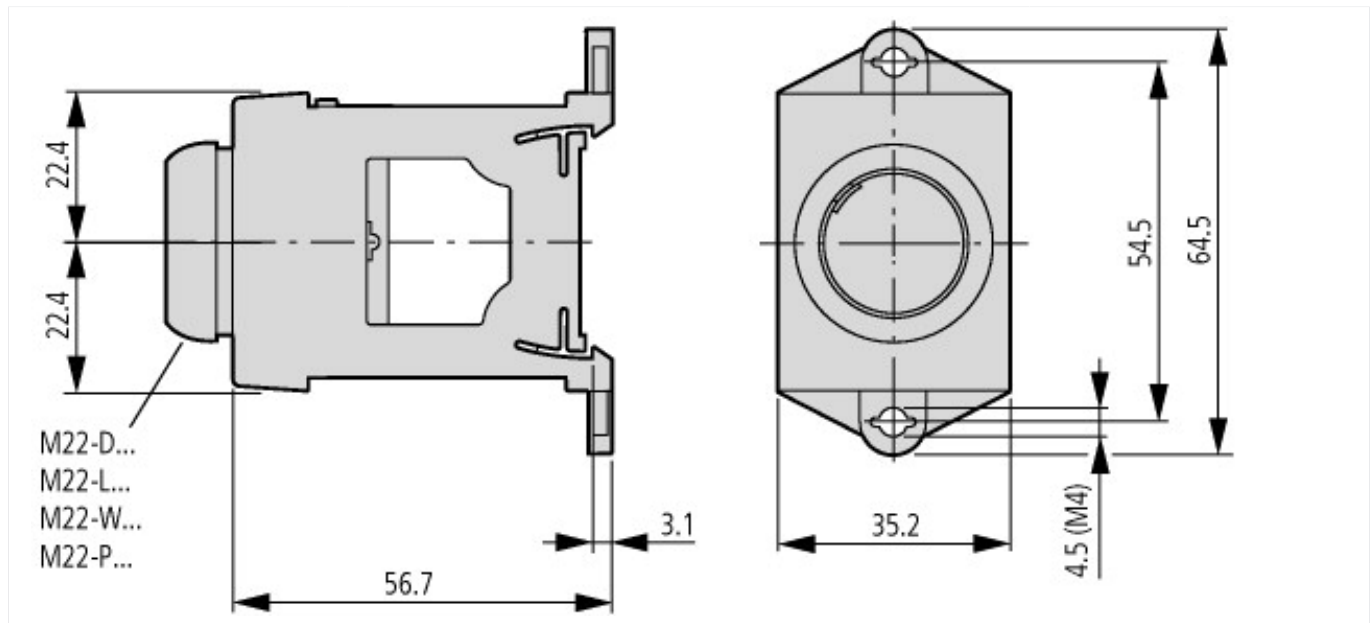
### Approvals

Product Standards	IEC/EN 60947-5; UL 508; CSA-C22.2 No. 14-05; CSA-C22.2 No. 94-91; CE marking
UL File No.	E29184
UL Category Control No.	NKCR
CSA File No.	012528
CSA Class No.	3211-03
North America Certification	UL listed, CSA certified

### Technical data ETIM 5.0

Low-voltage industrial components (EG000017) / Accessories for control circuit devices (EC002024)  
 Electric engineering, automation, process control engineering / Low-voltage switch technology / Low-voltage switch technology (accessories) / Control circuit devices (accessories) (ecl@ss8-27-37-92-16 [AC0043007])  
 Type of electrical accessory -  
 Type of mechanical accessory -

### Dimensions



### Additional product information (links)

IL04716002Z (AWA1160-1745) RMQ-Titan System

IL04716002Z (AWA1160-1745) RMQ-Titan System

[ftp://ftp.moeller.net/DOCUMENTATION/AWA\\_INSTRUCTIONS/IL04716002Z2013\\_08.pdf](ftp://ftp.moeller.net/DOCUMENTATION/AWA_INSTRUCTIONS/IL04716002Z2013_08.pdf)