



Light element, LED, blue, front mount, 12-30VAC/DC, screw connection



Powering Business Worldwide™

Part no. M22-LED-B
Article no. 218057

Catalog No. M22-LED-BQ

Delivery programme

Product range

Basic function

Single unit/Complete unit

Fixing

Connection technique

Rated operational voltage

Rated operational current

Power consumption

U_e

I_e

$P_{max.}$

V

mA

W

RMQ-Titan (drilling dimensions 22.5 mm)

LED elements

Single unit

Front fixing

Screw terminals

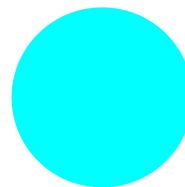
12 - 30 V AC/DC

8 - 15

0.26

at 24 V

Colour



Protection type

Front ring

Connection to SmartWire-DT

Blue

IP20

- N/A -

no

Notes

For pushbutton actuators, indicator lights, illuminated pushbutton actuators and illuminated selector switch actuators, the following applies:

M22...-R only in combination with M22-LED...-R

M22...-G only in combination with M22-LED...-G

M22...-W only in combination with M22-LED...-W

M22...-Y only in combination with M22-LED...-W

M22...-B in combination with M22-LED...-W or M22-LED...-B

Approvals

Product Standards

UL File No.

UL Category Control No.

CSA File No.

CSA Class No.

North America Certification

Degree of Protection

IEC/EN 60947-5; UL 508; CSA-C22.2 No. 14-05; CSA-C22.2 No. 94-91; CE marking

E29184

NKCR

012528

3211-03

UL listed, CSA certified

UL/CSA Type: -

General

Standards

Operating torque (screw terminals)

Protection type

Climatic proofing

Ambient temperature

Open

Storage

Mounting position

Mechanical shock resistance

Terminal capacities

		IEC/EN 60947 VDE 0660
	Nm	≤ 0.8
		IP20
		Damp heat, constant, to IEC 60068-2-78 Damp heat, cyclic, to IEC 60068-2-30
	°C	
	°C	- 25 - + 70
	°C	- 40 - + 80
		As required
	g	30 Shock duration 11 ms Sinusoidal according to IEC 60068-2-27
	mm ²	

Solid	mm ²	0.75 - 2.5
Stranded	mm ²	0.5 - 2.5

Contacts

Rated impulse withstand voltage

U_{imp}	V AC	6000
-----------	---------	------

Rated insulation voltage

U_i	V	500
-------	---	-----

Overvoltage category/pollution degree

		III/3
--	--	-------

Notes

Notes > 200 V AC/60 Hz: -25/+55 °C

Indoor and protected outdoor installation

Technical data ETIM 5.0

Low-voltage industrial components (EG000017) / Lamp holder block for control circuit devices (EC000204)

Electric engineering, automation, process control engineering / Low-voltage switch technology / Command and alarm device / Bulb socket block for command and alarm devices (ecl@ss8-27-37-12-09 [AKF027010])

With integrated transformer

No

With integrated voltage decreasing resistor

No

With integrated lamp

Yes

With integrated diode

Yes

Lamp holder

None

Rated voltage U_e at AC 50 Hz

V

12 - 30

Rated voltage U_e at AC 60 Hz

V

12 - 30

Rated voltage U_e at DC

V

12 - 30

Voltage type for actuating

AC/DC

Type of lamp

LED

Connection type auxiliary circuit

Screw connection

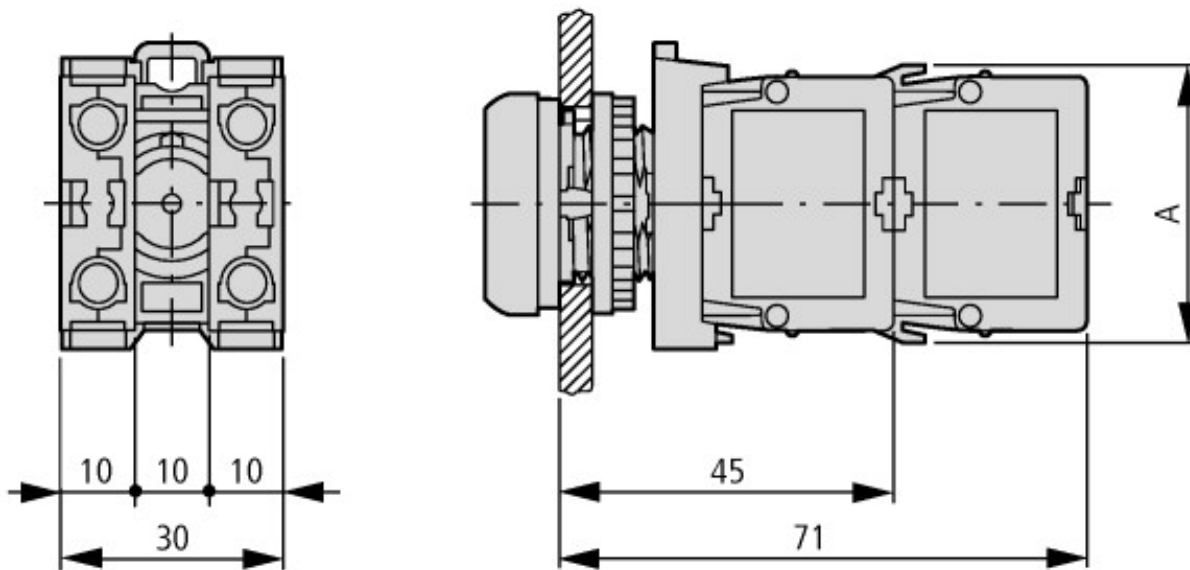
Colour lamp

Blue

Type of fastening

Front fastening

Dimensions



Pushbutton with M22-(C)K...

Pushbutton with M22-(C) LED... + M22-XLED...

Additional product information (links)

IL04716002Z (AWA1160-1745) RMQ-Titan System

IL04716002Z (AWA1160-1745) RMQ-Titan System

ftp://ftp.moeller.net/DOCUMENTATION/AWA_INSTRUCTIONS/IL04716002Z2013_08.pdf