

Solar Isolator Range



Bright solutions

IMO is at the forefront of control component technology specifically developed for the renewable energy market and in particular solar energy. Whether meeting the demands of safe and efficient DC switching or delivering solutions that help to maximise solar energy conversion rates, you can be sure that IMO products have been developed to meet the highest technical and commercial standards.

Enclosed TRUE DC Isolators



Specifically developed for arduous DC disconnect applications, the IMO range of Solar Isolators features an operator independent trigger ratchet switching mechanism resulting in switching times of less than 5ms. High reliability knife edge contacts and long arc cooling chambers ensure safe and effective isolation of DC voltages within solar installations.

Available in 2 to 8 pole versions in a wide variety of mounting and handle configurations, the IMO Solar Isolator range is suitable for most site installation applications.

Solar Connectors

IMO's range of mobile connectors are used to connect PV panels in series. They also link between lengths of cabling and allow connection to Branch and Panel connectors.

Branch connectors are used to link multiple strings together allowing, for example, a 2 pole (single string) DC isolator to switch both strings at the same time removing the need to use 2 isolators.

Panel connectors mount on solar string boxes, enclosed DC isolators and any other enclosed DC switching device allowing easy connection to the rest of the PV system.



Solar Relays & Terminals

IMO's range of Solar Relays have been specifically developed to meet the high contact gap and insulation requirements of modern solar applications. Along with our comprehensive range of PCB and DIN Rail Terminal Blocks, IMO products provide the greatest flexibility to meet the most demanding solar OEM demands.

OEM True DC Isolator

All the features and benefits of the IMO True DC Isolator available in Panel, Din Rail and Base mounting versions for incorporation into solar OEM design.



AC Isolators

IMO's range of enclosed IP65 rated AC isolators includes 3 to 8 pole versions rated from 20A to 80A. The design also includes an interlocked enclosure lid and 3 padlockable positions for safety.



Contents

Lever Actuator Versions



Lever Actuator Switch Panel Mounting



Lever Actuator Switch Single Hole Mounting



Lever Actuator Switch Base Mounting



Lever Actuator Switch for Distribution Boards



Lever Actuator in Plastic Enclosure

8 - 12

Standard Actuator Versions



Rotary Actuator Switch Lockable Off, Panel Mounting



Lever Actuator Switch Lockable Off, Single Hole Mounting



Rotary Actuator Switch Lockable Off, Base Mounting



Lever Actuator Switch Lockable Off for Distribution Board



Rotary Actuator Switch Lockable Off in Plastic Enclosure

13 - 17

Standard Actuator Versions



Emergency Stop Lever Actuator Switch Lockable Off, Panel Mounting



Emergency Stop Rotary Switch Lockable Off, Panel Mounting



Emergency Stop Lever Actuator Switch Lockable Off, Single Hole Mounting



Emergency Stop Lever Rotary Switch Lockable Off, Single Hole Mounting



Emergency Stop Rotary Lever Actuator Switch Lockable Off for Distribution Board



Emergency Stop Rotary Switch Lockable Off in Plastic Enclosure

18 - 23

Technical Data

24 - 25

Dimensions

26 - 28

Enclosed AC Isolator

29

IMO Solar Product Range

30 - 31

Solar Connectors



Mobile connectors are used to connect PV panels in series. They also link lengths of cabling and allow connection to Branch and Panel connectors.

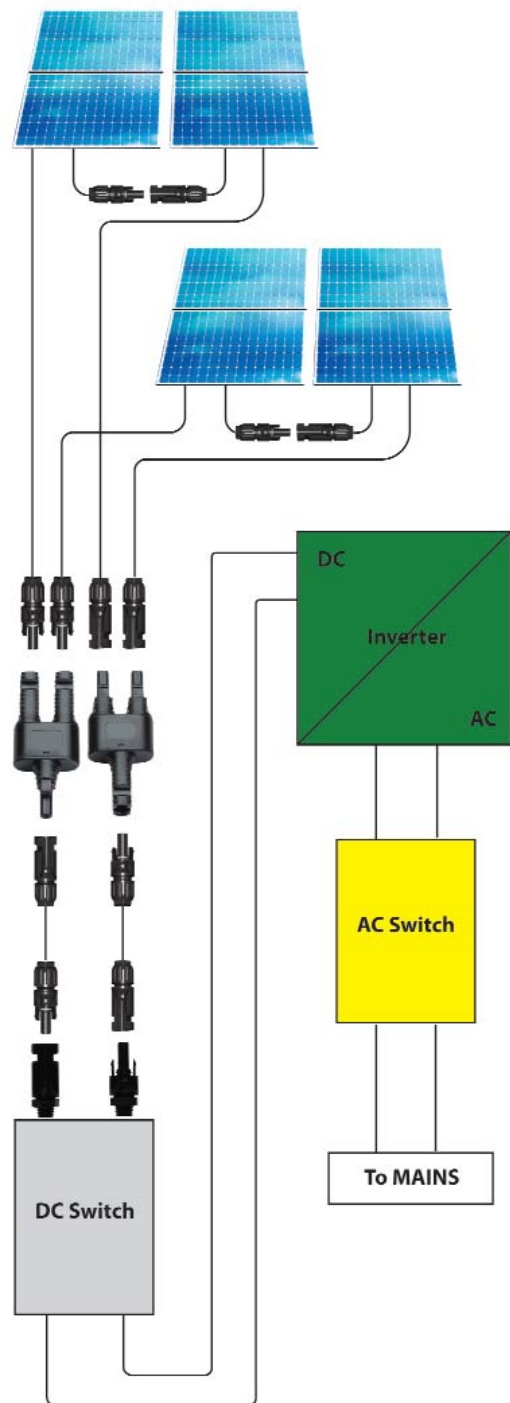
Branch connectors are used to link multiple strings together allowing, for example, a 2 pole (single string) DC isolator to switch both strings at the same time.

Panel connectors mount on solar string boxes, enclosed DC isolators and any other enclosed DC switching device allowing easy connection to the rest of the PV system.

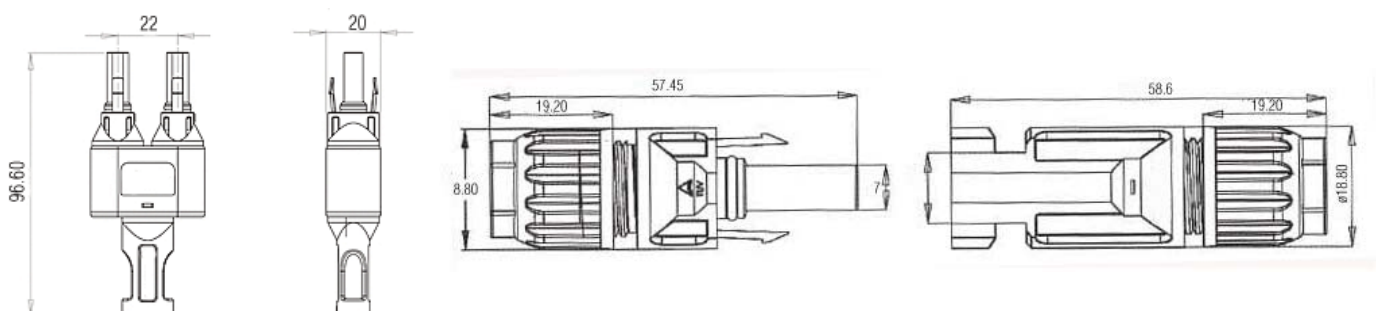
Key Features:

- 1000V DC 30A Rated
- For 4-6mm² Cables
- Secure Easy Clip And Release System
- IP67 Protection
- UL94-5VA Fire Protection
- Class 2 Protection
- Operating Temperature: -40°C ~ +85°C

Part Number	Description	Pack Quantity
SIC-M-4M	Male mobile connector	100
SIC-M-4F	Female mobile connector	100
SIC-P-4M	Male panel connector	100
SIC-P-4F	Female panel connector	100
SIC-B-4PAIR	1xMFF + 1xFMM branch connectors	1 Pair
SIC-I-4M	Male connector metal insert (spare)	100
SIC-I-4F	Female connector metal insert (spare)	100



Dimensions



Think PV.. ..Think Safety!

DC Switching

The IMO SI is a True DC switch not an AC version de-rated or re-wired for DC operation.

Features include:

- Operator independent switching mechanism
- High speed trigger ratchet switching (5ms max)
- IP65 rated enclosure with top and bottom M25/M20/M16/M12 push outs and rear cable entry
- Fully enclosed internal switch without additional wiring for maximum safety
- Knife edge contacts and arc cooling chambers
- High reliability rotary snap action mechanism
- Maximum 1Nm torque for easy operation
- Compact space saving design
- 16mm² box terminals for easy wiring

The IMO SI range has a switching speed that is independent of the operator. The mechanism is such that there is no direct linkage between the operator handle and the switch contacts. As the handle is moved it interacts with a spring mechanism which, upon reaching a set point, causes all the contacts to “SNAP” over thereby ensuring a very fast break/make action which means that the arcs produced by the constant DC load are normally extinguished within 5ms. Many alternative solutions, particularly those based upon AC isolator design, have a switching speed that is directly linked to operator speed. Slow operation of the handle results in slow separation of the contacts and can produce arcing times of 100ms or more.

The SI range also features a “knife edge” mechanism so that when the unit is operated there is a double break on each pole with arcing effect occurring on the corners of the switch only. The main contact is made on an area where no arcing has occurred. The rotary nature of the contact mechanism also means that when the SI is operated a self-cleaning action occurs on the arcing points, thereby producing good contact integrity over the life of the product. A secondary advantage of this type of operation in photovoltaic applications is that, in the event of a supply to earth failure, the short circuit current pulls the contacts together thereby giving an extremely high short circuit current capability in the order of up to 1700A (product dependant).

Completing the package for all your PV instalation requirements is the IMO range of Solar Connectors. Rated up to 1000V 30A for 2.5-6mm² cables, the IMO connectors feature a secure easy clip and release system providing the installer with a time saving and efficient connector solution. As with all IMO PV products the connectors have been tested to the highest standards and come rated with IP67 protection, UL-94-5VA fire resistance and provide class 2 protection.

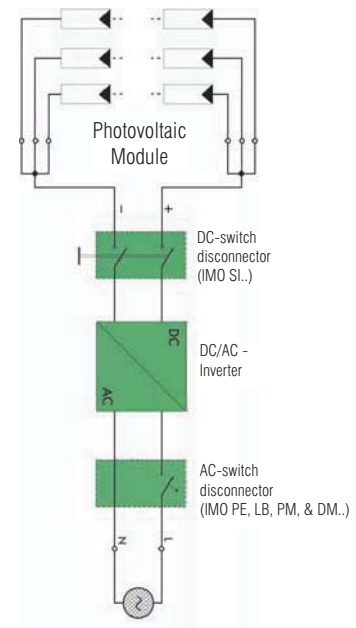


Solar Isolators for Photovoltaic Applications

The IMO SI Solar Isolator range has been specifically developed as a True DC switch to disconnect the DC/AC inverter from the photovoltaic panels as illustrated. All photovoltaic installations have to be equipped with DC isolators in accordance with IEC 60364-7-712.

Key Features:

- Available in 2 to 8 pole versions
- Compact space saving design
- Operator independent trigger ratchet switching mechanism for high speed switching (5ms max)
- Knife edge self cleaning contact mechanism
- Long arc cooling chambers
- Maximum torque 1Nm for easy operation
- Large box terminals with 16mm² cross sectional area for easy wiring
- Available in a wide variety of mounting and handle configurations



G83/1 Compliant
We recommend installers label equipment:
"Danger - Contains live parts during daytime".

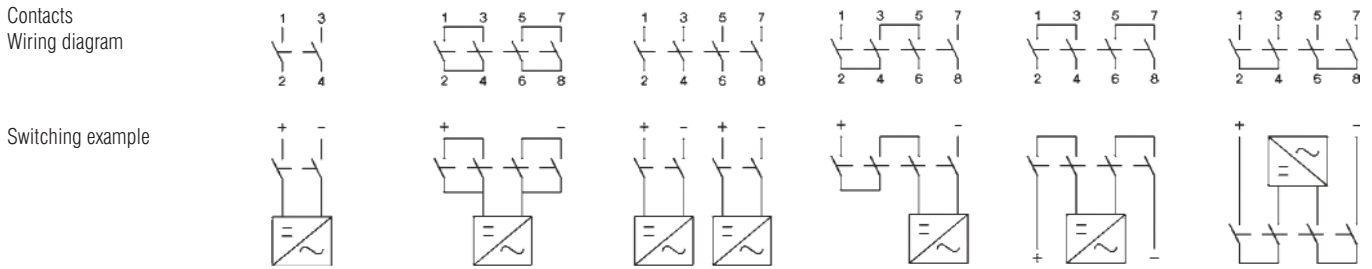
Type	I _{th} Open A	DC21B at U _e 4 Poles in series A	V	Lever Actuator Versions				
				Panel Mounting	Single hole mounting Ø22.5mm	Base mounting w. door coupling	Modular switch	Plastic enclosure
SI16	16	16	1000	..PM64..	..SHM..	..BMDC64..	..DB..	..PEL64..
SI25	25	25	1000	..PM64..	..SHM..	..BMDC64..	..DB..	..PEL64..
SI32	32	32	1000	..PM64..	..SHM..	..BMDC64..	..DB..	..PEL64..

Standard Actuator Versions				
Panel Mounting	Single hole mounting Ø22.5mm	Base mounting with door coupling	Modular switch	Plastic enclosure
..PM64R..	..SHML..	..BMDC64R..	..DBL..	..PEL64R..
..PM64R..	..SHML..	..BMDC64R..	..DBL..	..PEL64R..
..PM64R..	..SHML..	..BMDC64R..	..DBL..	..PEL64R..

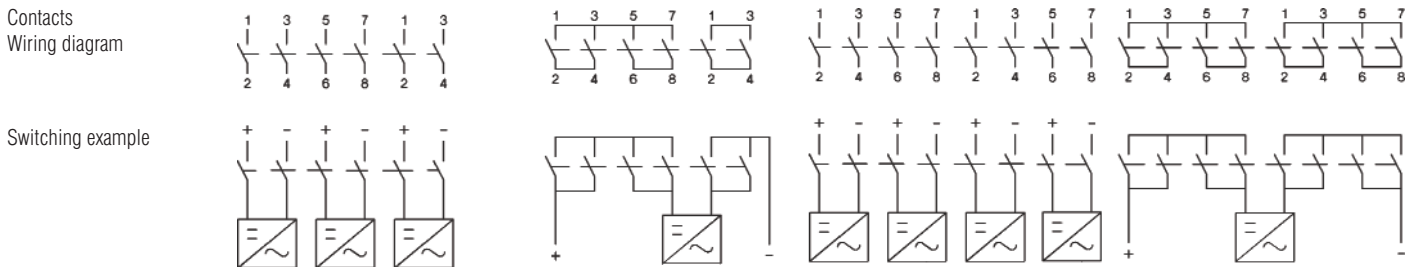
Emergency Stop Versions				
Panel Mounting	Single hole mounting Ø22.5mm	Base mounting with door coupling	Modular switch	Plastic enclosure
..ES-PM64R..	..ES-SHM..	..ES-BMDC..	..ES-DB..	..ES-PEL..
..ES-PM64R..	..ES-SHM..	..ES-BMDC..	..ES-DB..	..ES-PEL..
..ES-PM64R..	..ES-SHM..	..ES-BMDC..	..ES-DB..	..ES-PEL..

Switching Configurations

Type	2-pole	2-pole 4 Paralleled poles	4-pole	2-pole with Input on top Output bottom	2-pole with Input and Output bottom	2-pole with Input and Output on top
SI16	2	2H	4	4S	4T	4B
SI25	2	2H	4	4S	4T	4B
SI32	2	2H	4	4S	4T	4B



Type	6-pole	2-pole 6 paralleled poles	8-pole	2-pole 8 paralleled poles
SI16	...6	...3H	...8	...4H
SI25	...6	...3H	...8	...4H
SI32	...6	...3H	...8	...4H



Insulated Jumper SIV-B1 for series and parallel switching of contacts

Type	Pack	Weight
SIV-B1	1	6.6g/pc



Lever Actuator Switch - Panel Mounting



- Panel Mounting, IP66
- Escutcheon Plate 64mm²
- IP40 Body
- NEMA Type 3R



Data according to IEC 60947-3, VDE 0660

DC21B Rating							Poles in series	Number of Strings	Weight kg/pcs.	Part Number	Contact Configuration
600V	700V	800V	900V	1000V	1200V	1500V					
16A	16A	16A	13A	9A	6A	3A	2	1	0.20	SI16 PM64 2	
25A	23A	20A	16A	11A	8A	4A	2	1	0.20	SI25 PM64 2	
32A	27A	23A	20A	13A	10A	5A	2	1	0.20	SI32 PM64 2	
29A	16A	16A	13A	9A	6A	3A	2	1	0.25	SI16 PM64 2H	
45A	23A	20A	16A	11A	8A	4A	2	1	0.25	SI25 PM64 2H	
50A	27A	23A	20A	13A	10A	5A	2	1	0.25	SI32 PM64 2H	
16A	16A	16A	13A	9A	6A	3A	2	2	0.23	SI16 PM64 4	
25A	23A	20A	16A	11A	8A	4A	2	2	0.23	SI25 PM64 4	
32A	27A	23A	20A	13A	10A	5A	2	2	0.23	SI32 PM64 4	
16A	16A	16A	16A	16A	16A	16A	4	1	0.24	SI16 PM64 4S	
25A	25A	25A	25A	25A	25A	20A	4	1	0.24	SI25 PM64 4S	
32A	32A	32A	32A	32A	32A	23A	4	1	0.24	SI32 PM64 4S	
16A	16A	16A	16A	16A	16A	16A	4	1	0.24	SI16 PM64 4T	
25A	25A	25A	25A	25A	25A	20A	4	1	0.24	SI25 PM64 4T	
32A	32A	32A	32A	32A	32A	23A	4	1	0.24	SI32 PM48 4T	
16A	16A	16A	16A	16A	16A	16A	4	1	0.24	SI16 PM64 4B	
25A	25A	25A	25A	25A	25A	20A	4	1	0.24	SI25 PM64 4B	
32A	32A	32A	32A	32A	32A	23A	4	1	0.24	SI32 PM64 4B	
16A	16A	16A	13A	9A	6A	3A	2	3	0.36	SI16 PM64 6	
25A	23A	20A	16A	11A	8A	4A	2	3	0.36	SI25 PM64 6	
32A	27A	23A	20A	13A	10A	5A	2	3	0.36	SI32 PM64 6	
16A	16A	16A	13A	9A	6A	3A	2	4	0.41	SI16 PM64 8	
25A	23A	20A	16A	11A	8A	4A	2	4	0.41	SI25 PM64 8	
32A	27A	23A	20A	13A	10A	5A	2	4	0.41	SI32 PM64 8	
29A	29A	29A	29A	29A	29A	16A	8	1	0.46	SI16 PM64 4H	
45A	45A	45A	45A	45A	45A	20A	8	1	0.46	SI25 PM64 4H	
58A	58A	58A	58A	58A	50A	23A	8	1	0.46	SI32 PM64 4H	

Lever Actuator Switch - Single Hole Mounting



- Single Hole Mounting Ø22mm, IP66
- Escutcheon Plate 48mm²
- IP40 Body
- NEMA Type 3R



Data according to IEC 60947-3, VDE 0660

DC21B Rating							Poles in series	Number of Strings	Weight kg/pcs.	Part Number	Contact Configuration
600V	700V	800V	900V	1000V	1200V	1500V					
16A	16A	16A	13A	9A	6A	3A	2	1	0.21	SI16 SHM 2	
25A	23A	20A	16A	11A	8A	4A	2	1	0.21	SI25 SHM 2	
32A	27A	23A	20A	13A	10A	5A	2	1	0.21	SI32 SHM 2	
29A	16A	16A	13A	9A	6A	3A	2	1	0.26	SI16 SHM 2H	
45A	23A	20A	16A	11A	8A	4A	2	1	0.26	SI25 SHM 2H	
50A	27A	23A	20A	13A	10A	5A	2	1	0.26	SI32 SHM 2H	
16A	16A	16A	13A	9A	6A	3A	2	2	0.23	SI16 SHM 4	
25A	23A	20A	16A	11A	8A	4A	2	2	0.23	SI25 SHM 4	
32A	27A	23A	20A	13A	10A	5A	2	2	0.23	SI32 SHM 4	
16A	16A	16A	16A	16A	16A	16A	4	1	0.25	SI16 SHM 4S	
25A	25A	25A	25A	25A	25A	20A	4	1	0.25	SI25 SHM 4S	
32A	32A	32A	32A	32A	32A	23A	4	1	0.25	SI32 SHM 4S	
16A	16A	16A	16A	16A	16A	16A	4	1	0.25	SI16 SHM 4T	
25A	25A	25A	25A	25A	25A	20A	4	1	0.25	SI25 SHM 4T	
32A	32A	32A	32A	32A	32A	23A	4	1	0.25	SI32 SHM 4T	
16A	16A	16A	16A	16A	16A	16A	4	1	0.25	SI16 SHM 4B	
25A	25A	25A	25A	25A	25A	20A	4	1	0.25	SI25 SHM 4B	
32A	32A	32A	32A	32A	32A	23A	4	1	0.25	SI32 SHM 4B	
16A	16A	16A	13A	9A	6A	3A	2	3	0.38	SI16 SHM 6	
25A	23A	20A	16A	11A	8A	4A	2	3	0.38	SI25 SHM 6	
32A	27A	23A	20A	13A	10A	5A	2	3	0.38	SI32 SHM 6	
16A	16A	16A	13A	9A	6A	3A	2	4	0.43	SI16 SHM 8	
25A	23A	20A	16A	11A	8A	4A	2	4	0.43	SI25 SHM 8	
32A	27A	23A	20A	13A	10A	5A	2	4	0.43	SI32 SHM 8	
29A	29A	29A	29A	29A	29A	16A	8	1	0.48	SI16 SHM 4H	
45A	45A	45A	45A	45A	45A	20A	8	1	0.48	SI25 SHM 4H	
58A	58A	58A	58A	58A	50A	23A	8	1	0.48	SI32 SHM 4H	

Lever Actuator Switch - Base Mounting, Door Clutch



- Base Mounting, Door Clutch, IP66
- Five point fixing handle mount
- Escutcheon Plate 64mm²
- IP40 Body
- NEMA Type 3R



Data according to IEC 60947-3, VDE 0660

DC21B Rating							Poles in series	Number of Strings	Weight kg/pcs.	Part Number	Contact Configuration
600V	700V	800V	900V	1000V	1200V	1500V					
16A	16A	16A	13A	9A	6A	3A	2	1	0.22	SI16 BMDC64 2	
25A	23A	20A	16A	11A	8A	4A	2	1	0.22	SI25 BMDC64 2	
32A	27A	23A	20A	13A	10A	5A	2	1	0.22	SI32 BMDC64 2	
29A	16A	16A	13A	9A	6A	3A	2	1	0.27	SI16 BMDC64 2H	
45A	23A	20A	16A	11A	8A	4A	2	1	0.27	SI25 BMDC64 2H	
50A	27A	23A	20A	13A	10A	5A	2	1	0.27	SI32 BMDC64 2H	
16A	16A	16A	13A	9A	6A	3A	2	2	0.25	SI16 BMDC64 4	
25A	23A	20A	16A	11A	8A	4A	2	2	0.25	SI25 BMDC64 4	
32A	27A	23A	20A	13A	10A	5A	2	2	0.25	SI32 BMDC64 4	
16A	16A	16A	16A	16A	16A	16A	4	1	0.26	SI16 BMDC64 4S	
25A	25A	25A	25A	25A	25A	20A	4	1	0.26	SI25 BMDC64 4S	
32A	32A	32A	32A	32A	32A	23A	4	1	0.26	SI32 BMDC64 4S	
16A	16A	16A	16A	16A	16A	16A	4	1	0.26	SI16 BMDC64 4T	
25A	25A	25A	25A	25A	25A	20A	4	1	0.26	SI25 BMDC64 4T	
32A	32A	32A	32A	32A	32A	23A	4	1	0.26	SI32 BMDC64 4T	
16A	16A	16A	16A	16A	16A	16A	4	1	0.26	SI16 BMDC64 4B	
25A	25A	25A	25A	25A	25A	20A	4	1	0.26	SI25 BMDC64 4B	
32A	32A	32A	32A	32A	32A	23A	4	1	0.26	SI32 BMDC64 4B	
16A	16A	16A	13A	9A	6A	3A	2	3	0.38	SI16 BMDC64 6	
25A	23A	20A	16A	11A	8A	4A	2	3	0.38	SI25 BMDC64 6	
32A	27A	23A	20A	13A	10A	5A	2	3	0.38	SI32 BMDC64 6	
16A	16A	16A	13A	9A	6A	3A	2	4	0.43	SI16 BMDC64 8	
25A	23A	20A	16A	11A	8A	4A	2	4	0.43	SI25 BMDC64 8	
32A	27A	23A	20A	13A	10A	5A	2	4	0.43	SI32 BMDC64 8	
29A	29A	29A	29A	29A	29A	16A	8	1	0.48	SI16 BMDC64 4H	
45A	45A	45A	45A	45A	45A	20A	8	1	0.48	SI25 BMDC64 4H	
58A	58A	58A	58A	58A	50A	23A	8	1	0.48	SI32 BMDC64 4H	

Lever Actuator Switch for Distribution Board



- For Distribution Boards
- IP40 Body
- NEMA Type 1



Data according to IEC 60947-3, VDE 0660

DC21B Rating							Poles in series	Number of Strings	Weight kg/pcs.	Part Number	Contact Configuration
600V	700V	800V	900V	1000V	1200V	1500V					
16A	16A	16A	13A	9A	6A	3A	2	1	0.19	SI16 DB 2	
25A	23A	20A	16A	11A	8A	4A	2	1	0.19	SI25 DB 2	
32A	27A	23A	20A	13A	10A	5A	2	1	0.19	SI32 DB 2	
29A	16A	16A	13A	9A	6A	3A	2	1	0.24	SI16 DB 2H	
45A	23A	20A	16A	11A	8A	4A	2	1	0.24	SI25 DB 2H	
50A	27A	23A	20A	13A	10A	5A	2	1	0.24	SI32 DB 2H	
16A	16A	16A	13A	9A	6A	3A	2	2	0.22	SI16 DB 4	
25A	23A	20A	16A	11A	8A	4A	2	2	0.22	SI25 DB 4	
32A	27A	23A	20A	13A	10A	5A	2	2	0.22	SI32 DB 4	
16A	16A	16A	16A	16A	16A	16A	4	1	0.23	SI16 DB 4S	
25A	25A	25A	25A	25A	25A	20A	4	1	0.23	SI25 DB 4S	
32A	32A	32A	32A	32A	32A	23A	4	1	0.23	SI32 DB 4S	
16A	16A	16A	16A	16A	16A	16A	4	1	0.23	SI16 DB 4T	
25A	25A	25A	25A	25A	25A	20A	4	1	0.23	SI25 DB 4T	
32A	32A	32A	32A	32A	32A	23A	4	1	0.23	SI32 DB 4T	
16A	16A	16A	16A	16A	16A	16A	4	1	0.23	SI16 DB 4B	
25A	25A	25A	25A	25A	25A	20A	4	1	0.23	SI25 DB 4B	
32A	32A	32A	32A	32A	32A	23A	4	1	0.23	SI32 DB 4B	
16A	16A	16A	13A	9A	6A	3A	2	3	0.35	SI16 DB 6	
25A	23A	20A	16A	11A	8A	4A	2	3	0.35	SI25 DB 6	
32A	27A	23A	20A	13A	10A	5A	2	3	0.35	SI32 DB 6	
16A	16A	16A	13A	9A	6A	3A	2	4	0.40	SI16 DB 8	
25A	23A	20A	16A	11A	8A	4A	2	4	0.40	SI25 DB 8	
32A	27A	23A	20A	13A	10A	5A	2	4	0.40	SI32 DB 8	
29A	29A	29A	29A	29A	29A	16A	8	1	0.43	SI16 DB 4H	
45A	45A	45A	45A	45A	45A	20A	8	1	0.43	SI25 DB 4H	
58A	58A	58A	58A	58A	50A	23A	8	1	0.43	SI32 DB 4H	

Lever Actuator in Plastic Enclosure



- Plastic Enclosure
- Escutcheon Plate 64mm²
- IP65
- NEMA Type 3R



Data according to IEC 60947-3, VDE 0660

DC21B Rating							Poles in series	Number of Strings	Weight kg/pcs.	Part Number	Contact Configuration
600V	700V	800V	900V	1000V	1200V	1500V					
16A	16A	16A	13A	9A	6A	3A	2	1	0.42	SI16 PEL64 2	
25A	23A	20A	16A	11A	8A	4A	2	1	0.42	SI25 PEL64 2	
32A	27A	23A	20A	13A	10A	5A	2	1	0.42	SI32 PEL64 2	
29A	16A	16A	13A	9A	6A	3A	2	1	0.48	SI16 PEL64 2H	
45A	23A	20A	16A	11A	8A	4A	2	1	0.48	SI25 PEL64 2H	
50A	27A	23A	20A	13A	10A	5A	2	1	0.48	SI32 PEL64 2H	
16A	16A	16A	13A	9A	6A	3A	2	2	0.45	SI16 PEL64 4	
25A	23A	20A	16A	11A	8A	4A	2	2	0.45	SI25 PEL64 4	
32A	27A	23A	20A	13A	10A	5A	2	2	0.45	SI32 PEL64 4	
16A	16A	16A	16A	16A	16A	16A	4	1	0.46	SI16 PEL64 4S	
25A	25A	25A	25A	25A	25A	20A	4	1	0.46	SI25 PEL64 4S	
32A	32A	32A	32A	32A	32A	23A	4	1	0.46	SI32 PEL64 4S	
16A	16A	16A	16A	16A	16A	16A	4	1	0.46	SI16 PEL64 4T	
25A	25A	25A	25A	25A	25A	20A	4	1	0.46	SI25 PEL64 4T	
32A	32A	32A	32A	32A	32A	23A	4	1	0.46	SI32 PEL64 4T	
16A	16A	16A	16A	16A	16A	16A	4	1	0.46	SI16 PEL64 4B	
25A	25A	25A	25A	25A	25A	20A	4	1	0.46	SI25 PEL64 4B	
32A	32A	32A	32A	32A	32A	23A	4	1	0.46	SI32 PEL64 4B	
16A	16A	16A	13A	9A	6A	3A	2	3	1.56	SI16 PEL64 6	
25A	23A	20A	16A	11A	8A	4A	2	3	1.56	SI25 PEL64 6	
32A	27A	23A	20A	13A	10A	5A	2	3	1.56	SI32 PEL64 6	
16A	16A	16A	13A	9A	6A	3A	2	4	1.61	SI16 PEL64 8	
25A	23A	20A	16A	11A	8A	4A	2	4	1.61	SI25 PEL64 8	
32A	27A	23A	20A	13A	10A	5A	2	4	1.61	SI32 PEL64 8	
29A	29A	29A	29A	29A	29A	16A	8	1	1.66	SI16 PEL64 4H	
45A	45A	45A	45A	45A	45A	20A	8	1	1.66	SI25 PEL64 4H	
58A	58A	58A	58A	58A	50A	23A	8	1	1.66	SI32 PEL64 4H	

Rotary Actuator Switch - Lockable Off



- Rotary Actuator Switch
- Lockable Off
- Panel Mounting, IP66
- Rotary Handle 64mm²
- IP40 Body
- NEMA Type 3R



Data according to IEC 60947-3, VDE 0660

DC21B Rating							Poles in series	Number of Strings	Weight kg/pcs.	Part Number	Contact Configuration
600V	700V	800V	900V	1000V	1200V	1500V					
16A	16A	16A	13A	9A	6A	3A	2	1	0.21	SI16 PM64R 2	
25A	23A	20A	16A	11A	8A	4A	2	1	0.21	SI25 PM64R 2	
32A	27A	23A	20A	13A	10A	5A	2	1	0.21	SI32 PM64R 2	
29A	16A	16A	13A	9A	6A	3A	2	1	0.26	SI16 PM64R 2H	
45A	23A	20A	16A	11A	8A	4A	2	1	0.26	SI25 PM64R 2H	
50A	27A	23A	20A	13A	10A	5A	2	1	0.26	SI32 PM64R 2H	
16A	16A	16A	13A	9A	6A	3A	2	2	0.24	SI16 PM64R 4	
25A	23A	20A	16A	11A	8A	4A	2	2	0.24	SI25 PM64R 4	
32A	27A	23A	20A	13A	10A	5A	2	2	0.24	SI32 PM64R 4	
16A	16A	16A	16A	16A	16A	16A	4	1	0.25	SI16 PM64R 4S	
25A	25A	25A	25A	25A	25A	20A	4	1	0.25	SI25 PM64R 4S	
32A	32A	32A	32A	32A	32A	23A	4	1	0.25	SI32 PM64R 4S	
16A	16A	16A	16A	16A	16A	16A	4	1	0.25	SI16 PM64R 4T	
25A	25A	25A	25A	25A	25A	20A	4	1	0.25	SI25 PM64R 4T	
32A	32A	32A	32A	32A	32A	23A	4	1	0.25	SI32 PM64R 4T	
16A	16A	16A	16A	16A	16A	16A	4	1	0.25	SI16 PM64R 4B	
25A	25A	25A	25A	25A	25A	20A	4	1	0.25	SI25 PM64R 4B	
32A	32A	32A	32A	32A	32A	23A	4	1	0.25	SI32 PM64R 4B	
16A	16A	16A	13A	9A	6A	3A	2	3	0.37	SI16 PM64R 6	
25A	23A	20A	16A	11A	8A	4A	2	3	0.37	SI25 PM64R 6	
32A	27A	23A	20A	13A	10A	5A	2	3	0.37	SI32 PM64R 6	
16A	16A	16A	13A	9A	6A	3A	2	4	0.42	SI16 PM64R 8	
25A	23A	20A	16A	11A	8A	4A	2	4	0.42	SI25 PM64R 8	
32A	27A	23A	20A	13A	10A	5A	2	4	0.42	SI32 PM64R 8	
29A	29A	29A	29A	29A	29A	16A	8	1	0.47	SI16 PM64R 4H	
45A	45A	45A	45A	45A	45A	20A	8	1	0.47	SI25 PM64R 4H	
58A	58A	58A	58A	58A	50A	23A	8	1	0.47	SI32 PM64R 4H	

Extended Switch Shaft for all switches for panel mounting: Type Suffix

x = panel thickness + "x"

Lever Actuator Switch - Lockable Off



- Lever Actuator Switch
- Lockable Off
- Single Hole Mounting Ø22mm, IP66
- Escutcheon plate 48mm²
- IP40 Body
- NEMA Type 3R



Data according to IEC 60947-3, VDE 0660

DC21B Rating							Poles in series	Number of Strings	Weight kg/pcs.	Part Number	Contact Configuration
600V	700V	800V	900V	1000V	1200V	1500V					
16A	16A	16A	13A	9A	6A	3A	2	1	0.21	SI16 SHML 2	
25A	23A	20A	16A	11A	8A	4A	2	1	0.21	SI25 SHML 2	
32A	27A	23A	20A	13A	10A	5A	2	1	0.21	SI32 SHML 2	
29A	16A	16A	13A	9A	6A	3A	2	1	0.27	SI16 SHML 2H	
45A	23A	20A	16A	11A	8A	4A	2	1	0.27	SI25 SHML 2H	
50A	27A	23A	20A	13A	10A	5A	2	1	0.27	SI32 SHML 2H	
16A	16A	16A	13A	9A	6A	3A	2	2	0.24	SI16 SHML 4	
25A	23A	20A	16A	11A	8A	4A	2	2	0.24	SI25 SHML 4	
32A	27A	23A	20A	13A	10A	5A	2	2	0.24	SI32 SHML 4	
16A	16A	16A	16A	16A	16A	16A	4	1	0.25	SI16 SHML 4S	
25A	25A	25A	25A	25A	25A	20A	4	1	0.25	SI25 SHML 4S	
32A	32A	32A	32A	32A	32A	23A	4	1	0.25	SI32 SHML 4S	
16A	16A	16A	16A	16A	16A	16A	4	1	0.25	SI16 SHML 4T	
25A	25A	25A	25A	25A	25A	20A	4	1	0.25	SI25 SHML 4T	
32A	32A	32A	32A	32A	32A	23A	4	1	0.25	SI32 SHML 4T	
16A	16A	16A	16A	16A	16A	16A	4	1	0.25	SI16 SHML 4B	
25A	25A	25A	25A	25A	25A	20A	4	1	0.25	SI25 SHML 4B	
32A	32A	32A	32A	32A	32A	23A	4	1	0.25	SI32 SHML 4B	
16A	16A	16A	13A	9A	6A	3A	2	3	0.39	SI16 SHML 6	
25A	23A	20A	16A	11A	8A	4A	2	3	0.39	SI25 SHML 6	
32A	27A	23A	20A	13A	10A	5A	2	3	0.39	SI32 SHML 6	
16A	16A	16A	13A	9A	6A	3A	2	4	0.44	SI16 SHML 8	
25A	23A	20A	16A	11A	8A	4A	2	4	0.44	SI25 SHML 8	
32A	27A	23A	20A	13A	10A	5A	2	4	0.44	SI32 SHML 8	
29A	29A	29A	29A	29A	29A	16A	8	1	0.49	SI16 SHML 4H	
45A	45A	45A	45A	45A	45A	20A	8	1	0.49	SI25 SHML 4H	
58A	58A	58A	58A	58A	50A	23A	8	1	0.49	SI32 SHML 4H	

Rotary Actuator Switch - Lockable Off



- Rotary Actuator Switch
- Lockable Off
- Base Mounting, Door Clutch, IP66
- Five Point Fixing, Handle Mount
- IP40 Body
- Rotary Handle 64mm²
- NEMA Type 3R



Shaft length is adjustable

Data according to IEC 60947-3, VDE 0660

DC21B Rating							Poles in series	Number of Strings	Weight kg/pcs.	Part Number	Contact Configuration
600V	700V	800V	900V	1000V	1200V	1500V					
16A	16A	16A	13A	9A	6A	3A	2	1	0.23	SI16 BMDC64R 2	
25A	23A	20A	16A	11A	8A	4A	2	1	0.23	SI25 BMDC64R 2	
32A	27A	23A	20A	13A	10A	5A	2	1	0.23	SI32 BMDC64R 2	
29A	16A	16A	13A	9A	6A	3A	2	1	0.28	SI16 BMDC64R 2H	
45A	23A	20A	16A	11A	8A	4A	2	1	0.28	SI25 BMDC64R 2H	
50A	27A	23A	20A	13A	10A	5A	2	1	0.28	SI32 BMDC64R 2H	
16A	16A	16A	13A	9A	6A	3A	2	2	0.26	SI16 BMDC64R 4	
25A	23A	20A	16A	11A	8A	4A	2	2	0.26	SI25 BMDC64R 4	
32A	27A	23A	20A	13A	10A	5A	2	2	0.26	SI32 BMDC64R 4	
16A	16A	16A	16A	16A	16A	16A	4	1	0.27	SI16 BMDC64R 4S	
25A	25A	25A	25A	25A	25A	20A	4	1	0.27	SI25 BMDC64R 4S	
32A	32A	32A	32A	32A	32A	23A	4	1	0.27	SI32 BMDC64R 4S	
16A	16A	16A	16A	16A	16A	16A	4	1	0.27	SI16 BMDC64R 4T	
25A	25A	25A	25A	25A	25A	20A	4	1	0.27	SI25 BMDC64R 4T	
32A	32A	32A	32A	32A	32A	23A	4	1	0.27	SI32 BMDC64R 4T	
16A	16A	16A	16A	16A	16A	16A	4	1	0.27	SI16 BMDC64R 4B	
25A	25A	25A	25A	25A	25A	20A	4	1	0.27	SI25 BMDC64R 4B	
32A	32A	32A	32A	32A	32A	23A	4	1	0.27	SI32 BMDC64R 4B	
16A	16A	16A	13A	9A	6A	3A	2	3	0.39	SI16 BMDC64R 6	
25A	23A	20A	16A	11A	8A	4A	2	3	0.39	SI25 BMDC64R 6	
32A	27A	23A	20A	13A	10A	5A	2	3	0.39	SI32 BMDC64R 6	
16A	16A	16A	13A	9A	6A	3A	2	4	0.44	SI16 BMDC64R 8	
25A	23A	20A	16A	11A	8A	4A	2	4	0.44	SI25 BMDC64R 8	
32A	27A	23A	20A	13A	10A	5A	2	4	0.44	SI32 BMDC64R 8	
29A	29A	29A	29A	29A	29A	16A	8	1	0.49	SI16 BMDC64R 4H	
45A	45A	45A	45A	45A	45A	20A	8	1	0.49	SI25 BMDC64R 4H	
58A	58A	58A	58A	58A	50A	23A	8	1	0.49	SI32 BMDC64R 4H	

Special extended shafts available upon request, please contact IMO for more information.

Lever Actuator Switch - Lockable Off for Distribution Boards



- Lever Actuator Switch
- Lockable Off
- For Distribution Boards
- IP40 Body
- NEMA Type 1



Data according to IEC 60947-3, VDE 0660

		DC21B Rating					Poles in series	Number of Strings	Weight kg/pcs.	Part Number	Contact Configuration
600V	700V	800V	900V	1000V	1200V	1500V					
16A	16A	16A	13A	9A	6A	3A	2	1	0.19	SI16 DBL 2	
25A	23A	20A	16A	11A	8A	4A	2	1	0.19	SI25 DBL 2	
32A	27A	23A	20A	13A	10A	5A	2	1	0.19	SI32 DBL 2	
29A	16A	16A	13A	9A	6A	3A	2	1	0.25	SI16 DBL 2H	
45A	23A	20A	16A	11A	8A	4A	2	1	0.25	SI25 DBL 2H	
50A	27A	23A	20A	13A	10A	5A	2	1	0.25	SI32 DBL 2H	
16A	16A	16A	13A	9A	6A	3A	2	2	0.22	SI16 DBL 4	
25A	23A	20A	16A	11A	8A	4A	2	2	0.22	SI25 DBL 4	
32A	27A	23A	20A	13A	10A	5A	2	2	0.22	SI32 DBL 4	
16A	16A	16A	16A	16A	16A	16A	4	1	0.23	SI16 DBL 4S	
25A	25A	25A	25A	25A	25A	20A	4	1	0.23	SI25 DBL 4S	
32A	32A	32A	32A	32A	32A	23A	4	1	0.23	SI32 DBL 4S	
16A	16A	16A	16A	16A	16A	16A	4	1	0.23	SI16 DBL 4T	
25A	25A	25A	25A	25A	25A	20A	4	1	0.23	SI25 DBL 4T	
32A	32A	32A	32A	32A	32A	23A	4	1	0.23	SI32 DBL 4T	
16A	16A	16A	16A	16A	16A	16A	4	1	0.23	SI16 DBL 4B	
25A	25A	25A	25A	25A	25A	20A	4	1	0.23	SI25 DBL 4B	
32A	32A	32A	32A	32A	32A	23A	4	1	0.23	SI32 DBL 4B	
16A	16A	16A	13A	9A	6A	3A	2	3	0.36	SI16 DBL 6	
25A	23A	20A	16A	11A	8A	4A	2	3	0.36	SI25 DBL 6	
32A	27A	23A	20A	13A	10A	5A	2	3	0.36	SI32 DBL 6	
16A	16A	16A	13A	9A	6A	3A	2	4	0.41	SI16 DBL 8	
25A	23A	20A	16A	11A	8A	4A	2	4	0.41	SI25 DBL 8	
32A	27A	23A	20A	13A	10A	5A	2	4	0.41	SI32 DBL 8	
29A	29A	29A	29A	29A	29A	16A	8	1	0.46	SI16 DBL 4H	
45A	45A	45A	45A	45A	45A	20A	8	1	0.46	SI25 DBL 4H	
58A	58A	58A	58A	58A	50A	23A	8	1	0.46	SI32 DBL 4H	

Rotary Actuator Switch - Lockable Off in Plastic Enclosure



- Rotary Actuator Switch
- Lockable Off
- Plastic Enclosure
- IP65
- NEMA Type 3R



Data according to IEC 60947-3, VDE 0660

DC21B Rating							Poles in series	Number of Strings	Weight kg/pcs.	Part Number	Contact Configuration
600V	700V	800V	900V	1000V	1200V	1500V					
16A	16A	16A	13A	9A	6A	3A	2	1	0.43	SI16 PEL64R 2	
25A	23A	20A	16A	11A	8A	4A	2	1	0.43	SI25 PEL64R 2	
32A	27A	23A	20A	13A	10A	5A	2	1	0.43	SI32 PEL64R 2	
29A	16A	16A	13A	9A	6A	3A	2	1	0.49	SI16 PEL64R 2H	
45A	23A	20A	16A	11A	8A	4A	2	1	0.49	SI25 PEL64R 2H	
50A	27A	23A	20A	13A	10A	5A	2	1	0.49	SI32 PEL64R 2H	
16A	16A	16A	13A	9A	6A	3A	2	2	0.46	SI16 PEL64R 4	
25A	23A	20A	16A	11A	8A	4A	2	2	0.46	SI25 PEL64R 4	
32A	27A	23A	20A	13A	10A	5A	2	2	0.46	SI32 PEL64R 4	
16A	16A	16A	16A	16A	16A	16A	4	1	0.47	SI16 PEL64R 4S	
25A	25A	25A	25A	25A	25A	20A	4	1	0.47	SI25 PEL64R 4S	
32A	32A	32A	32A	32A	32A	23A	4	1	0.47	SI32 PEL64R 4S	
16A	16A	16A	16A	16A	16A	16A	4	1	0.47	SI16 PEL64R 4T	
25A	25A	25A	25A	25A	25A	20A	4	1	0.47	SI25 PEL64R 4T	
32A	32A	32A	32A	32A	32A	23A	4	1	0.47	SI32 PEL64R 4T	
16A	16A	16A	16A	16A	16A	16A	4	1	0.47	SI16 PEL64R 4B	
25A	25A	25A	25A	25A	25A	20A	4	1	0.47	SI25 PEL64R 4B	
32A	32A	32A	32A	32A	32A	23A	4	1	0.47	SI32 PEL64R 4B	
16A	16A	16A	13A	9A	6A	3A	2	3	1.57	SI16 PEL64R 6	
25A	23A	20A	16A	11A	8A	4A	2	3	1.57	SI25 PEL64R 6	
32A	27A	23A	20A	13A	10A	5A	2	3	1.57	SI32 PEL64R 6	
16A	16A	16A	13A	9A	6A	3A	2	4	1.62	SI16 PEL64R 8	
25A	23A	20A	16A	11A	8A	4A	2	4	1.62	SI25 PEL64R 8	
32A	27A	23A	20A	13A	10A	5A	2	4	1.62	SI32 PEL64R 8	
29A	29A	29A	29A	29A	29A	16A	8	1	1.67	SI16 PEL64R 4H	
45A	45A	45A	45A	45A	45A	20A	8	1	1.67	SI25 PEL64R 4H	
58A	58A	58A	58A	58A	50A	23A	8	1	1.67	SI32 PEL64R 4H	

Emergency Stop Rotary Switch - Lockable Off



- Emergency Stop Rotary Switch
- Lockable Off
- Panel Mounting, IP66
- Rotary Handle 64mm²
- IP40 Body
- NEMA Type 3R



Data according to IEC 60947-3, VDE 0660

DC21B Rating							Poles in series	Number of Strings	Weight kg/pcs.	Part Number	Contact Configuration
600V	700V	800V	900V	1000V	1200V	1500V					
16A	16A	16A	13A	9A	6A	3A	2	1	0.21	SI16 ES-PM64R 2	
25A	23A	20A	16A	11A	8A	4A	2	1	0.21	SI25 ES-PM64R 2	
32A	27A	23A	20A	13A	10A	5A	2	1	0.21	SI32 ES-PM64R 2	
29A	16A	16A	13A	9A	6A	3A	2	1	0.26	SI16 ES-PM64R 2H	
45A	23A	20A	16A	11A	8A	4A	2	1	0.26	SI25 ES-PM64R 2H	
50A	27A	23A	20A	13A	10A	5A	2	1	0.26	SI32 ES-PM64R 2H	
16A	16A	16A	13A	9A	6A	3A	2	2	0.24	SI16 ES-PM64R 4	
25A	23A	20A	16A	11A	8A	4A	2	2	0.24	SI25 ES-PM64R 4	
32A	27A	23A	20A	13A	10A	5A	2	2	0.24	SI32 ES-PM64R 4	
16A	16A	16A	16A	16A	16A	16A	4	1	0.25	SI16 ES-PM64R 4S	
25A	25A	25A	25A	25A	25A	20A	4	1	0.25	SI25 ES-PM64R 4S	
32A	32A	32A	32A	32A	32A	23A	4	1	0.25	SI32 ES-PM64R 4S	
16A	16A	16A	16A	16A	16A	16A	4	1	0.25	SI16 ES-PM64R 4T	
25A	25A	25A	25A	25A	25A	20A	4	1	0.25	SI25 ES-PM64R 4T	
32A	32A	32A	32A	32A	32A	23A	4	1	0.25	SI32 ES-PM64R 4T	
16A	16A	16A	16A	16A	16A	16A	4	1	0.25	SI16 ES-PM64R 4B	
25A	25A	25A	25A	25A	25A	20A	4	1	0.25	SI25 ES-PM64R 4B	
32A	32A	32A	32A	32A	32A	23A	4	1	0.25	SI32 ES-PM64R 4B	
16A	16A	16A	13A	9A	6A	3A	2	3	0.37	SI16 ES-PM64R 6	
25A	23A	20A	16A	11A	8A	4A	2	3	0.37	SI25 ES-PM64R 6	
32A	27A	23A	20A	13A	10A	5A	2	3	0.37	SI32 ES-PM64R 6	
16A	16A	16A	13A	9A	6A	3A	2	4	0.42	SI16 ES-PM64R 8	
25A	23A	20A	16A	11A	8A	4A	2	4	0.42	SI25 ES-PM64R 8	
32A	27A	23A	20A	13A	10A	5A	2	4	0.42	SI32 ES-PM64R 8	
29A	29A	29A	29A	29A	29A	16A	8	1	0.47	SI16 ES-PM64R 4H	
45A	45A	45A	45A	45A	45A	20A	8	1	0.47	SI25 ES-PM64R 4H	
58A	58A	58A	58A	58A	50A	23A	8	1	0.47	SI32 ES-PM64R 4H	

Emergency Stop Lever Actuator Switch - Lockable Off



- Emergency Stop Lever Actuator Switch
- Lockable Off
- Base Mounting, Door Clutch, IP66
- Five Point Fixing Handle Mount
- Escutcheon Plate 64mm²
- IP40 Body
- MEMA Type 3R



Data according to IEC 60947-3, VDE 0660

		DC21B Rating					Poles in series	Number of Strings	Weight kg/pcs.	Part Number	Contact Configuration
600V	700V	800V	900V	1000V	1200V	1500V					
16A	16A	16A	13A	9A	6A	3A	2	1	0.20	SI16 ES-PM64 2	
25A	23A	20A	16A	11A	8A	4A	2	1	0.20	SI25 ES-PM64 2	
32A	27A	23A	20A	13A	10A	5A	2	1	0.20	SI32 ES-PM64 2	
29A	16A	16A	13A	9A	6A	3A	2	1	0.25	SI16 ES-PM64 2H	
45A	23A	20A	16A	11A	8A	4A	2	1	0.25	SI25 ES-PM64 2H	
50A	27A	23A	20A	13A	10A	5A	2	1	0.25	SI32 ES-PM64 2H	
16A	16A	16A	13A	9A	6A	3A	2	2	0.23	SI16 ES-PM64 4	
25A	23A	20A	16A	11A	8A	4A	2	2	0.23	SI25 ES-PM64 4	
32A	27A	23A	20A	13A	10A	5A	2	2	0.23	SI32 ES-PM64 4	
16A	16A	16A	16A	16A	16A	16A	4	1	0.24	SI16 ES-PM64 4S	
25A	25A	25A	25A	25A	25A	20A	4	1	0.24	SI25 ES-PM64 4S	
32A	32A	32A	32A	32A	32A	23A	4	1	0.24	SI32 ES-PM64 4S	
16A	16A	16A	16A	16A	16A	16A	4	1	0.24	SI16 ES-PM64 4T	
25A	25A	25A	25A	25A	25A	20A	4	1	0.24	SI25 ES-PM64 4T	
32A	32A	32A	32A	32A	32A	23A	4	1	0.24	SI32 ES-PM64 4T	
16A	16A	16A	16A	16A	16A	16A	4	1	0.24	SI16 ES-PM64 4B	
25A	25A	25A	25A	25A	25A	20A	4	1	0.24	SI25 ES-PM64 4B	
32A	32A	32A	32A	32A	32A	23A	4	1	0.24	SI32 ES-PM64 4B	
16A	16A	16A	13A	9A	6A	3A	2	3	0.36	SI16 ES-PM64 6	
25A	23A	20A	16A	11A	8A	4A	2	3	0.36	SI25 ES-PM64 6	
32A	27A	23A	20A	13A	10A	5A	2	3	0.36	SI32 ES-PM64 6	
16A	16A	16A	13A	9A	6A	3A	2	4	0.41	SI16 ES-PM64 8	
25A	23A	20A	16A	11A	8A	4A	2	4	0.41	SI25 ES-PM64 8	
32A	27A	23A	20A	13A	10A	5A	2	4	0.41	SI32 ES-PM64 8	
29A	29A	29A	29A	29A	29A	16A	8	1	0.46	SI16 ES-PM64 4H	
45A	45A	45A	45A	45A	45A	20A	8	1	0.46	SI25 ES-PM64 4H	
58A	27A	23A	20A	58A	50A	23A	8	1	0.46	SI32 ES-PM64 4H	

Extended Switch Shaft for all switches for panel mounting: Type Suffix

x = panel thickness + "x"

Emergency Stop Rotary Switch - Lockable Off



- Emergency Stop Rotary Switch
- Lockable Off
- Base Mounting, Door Clutch, IP66
- Five Point Fixing Handle Mount
- Rotary Handle 64mm²
- IP40 Body
- NEMA Type 3R



Shaft length is adjustable

Data according to IEC 60947-3, VDE 0660

		DC21B Rating					Poles in series	Number of Strings	Weight kg/pcs.	Part Number	Contact Configuration
600V	700V	800V	900V	1000V	1200V	1500V					
16A	16A	16A	13A	9A	6A	3A	2	1	0.23	SI16 ES-BMDC 2	
25A	23A	20A	16A	11A	8A	4A	2	1	0.23	SI25 ES-BMDC 2	
32A	27A	23A	20A	13A	10A	5A	2	1	0.23	SI32 ES-BMDC 2	
29A	16A	16A	13A	9A	6A	3A	2	1	0.28	SI16 ES-BMDC 2H	
45A	23A	20A	16A	11A	8A	4A	2	1	0.28	SI25 ES-BMDC 2H	
50A	27A	23A	20A	13A	10A	5A	2	1	0.28	SI32 ES-BMDC 2H	
16A	16A	16A	13A	9A	6A	3A	2	2	0.26	SI16 ES-BMDC 4	
25A	23A	20A	16A	11A	8A	4A	2	2	0.26	SI25 ES-BMDC 4	
32A	27A	23A	20A	13A	10A	5A	2	2	0.26	SI32 ES-BMDC 4	
16A	16A	16A	16A	16A	16A	16A	4	1	0.27	SI16 ES-BMDC 4S	
25A	25A	25A	25A	25A	25A	20A	4	1	0.27	SI25 ES-BMDC 4S	
32A	32A	32A	32A	32A	32A	23A	4	1	0.27	SI32 ES-BMDC 4S	
16A	16A	16A	16A	16A	16A	16A	4	1	0.27	SI16 ES-BMDC 4T	
25A	25A	25A	25A	25A	25A	20A	4	1	0.27	SI25 ES-BMDC 4T	
32A	32A	32A	32A	32A	32A	23A	4	1	0.27	SI32 ES-BMDC 4T	
16A	16A	16A	16A	16A	16A	16A	4	1	0.27	SI16 ES-BMDC 4B	
25A	25A	25A	25A	25A	25A	20A	4	1	0.27	SI25 ES-BMDC 4B	
32A	32A	32A	32A	32A	32A	23A	4	1	0.27	SI32 ES-BMDC 4B	
16A	16A	16A	13A	9A	6A	3A	2	3	0.39	SI16 ES-BMDC 6	
25A	23A	20A	16A	11A	8A	4A	2	3	0.39	SI25 ES-BMDC 6	
32A	27A	23A	20A	13A	10A	5A	2	3	0.39	SI32 ES-BMDC 6	
16A	16A	16A	13A	9A	6A	3A	2	4	0.44	SI16 ES-BMDC 8	
25A	23A	20A	16A	11A	8A	4A	2	4	0.44	SI25 ES-BMDC 8	
32A	27A	23A	20A	13A	10A	5A	2	4	0.44	SI32 ES-BMDC 8	
29A	29A	29A	29A	29A	29A	16A	8	1	0.49	SI16 ES-BMDC 4H	
45A	45A	45A	45A	45A	45A	20A	8	1	0.49	SI25 ES-BMDC 4H	
58A	58A	58A	58A	58A	50A	23A	8	1	0.49	SI32 ES-BMDC 4H	

Special extended shafts available upon request, please contact IMO for more information.

Emergency Stop Lever Actuator Switch - Lockable Off



- Emergency Stop Lever Actuator Switch
- Lockable Off
- Single Hole Mounting Ø22mm, IP66
- Escutcheon Plate 48mm²
- IP40 Body
- NEMA Type 3R



Data according to IEC 60947-3, VDE 0660

		DC21B Rating					Poles in series	Number of Strings	Weight kg/pcs.	Part Number	Contact Configuration
600V	700V	800V	900V	1000V	1200V	1500V					
16A	16A	16A	13A	9A	6A	3A	2	1	0.21	SI16 ES-SHM 2	
25A	23A	20A	16A	11A	8A	4A	2	1	0.21	SI25 ES-SHM 2	
32A	27A	23A	20A	13A	10A	5A	2	1	0.21	SI32 ES-SHM 2	
29A	16A	16A	13A	9A	6A	3A	2	1	0.27	SI16 ES-SHM 2H	
45A	23A	20A	16A	11A	8A	4A	2	1	0.27	SI25 ES-SHM 2H	
50A	27A	23A	20A	13A	10A	5A	2	1	0.27	SI32 ES-SHM 2H	
16A	16A	16A	13A	9A	6A	3A	2	2	0.24	SI16 ES-SHM 4	
25A	23A	20A	16A	11A	8A	4A	2	2	0.24	SI25 ES-SHM 4	
32A	27A	23A	20A	13A	10A	5A	2	2	0.24	SI32 ES-SHM 4	
16A	16A	16A	16A	16A	16A	16A	4	1	0.25	SI16 ES-SHM 4S	
25A	25A	25A	25A	25A	25A	20A	4	1	0.25	SI25 ES-SHM 4S	
32A	32A	32A	32A	32A	32A	23A	4	1	0.25	SI32 ES-SHM 4S	
16A	16A	16A	16A	16A	16A	16A	4	1	0.25	SI16 ES-SHM 4T	
25A	25A	25A	25A	25A	25A	20A	4	1	0.25	SI25 ES-SHM 4T	
32A	32A	32A	32A	32A	32A	23A	4	1	0.25	SI32 ES-SHM 4T	
16A	16A	16A	16A	16A	16A	16A	4	1	0.25	SI16 ES-SHM 4B	
25A	25A	25A	25A	25A	25A	20A	4	1	0.25	SI25 ES-SHM 4B	
32A	32A	32A	32A	32A	32A	23A	4	1	0.25	SI32 ES-SHM 4B	
16A	16A	16A	13A	9A	6A	3A	2	3	0.39	SI16 ES-SHM 6	
25A	23A	20A	16A	11A	8A	4A	2	3	0.39	SI25 ES-SHM 6	
32A	27A	23A	20A	13A	10A	5A	2	3	0.39	SI32 ES-SHM 6	
16A	16A	16A	13A	9A	6A	3A	2	4	0.44	SI16 ES-SHM 8	
25A	23A	20A	16A	11A	8A	4A	2	4	0.44	SI25 ES-SHM 8	
32A	27A	23A	20A	13A	10A	5A	2	4	0.44	SI32 ES-SHM 8	
29A	29A	29A	29A	29A	29A	16A	8	1	0.49	SI16 ES-SHM 4H	
45A	45A	45A	45A	45A	45A	20A	8	1	0.49	SI25 ES-SHM 4H	
58A	58A	58A	58A	58A	50A	23A	8	1	0.49	SI32 ES-SHM 4H	

Emergency Stop Rotary Switch - Lockable Off for Distribution Boards



- Emergency Stop Rotary Switch
- Lockable Off
- For Distribution Boards
- IP40
- NEMA Type 1



Data according to IEC 60947-3, VDE 0660

DC21B Rating							Poles in series	Number of Strings	Weight kg/pcs.	Part Number	Contact Configuration
600V	700V	800V	900V	1000V	1200V	1500V					
16A	16A	16A	13A	9A	6A	3A	2	1	0.19	SI16 ES-DB 2	
25A	23A	20A	16A	11A	8A	4A	2	1	0.19	SI25 ES-DB 2	
32A	27A	23A	20A	13A	10A	5A	2	1	0.19	SI32 ES-DB 2	
29A	16A	16A	13A	9A	6A	3A	2	1	0.25	SI16 ES-DB 2H	
45A	23A	20A	16A	11A	8A	4A	2	1	0.25	SI25 ES-DB 2H	
50A	27A	23A	20A	13A	10A	5A	2	1	0.25	SI32 ES-DB 2H	
16A	16A	16A	13A	9A	6A	3A	2	2	0.22	SI16 ES-DB 4	
25A	23A	20A	16A	11A	8A	4A	2	2	0.22	SI25 ES-DB 4	
32A	27A	23A	20A	13A	10A	5A	2	2	0.22	SI32 ES-DB 4	
16A	16A	16A	16A	16A	16A	16A	4	1	0.23	SI16 ES-DB 4S	
25A	25A	25A	25A	25A	25A	20A	4	1	0.23	SI25 ES-DB 4S	
32A	32A	32A	32A	32A	32A	23A	4	1	0.23	SI32 ES-DB 4S	
16A	16A	16A	16A	16A	16A	16A	4	1	0.23	SI16 ES-DB 4T	
25A	25A	25A	25A	25A	25A	20A	4	1	0.23	SI25 ES-DB 4T	
32A	32A	32A	32A	32A	32A	23A	4	1	0.23	SI32 ES-DB 4T	
16A	16A	16A	16A	16A	16A	16A	4	1	0.23	SI16 ES-DB 4B	
25A	25A	25A	25A	25A	25A	20A	4	1	0.23	SI25 ES-DB 4B	
32A	32A	32A	32A	32A	32A	23A	4	1	0.23	SI32 ES-DB 4B	
16A	16A	16A	13A	9A	6A	3A	2	3	0.36	SI16 ES-DB 6	
25A	23A	20A	16A	11A	8A	4A	2	3	0.36	SI25 ES-DB 6	
32A	27A	23A	20A	13A	10A	5A	2	3	0.36	SI32 ES-DB 6	
16A	16A	16A	13A	9A	6A	3A	2	4	0.41	SI16 ES-DB 8	
25A	23A	20A	16A	11A	8A	4A	2	4	0.41	SI25 ES-DB 8	
32A	27A	23A	20A	13A	10A	5A	2	4	0.41	SI32 ES-DB 8	
29A	29A	29A	29A	29A	29A	16A	8	1	0.46	SI16 ES-DB 4H	
45A	45A	45A	45A	45A	45A	20A	8	1	0.46	SI25 ES-DB 4H	
58A	58A	58A	58A	58A	50A	23A	8	1	0.46	SI32 ES-DB 4H	

Emergency Stop Rotary Switch - Lockable Off in Plastic Enclosure



- Emergency Stop Lever Actuator Switch
- Lockable Off
- Plastic Enclosure
- IP65
- NEMA Type 3R



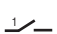
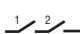
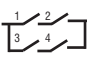
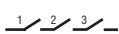
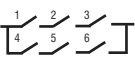
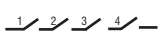
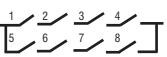
Data according to IEC 60947-3, VDE 0660

DC21B Rating							Poles in series	Number of Strings	Weight kg/pcs.	Part Number	Contact Configuration
600V	700V	800V	900V	1000V	1200V	1500V					
16A	16A	16A	13A	9A	6A	3A	2	1	0.39	SI16 ES-PEL 2	
25A	23A	20A	16A	11A	8A	4A	2	1	0.39	SI25 ES-PEL 2	
32A	27A	23A	20A	13A	10A	5A	2	1	0.39	SI32 ES-PEL 2	
29A	16A	16A	13A	9A	6A	3A	2	1	0.45	SI16 ES-PEL 2H	
45A	23A	20A	16A	11A	8A	4A	2	1	0.45	SI25 ES-PEL 2H	
50A	27A	23A	20A	13A	10A	5A	2	1	0.45	SI32 ES-PEL 2H	
16A	16A	16A	13A	9A	6A	3A	2	2	0.42	SI16 ES-PEL 4	
25A	23A	20A	16A	11A	8A	4A	2	2	0.42	SI25 ES-PEL 4	
32A	27A	23A	20A	13A	10A	5A	2	2	0.42	SI32 ES-PEL 4	
16A	16A	16A	16A	16A	16A	16A	4	1	0.43	SI16 ES-PEL 4S	
25A	25A	25A	25A	25A	25A	20A	4	1	0.43	SI25 ES-PEL 4S	
32A	32A	32A	32A	32A	32A	23A	4	1	0.43	SI32 ES-PEL 4S	
16A	16A	16A	16A	16A	16A	16A	4	1	0.43	SI16 ES-PEL 4T	
25A	25A	25A	25A	25A	25A	20A	4	1	0.43	SI25 ES-PEL 4T	
32A	32A	32A	32A	32A	32A	23A	4	1	0.43	SI32 ES-PEL 4T	
16A	16A	16A	16A	16A	16A	16A	4	1	0.43	SI16 ES-PEL 4B	
25A	25A	25A	25A	25A	25A	20A	4	1	0.43	SI25 ES-PEL 4B	
32A	32A	32A	32A	32A	32A	23A	4	1	0.43	SI32 ES-PEL 4B	
16A	16A	16A	13A	9A	6A	3A	2	3	1.53	SI16 ES-PEL 6	
25A	23A	20A	16A	11A	8A	4A	2	3	1.53	SI25 ES-PEL 6	
32A	27A	23A	20A	13A	10A	5A	2	3	1.53	SI32 ES-PEL 6	
16A	16A	16A	13A	9A	6A	3A	2	4	1.58	SI16 ES-PEL 8	
25A	23A	20A	16A	11A	8A	4A	2	4	1.58	SI25 ES-PEL 8	
32A	27A	23A	20A	13A	10A	5A	2	4	1.58	SI32 ES-PEL 8	
29A	29A	29A	29A	29A	29A	16A	8	1	1.63	SI16 ES-PEL 4H	
45A	45A	45A	45A	45A	45A	20A	8	1	1.63	SI25 ES-PEL 4H	
58A	58A	58A	58A	58A	50A	23A	8	1	1.63	SI32 ES-PEL 4H	

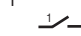
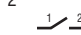
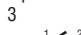

Technical Data


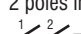
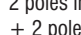
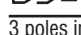
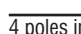


Data according to IEC 60947-3, VDE 0660

Main Contacts		Unit	SI16	SI25	SI32	
Rated thermal current I_{the}		A	16	25	32	
Rated insulation voltage U_j ¹⁾		V	1000	1000	1000	
Rated insulation voltage U_j ²⁾		V	1500	1500	1500	
Distance of contacts (per pole)		mm	8	8	8	
Rated operational current I_o DC21B						
DC21B L/R = 1ms	1 pole 	500V	A	9	11	13
		600V	A	6	8	10
	2 Pole in series 2 	800V	A	3	4	5
		1000V	A	1.5	2	2.5
		500V	A	16	25	32
		600V	A	16	25	32
		700V	A	16	23	27
		800V	A	16	20	23
		900V	A	13	16	20
	2 poles in series +2 poles parallel 2H 	1000V	A	9	11	13
		1200V	A	6	8	10
		1500V	A	3	4	5
		500V	A	29	45	58
		600V	A	29	45	50
		700V	A	16	23	27
		800V	A	16	20	23
	3 poles in series 	900V	A	13	16	20
		1000V	A	9	11	13
		1200V	A	6	8	10
		1500V	A	3	4	5
500V		A	16	25	32	
600V		A	16	25	32	
700V		A	16	25	32	
3 poles in series +2 poles parallel 3H 	800V	A	16	25	32	
	900V	A	16	25	32	
	1000V	A	16	25	32	
	1200V	A	12	14	16	
	1500V	A	9	11	13	
	500V	A	29	(45)	(58)	
	600V	A	29	(45)	(50)	
4 poles in series 4 	700V	A	29	(38)	(45)	
	800V	A	29	(38)	(45)	
	900V	A	29	(38)	(45)	
	1000V	A	29	(38)	(45)	
	1200V	A	12	14	16	
	1500V	A	9	11	13	
	500V	A	16	25	32	
4 poles in series +2 poles parallel 4H 	600V	A	16	25	32	
	700V	A	16	25	32	
	800V	A	16	25	32	
	900V	A	16	25	32	
	1000V	A	16	25	32	
	1200V	A	16	25	32	
	1500V	A	16	20	23	
500V	A	29	45	58		
600V	A	29	45	58		
700V	A	29	45	58		
800V	A	29	45	58		
900V	A	29	45	58		
1000V	A	29	45	58		
1200V	A	29	45	50		
1500V	A	16	20	23		
Rated operational current I_o AC21B						
2,4	U_o max. 440V	A	16	25	32	
2H	U_o max. 440V	A	29	45	58	

1) Suitable at 1000V for: earthed-neutral systems, overvoltage category I to III, pollution degree 3 (standard-industry): $U_{imp}=8kV$
 2) Suitable at 1000V for: earthed-neutral systems, overvoltage category I to III, pollution degree 2 (min. IP55): $U_{imp}=8kV$.
 Data for other conditions on request.

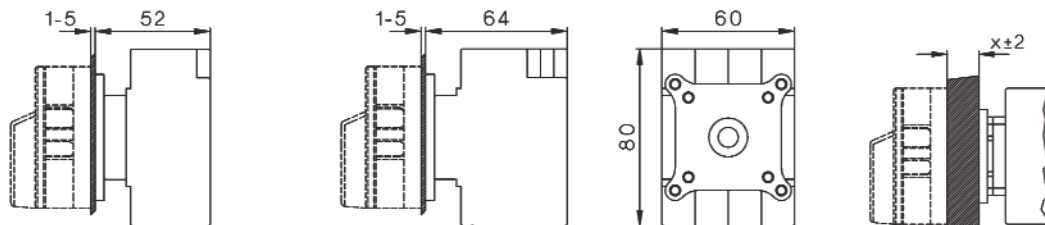
Main Contacts		Unit	S116	S125	S132			
Rated operational current $I_{c, DC22B}$								
L/R = 2.5ms	1 pole 1 	500V	A	1	1.25	1.5		
		600V	A	0.5	0.75	1		
		800V	A	0.3	0.4	0.5		
		1000V	A	0.15	0.2	0.25		
	2 poles in series 2 	500V	A	7	8	9		
		600V	A	5.5	6	6.5		
		800V	A	2	2.5	3		
		1000V	A	1	1.5	2		
	3 poles in series 3 	500V	A	16	25	27		
		600V	A	16	23	25		
		800V	A	6.5	7	7.5		
		1000V	A	5.5	6	6.5		
	4 poles in series 	500V	A	16	25	32		
		600V	A	16	25	27.5		
		800V	A	11.5	12	12.5		
		1000V	A	8	9	10		
Rated conditional short-circuit current			kA_{eff}	5	5	5		
Max. fuse size			gl (gG)	A	40	63	80	
Mechanical Life			$\times 10^3$	10	10	10		
Rated short-time withstand current (1s) I_{cw}			2, 4, 6, 8	A	800	900	1000	
withstand current (1s)			2H, 3H, 4H	A	1300	1500	1700	
Short circuit making capacity			I_{cw}	2, 4, 6, 8	A	800	900	1000
making capacity			2H, 3H, 4H	A	1300	1500	1700	
Maximum cable cross sections			(inc. jumper SIV-B1)					
Solid or stranded			mm^2	4 - 16	4 - 16	4 - 16		
Flexible			mm^2	4 - 10	4 - 10	4 - 10		
Flexible (+ multicore cable end)			mm^2	4 - 10	4 - 10	4 - 10		
Size of terminal screw				M4 Pz2	M4 Pz2	M4 Pz2		
Tightening torque			Nm	1.2 - 1.8	1.2 - 1.8	1.2 - 1.8		
Maximum ambient temperature								
Operation			Open	$^{\circ}C$	-40 to + 65 (de-rating for +70 = 32A to 30A, 25A to 24A, 16A to 15A)			
			Enclosed	$^{\circ}C$	-40 to + 45			
Storage				$^{\circ}C$	-50 to + 90			
Power loss per switch at $I_{e, max, DC21B}$								
2			W	2	5	8		
4			W	4	10	16		
6			W	6	15	24		
8			W	8	20	32		
2H			W	3.5	8.5	14		
3H			W	5.5	13	21		
4H			W	7	17	28		

Main Contacts		Unit	S116	S125	S132	
Ampere-Rating uL						
1 pole 	350V	A	4	5	6	
		A	4	5	6	
		A	4	5	6	
	2 poles in series 	350V	A	16	20	25
		500V	A	16	20	25
		600V	A	16	20	25
	2 poles in series + 2 poles parallel 	350V	A	29	45	58
		500V	A	29	38	40
		600V	A	21	23	25
	3 poles in series 	350V	A	16	25	32
		500V	A	16	25	32
		600V	A	16	25	32
	4 poles in series 	350V	A	16	25	32
		500V	A	16	25	32
		600V	A	16	25	32
	Fuse size (RK5)			Industrial Control Switch		
5kA / 600V			A	40	60	80
Maximum cable cross sections (incl. jumper SIV-B1)						
Solid or stranded			AWG	12 - 10	12 - 10	12 - 10
Flexible			AWG	12 - 6	12 - 6	12 - 6
Flexible (+ multicore cable end)			AWG	12 - 6	12 - 6	12 - 6
Size of terminal screw				M4 Pz2	M4 Pz2	M4 Pz2
Tightening torque			lb.inch	11 - 16	11 - 16	11 - 16

Dimensions

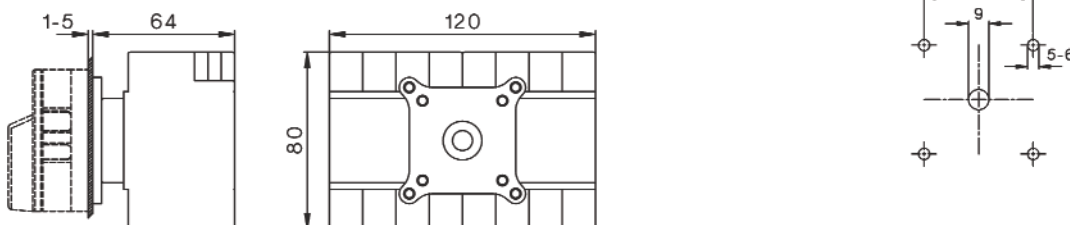
SI16 PM/ES-PM, SI25 PM/ES-PM, SI32 PM/ES-PM
..2 ..2+2H, ..4.

SI...+ "x"
Extended Switch Shadt



SI16 PM/ES-PM, SI25 PM/ES-PM, SI32 PM/ES-PM
..6, ..8, ..3H, ..4H

Mounting holes

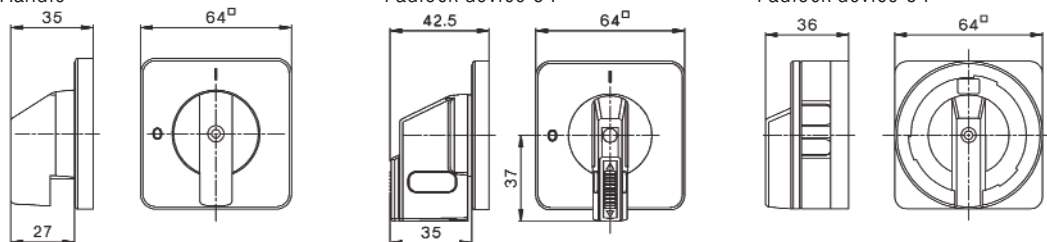


Escutcheon plate 64[□]

Handle

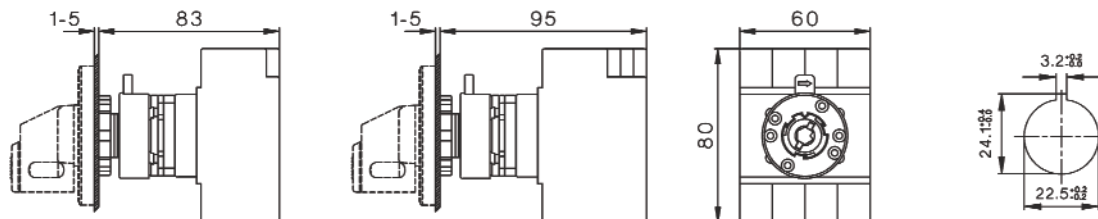
Padlock device 64

Padlock device 64

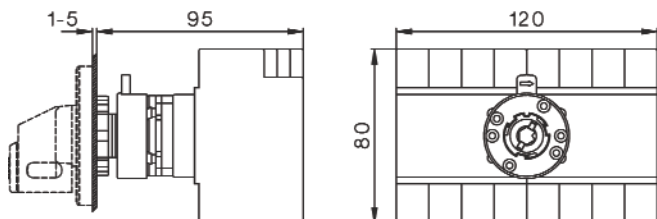


SI16 SHM/ES-SHM, SI25 SHM/ES-SHM, SI32 SHM/ES-SHM
..2 ..2H, ..4.

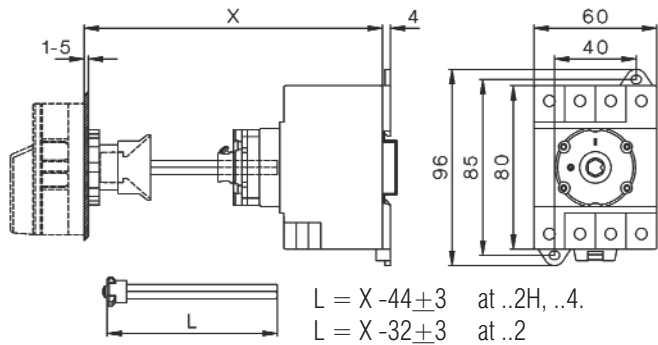
Mounting hole



SI16 SHM/ES-SHM, SI25 SHM/ES-SHM, SI32 SHM/ES-SHM
..6, ..8, ..3H, ..4H



SI16 BMDC/ES-BMDC, SI25 BMDC/ES-BMDC, SI32 BMDC/ES-BMDC

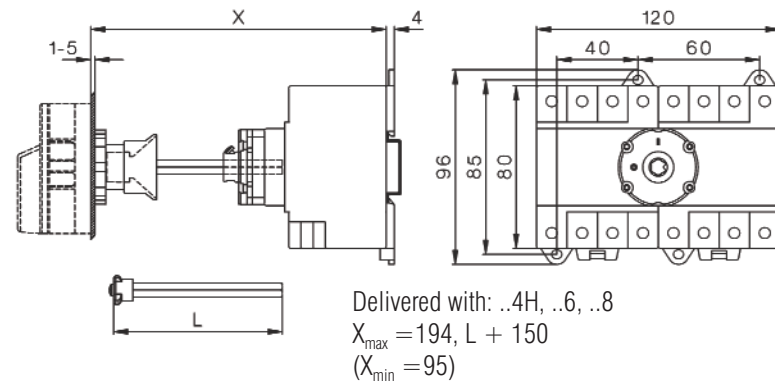


Delivered with: ..2H, ..4. :
 $X_{\max} = 194, L + 150$
 $(X_{\min} = 95)$

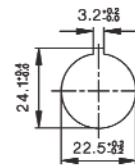
Delivered with: ..2:
 $X_{\max} = 182, L + 150$
 $(X_{\min} = 83)$

greater x-Dimensions on request

SI16 BMDC/ES-BMDC, SI25 BMDC/ES-BMDC, SI32 BMDC/ES-BMDC
 ..6, ..8, ..3H, ..4H



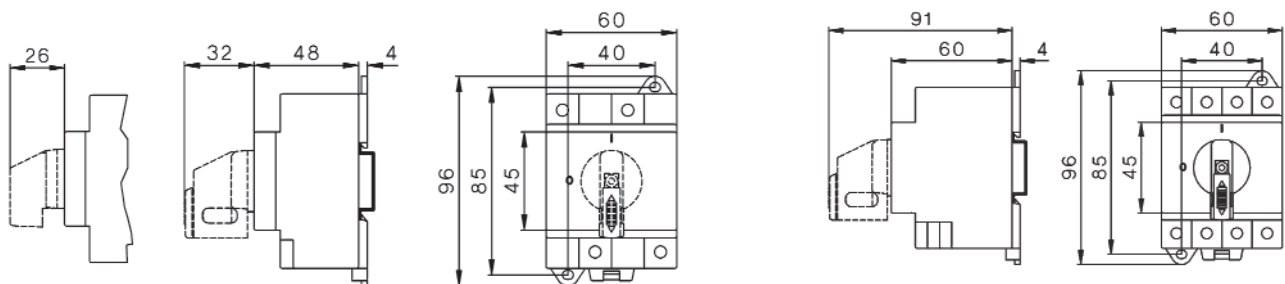
Mounting hole



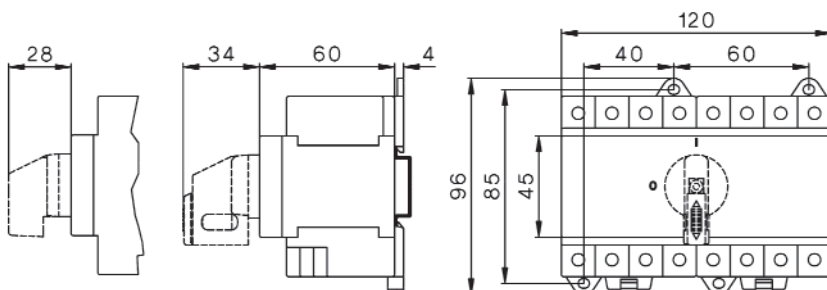
$L = X - 44 \pm 3$

SI16 DB/DBL/ES-DB, SI25 DB/DBL/ES-DB, SI32 DB/DBL/ES-DB
 ..2

..2 + 2H, ..4.



SI16 DB/DBL/ES-DB, SI25 DB/DBL/ES-DB, SI32 DB/DBL/ES-DB
 ..6, ..8, ..3H, ..4H

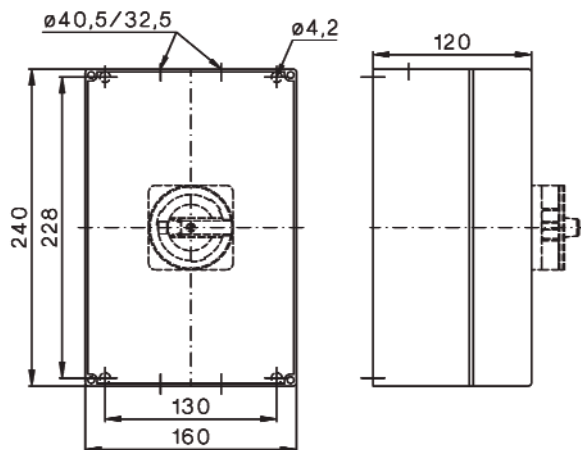
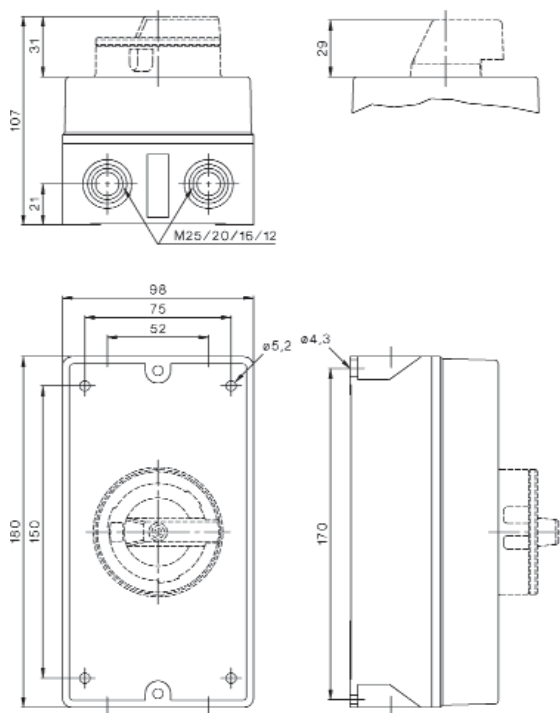


Dimensions (continued)

SI16 PEL64 / PEL64R / ES-PEL
SI25 PEL64 / PEL64R / ES-PEL
SI32 PEL64 / PEL64R / ES-PEL

..2, ..2H, ..4

..6, ..8, ..3H, ..4H



Enclosed AC Isolator



- 3 and 4 pole (6-8 Pole available on request)
- On load 20A - 80A
- Red/Yellow Handle
- 3 Padlock Positions
- IP65

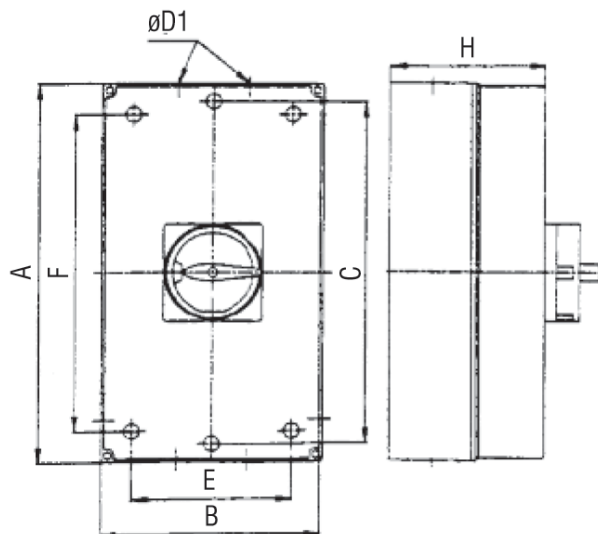


Specification Data according to IEC 60947-3, VDE 0660

PE.. <small>(e.g. PE69-3020)</small>	Unit	69-3020	69-3025	69-3032	69-3040	69-3063	69-3080
		69-4020	69-4025	69-4032	69-4040	69-4063	69-4080
Rated insulation voltage	Ui	690V	690V	690V	690V	690V	690V
Rated thermal current	Ith	20A	25A	32A	40A	63A	80A
Ratings @ 415V							
AC21	A	20	25	32	40	63	80
AC22	A	20	25	32	40	63	80
AC23	Kw	5.5	7.5	11	15	18.5	22
Making capacity @ 415V	Aeff	120	150	220	300	370	44
Breaking capacity @415V	Aeff	110	135	200	250	330	380
Electrical Life @ rated load							
Mechanical Life	x10 ³	100	100	100	100	100	100
Maximum cable size	mm ²	10	10	10	10	25	25
Weight	g	0.46	0.46	0.46	0.46	0.46	0.46

Dimensions

Switch Rating	A	B	D1	E	F	H
20A to 40A	130	98	2xM20/25	75	100	77
63A and 80A	200	120	M40.5/ 32.5 + 16.5	95	165	86



Unrivalled Choice From the World's Finest



From a single product to a complete application solution, IMO has the product range and knowledge to meet today's most demanding application requirements.

IMO is at the forefront of control component technology specifically developed for the renewable energy market and, in particular, solar energy. Whether meeting the demands of safe and efficient DC switching or delivering solutions that help to maximise solar energy conversion rates, you can be sure that IMO products have been developed to meet the highest technical and commercial standards. A selection of our solar energy products are illustrated below:



Solar Isolators

Specifically developed for arduous DC disconnect applications, the IMO range of Solar Isolators feature an operator independent trigger ratchet switching mechanism resulting in switching times of less than 5ms. High reliability knife edge contacts and long arc cooling chambers ensure safe and effective isolation of DC voltages within solar installations.

Available in 2 to 8 pole versions in a wide variety of mounting and handle configurations, the IMO Solar Isolator range is suitable for most OEM or site installation applications.



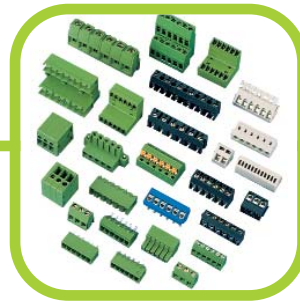
Solar Relays

Long a market leader in pcb and industrial relay technology, IMO has introduced a range of solar relays specifically developed to meet the high contact gap and insulation requirements of modern solar applications.

The features include:

- High reliability 1 pole or 2 pole contact configurations
- PCB and chassis mount versions
- High switching capacity of up to 31A available
- Contact gap of up to 3mm available
- Dielectric strength ratings of up to 5KV

Whatever the requirement, IMO's range of solar relays offer the most advanced solution for your applications needs.



PCB Terminals

Our comprehensive range of PCB terminal blocks include, cable to board, plug and socket and screwless technologies giving the greatest flexibility to meet the most demanding Solar design applications. Suitable for both system (DC) or consumer (AC) side of the installation benefits include:

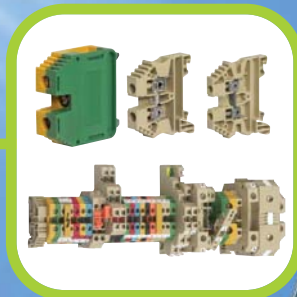
- Pitches up to 15.24mm
- Cable entry sizes up to 16mm²
- Rated up to 76A @ 1000VAC (IEC) and 57A @ 600VAC
- Multiple decks available up to three rows.
- Screw flange versions available to ensure connection integrity.
- Screwless plugs available to reduce assembly time.



iCube Controller

The iCube Intelligent Controller combines reliable PLC technology, display interface and the most advanced communications options into a single economical simple to program unit. Used in combination with luminosity sensor equipment the iCube operates as the ideal tracking device to control solar panel orientation and ensure maximum installation efficiency.

Its IP65 rating enables it to be mounted externally if required and its Modbus communications give seamless connectivity to other energy devices such as power meters. The optional GPRS/GSM modem transforms the iCube enabling remote access, text messaging and emailing.



Solar Connectors

Mobile connectors are used to connect PV panels in series, allow cabling to be linked together and provide connection to Branch and Panel connectors.

Branch connectors are used to link multiple strings together.

Panel connectors mount on solar string boxes, enclosed DC isolators and any other enclosed DC switching device allowing easy connection to the rest of the PV system.

Key Features:

- 1000V DC 30A Rated
- For 4-6mm² Cables
- Secure Easy Clip and Release System
- IP67 Protection
- UL94-5VA Fire approved
- Class 2 Protection

DIN Terminals

The IMO range of DIN Rail Terminals provides a host of features including UL and ATEX approvals, multiple colour options and easy marker system with plotter for the solar OEM engineer.

Strengthened crossbars ensure high reliability and all terminals are supplied open for rapid assembly or installation.

Available in sizes from 2.5mm² to 240mm and in Screw or Spring clamp versions, the IMO DIN Rail Terminal range has the right solution for today's solar OEM applications.

IMO Precision Controls Limited
1000 North Circular Road
Staples Corner
London NW2 7JP
United Kingdom

Tel: +44 (0)20 8452 6444
Fax: +44 (0)20 8450 2274
Email: imo@imopc.com
Web: www.imopc.com

IMO Automazione
Via Ponte alle Mosse, 61
50144 Firenze (FI)
Italia

Tel: +39 800 783281
Fax: +39 800 783282
Email: info@imopc.it
Web: www.imopc.it

IMO Jeambrun Automation SAS
Centre D'Affaires Rocroy
30, Rue de Rocroy
94100 Saint-Maur-Des-Fosses
France

Tel: +8000 452 6444
Fax: +8000 452 6445
Email: info@imopc.fr
Web: www.imopc.fr

IMO Canada
18 Strathearn Avenue
Unit 32- B-North,
Brampton, ON L6T 4Y2
Canada

Tel: +1 866 275 9688
Fax: +1 905 799 0450
Email: imocanada@imopc.com
Web: www.imopc.com