

EY Series

Ceramic Composition
10% Tolerance



FEATURES

- Suitable for automatic machine insertion
- Ideal for high energy/high peak power applications
- Products with lead-free terminations meet EU RoHS requirements
- Higher reliability against disconnection compared to wirewound resistors and film resistors



SERIES SPECIFICATIONS

Series	Watts max.*	Resistance range	Tolerance	Joules max.**	Max. working volts
EY	2.5	10Ω - 390KΩ	±10%	400	550

* at 25°C. **For a single impulse.

CHARACTERISTICS

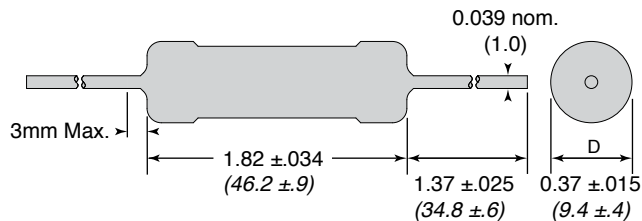
Test	Condition	Requirement $\Delta R \pm (\pm 0.05\Omega)$	Power Rating	Based on 25°C free air rating			
Resistance	Resistance Measurement voltage	Within regulated to tolerance	TCR	-900±300: R<100Ω			
				3.3Ω~8.2Ω	0.3V	25°C	-1200±300: R≥100Ω
				10Ω~82Ω	1.0V		
	100Ω~390kΩ	3.0V					
TCR	+25°C/-40°C and +25°C/+125°C	<100Ω: -900+/- 300ppm ≥100Ω: -1200+/-300ppm	Voltage	Abs. max. working: 550V Abs. max. overload: 1100V Abs. max. pulse: 25kV			
Voltage Coefficient	Rated voltage and rated voltage x 10% (Apply for over 1kΩ)	0~-0.05%/V	Operating Temp. Range	-40°C to +110°C			
Overload	Rated voltage x 2.5 or maximum overload voltage for 5s, whichever less	±2% limit; 0.4% typical	Tolerance	±10% standard			
Single impulse rating	The resistor mounted to the test circuit at right. Single impulse test of 10 ohm resistor resulting in 3.3ms.	±5%	Derating				
Resistance to soldering heat	350°C±10°C, 3.5s±0.5s	±2% limit; 0.8% typical					
Rapid change of temperature	-40°C(30min.)/+85°C(30min.), 5 cycles	±2% limit; 0.4% typical					
Moisture resistance	40°C±2°C, 90%~95%RH, 1000h, 1.5h ON/0, 5h OFF cycles	±5% limit; 0.6% typical					
Load life	40°C±2°C, 1000h, 1.5h ON/0, 5h OFF cycles	±5% limit; 0.4% typical					
Resistance to Solvent	Dipping in IPA or Xylene for 3 minutes and leaving for 10 minutes after removing drops, then brushing 10 times.	No abnormality in appearance. Marking shall be easily legible.					

EY Series

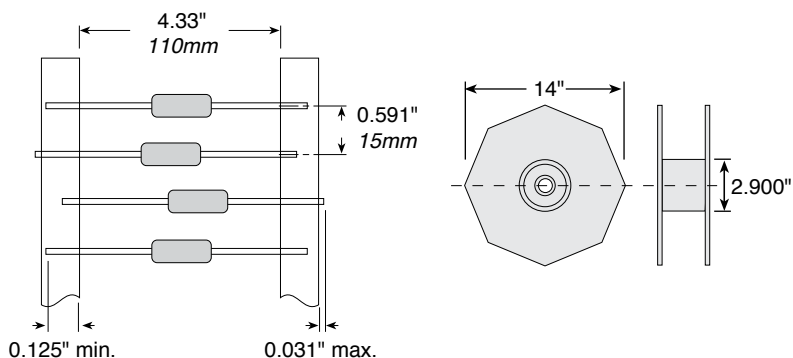
Ceramic Composition
10% Tolerance

DIMENSIONS

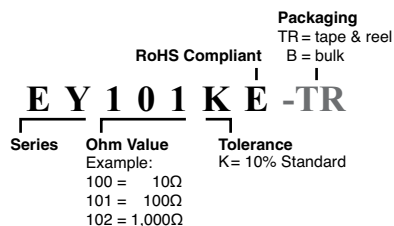
in./mm



Tape and Reel Dimensions



ORDERING INFORMATION



Standard values

EY100KE	EY471KE
EY150KE	EY681KE
EY180KE	EY102KE
EY270KE	EY152KE
EY330KE	EY272KE
EY470KE	EY472KE
EY680KE	EY103KE
EY101KE	EY153KE
EY151KE	EY473KE
EY271KE	EY104KE