

HUBBELL USB Charger 4 Port Outlet

More Power - Charge Faster

- 5 Amps of USB Capacity
 - Charge Multiple Smart Devices Simultaneously
- 4 Stainless Steel Ports
 - More Capacity
 - Rated for 10,000 insertions and removals
- Green Power Enabled
 - Port Door Switch
 - Shuts Off Power When Not-in-Use

FEATURES

- Four USB ports 5 Amp, 5V DC, type A, class 2.0
- Switch activated port door; when opened delivers power, when closed shuts off power
- Green LED indicator to show USB power available
- Heavy duty stainless steel USB ports; rated for 10,000 cord insertions and removals
- Solid or stranded wire use:
 - Hot + Neutral: back wire compression clamp
 - Ground: back or side wire

SPECIFICATIONS

- USB 5 Amp, 5V DC
- Input voltage: 125V AC, 60Hz
- Zero no load power consumption when not-in-use
- Circuit feed-through 20 Amp, 125 Volt
- #14-10 AWG gauge wire terminals
- Dielectric withstand: 1500V AC for 1 minute
- Operating temperature: maximum continuous 75° C; minimum -40° C (without impact)
- Meets UL94 for 5V flammability rating
- Complies with battery charging specification USB BC1.2
- Compatible with USB 1.1/2.0/3.0 devices, including Apple products
- Complies with Part 15 of the FCC rules
- cETLus to UL 1310



Hubbell's USB 4 Port Charger provides USB power in a standard single gang electrical opening. Designed to provide maximum charging for personal electronics, the USB ports are capable of delivering a total of 5 amps to multiple electronics simultaneously. The outlet features a USB port door, which when opened enables power, when closed all power is switched off. This eliminates all current flow for a "zero" no load draw. Buildings looking to provide 100% green efficiency in power delivery will maximize LEED and energy design.

APPLICATIONS

Ideal for use in new construction and renovation to add capacity for USB charging. Especially suited for use in universities, dormitories, hotels, hospitals, medical labs, restaurants, airports, classrooms and homes.

Designed for use with:

- Apple® Products
 - iPad®
 - iPod®
 - iPhone®
- Digital Readers
- Smart Watches
- USB fans, lights and accessories
- Tablet computers
- Smart Phones
- Mobile Phones
- MP3 Players
- GPS
- Other USB compatible products



HSI-GREEN™

Apple, iPad, iPod and iPhone are registered trademarks of Apple Inc.

HUBBELL WIRING DEVICE-KELLEMS

ORDERING INFORMATION

USB 4 PORT OUTLET

Description	Color	Catalog Number
USB Charger 4 Port Outlet, Four USB Type 2.0 Ports, 5 Amp, 5 Volt DC, Style Line® Decorator	Black	USB4BK
	Brown	USB4
	Gray	USB4GY
	Ivory	USB4I
	Light Almond	USB4LA
	White	USB4W



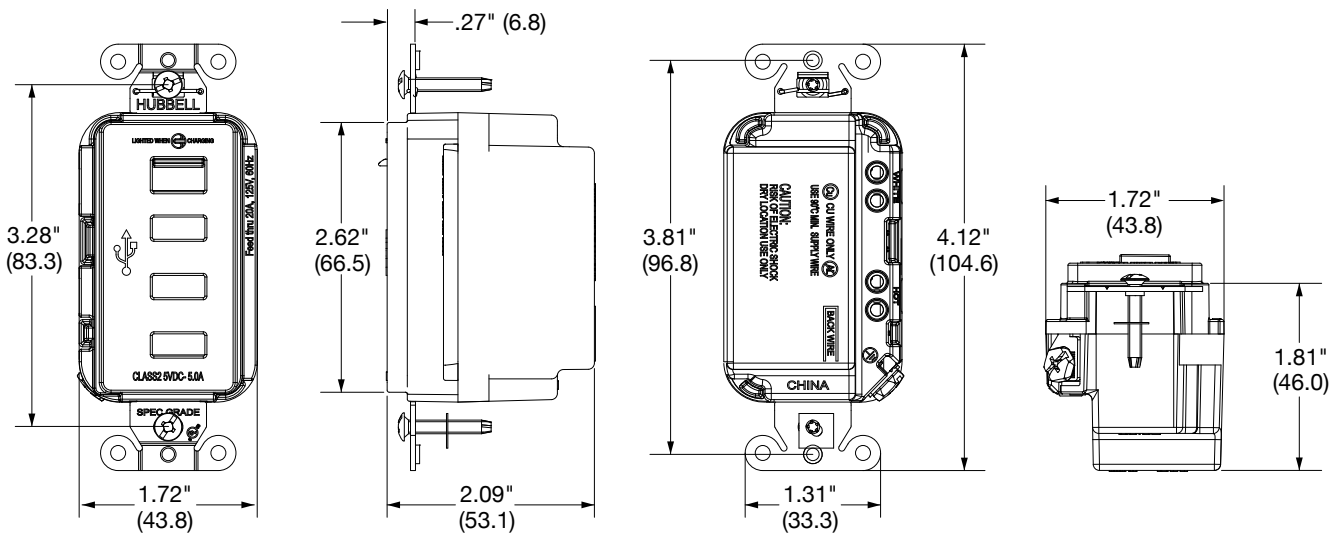
Energy Information

120V AC Input Power	Energy consumed when USBs are not in use	Energy consumed when USBs are fully used		
	No Load Current	"0"	Full Load Current	0.46A
	No Load Watts	"0"	Full Load Watts	29.3W

This outlet is capable of delivering up to 5 amps 5V DC of USB power. If multiple smart devices are plugged in the individual ports will allocate power as determined by the smart devices.

Suitable for use on circuits with AFCI and GFCI protection.

DIMENSIONS Inches (mm)



Note: For use with boxes deeper than 1.5" with internal AC/MC clamps.

HUBBELL®
Wiring Device-Kellems

www.hubbell-wiring.com



Hubbell Wiring Device-Kellems • Hubbell Incorporated (Delaware) • 40 Waterview Drive • Shelton, CT 06484 • Phone (800) 288-6000 • FAX (800) 255-1031
Printed in U.S.A. Specifications subject to change without notice.

WLDSB005 3/14