

Data Sheet

Description

The HSMW-CL25 series of parts is designed with an ultra small form factor to allow this miniaturization. The HSMW-CL25 series is the thinnest available top emitting package in the market with high brightness InGaN die technology. The leadframe construction of this package allows the part to transfer heat from the package, thus it is able to survive temperature conditions of -40°C to 85°C despite its small size.

The target applications are Keypad backlighting, Push button backlighting and Status indicators.

The target markets are Mobile Handsets, Communications, Office Automation, Industrial and Commercial automations, Home Market appliances, Networking, Medical Instruments, and Mobile Computing. This product is competitively priced, and production is geared towards short lead times and ample capacity.

Features

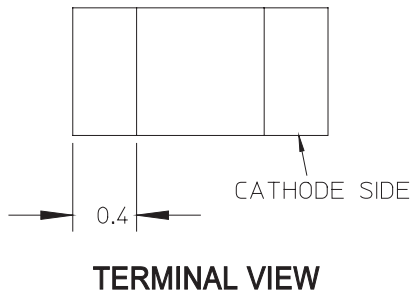
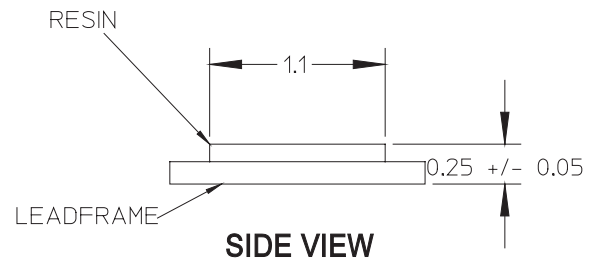
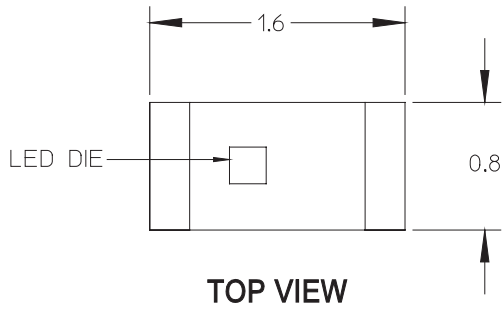
- Small size top firing
- Small 1.6 (L) x 0.8 (W) x 0.25 (H) mm package
- Diffused optics
- Compatible with IR Reflow
- High brightness using InGaN die technology
- Available in 8mm Tape on 7" (178 mm) Diameter Reels

Advantages

- High package thermal dissipation capability due to the superior package leadframe design
- Small footprint to overcome space count
- Low thickness to overcome space constrains
- Short lead times and competitive pricing

CAUTION: HSMW-CL25 LEDs are Class 1B ESD sensitive per JESD22-A114C.01. Please observe appropriate precautions during handling and processing. Refer to Application Note AN-1142 for additional details.

Package Dimensions



Notes:

1. All dimensions in millimeters (inches).
2. Tolerance is $\pm 0.1\text{mm}$ ($\pm 0.004\text{ in.}$) unless otherwise specified

Device Selection Guide

Package Dimension (mm)	Die Technology	Colors	Testing Current (mA)	Parts per Reel	Package Description
1.6 (L) x 0.8 (W) x 0.25 (H)	InGaN	White	5	4000	Untinted, Diffused

Absolute Maximum Ratings at $T_A = 25^\circ\text{C}$

Parameter	HSMW-CL25	Units
DC Forward Current ^[1]	10	mA
Power Dissipation	39	mW
Reverse Voltage ($I_R = 100\mu\text{A}$)	5	V
LED Junction Temperature	95	$^\circ\text{C}$
Operating Temperature Range	-40 to +85	$^\circ\text{C}$
Storage Temperature Range	-40 to +85	$^\circ\text{C}$
Soldering Temperature	See reflow soldering profile (Figure 7 & 8)	

Notes:

1. Derate linearly as shown in Figure 4.

Electrical Characteristics at $T_A = 25^\circ\text{C}$

Part Number	Forward Voltage VF (Volts) ^[1] @ IF = 5mA		Reverse Breakdown VR (Volts) @ IR = 100 μ A	Thermal Resistance R θ_{J-PIN} ($^\circ\text{C}/\text{W}$)
	Typ.	Max.	Min.	Typ.
HSMW-CL25	2.85	3.15	5	300

Notes:

1. Vf tolerance : $\pm 0.1\text{V}$

Optical Characteristics at $T_A = 25^\circ\text{C}$

Part Number	Luminous Intensity IV ^[1] (mcd) @ 5mA		Chromaticity Coordinates ^[2]	Viewing Angle ^[3] ($^\circ$)
	Min.	Typ.	Bin	Typ.
HSMW-CL25	28.5	70.0	A1 – D2 (Refer to Figure 1)	120

Notes:

1. The luminous intensity I_V is measured at the peak of the spatial radiation pattern which may not be aligned with the mechanical axis of the LED package.
2. The chromaticity coordinates, are derived from the CIE Chromaticity Diagram and represents the perceived color of the device.
3. $\theta_{1/2}$ is the off-axis angle where the luminous intensity is $1/2$ the peak intensity.

Light Intensity (IV) Bin Limits

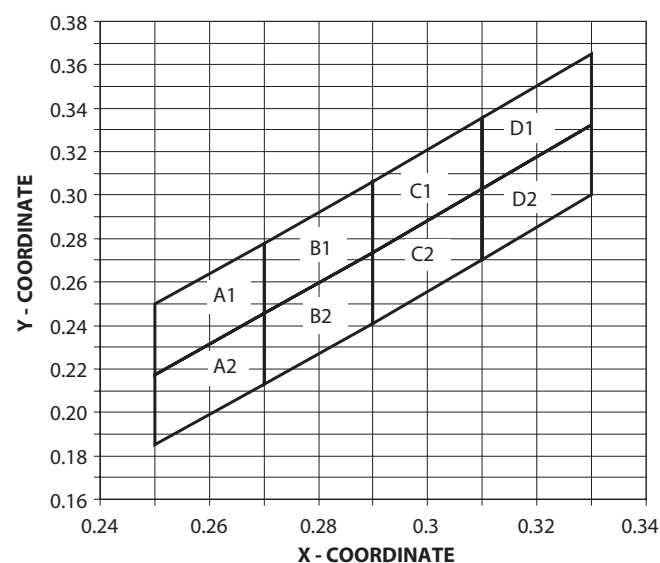
Bin ID	Intensity (mcd)	
	Minimum	Maximum
N	28.50	45.00
P	45.00	71.50
Q	71.50	112.50

Tolerance : $\pm 15\%$

Forward Voltage (VF) Bin Limits

Bin ID	Forward Voltage (V)	
	Minimum	Maximum
1	2.55	2.75
2	2.75	2.95
3	2.95	3.15

Tolerance : $\pm 0.1\text{V}$



Rank	Chromaticity Coordinates			
		X	Y	Z
A1	X	0.2700	0.2700	0.2500
	Y	0.2455	0.2780	0.2500
A2	X	0.2700	0.2700	0.2500
	Y	0.2455	0.2130	0.1850
B1	X	0.2700	0.2700	0.2900
	Y	0.2455	0.2780	0.3060
B2	X	0.2700	0.2700	0.2900
	Y	0.2455	0.2130	0.2410
C1	X	0.2900	0.3100	0.3100
	Y	0.3060	0.3355	0.3030
C2	X	0.2900	0.3100	0.2900
	Y	0.2410	0.2705	0.3030
D1	X	0.3100	0.3100	0.3300
	Y	0.3030	0.3355	0.3650
D2	X	0.3100	0.3100	0.3300
	Y	0.3030	0.2705	0.3000

Figure 1. SMT White Color Bin Structure (CIE 1931 Chromaticity Diagram)
[Tolerance = ± 0.02]

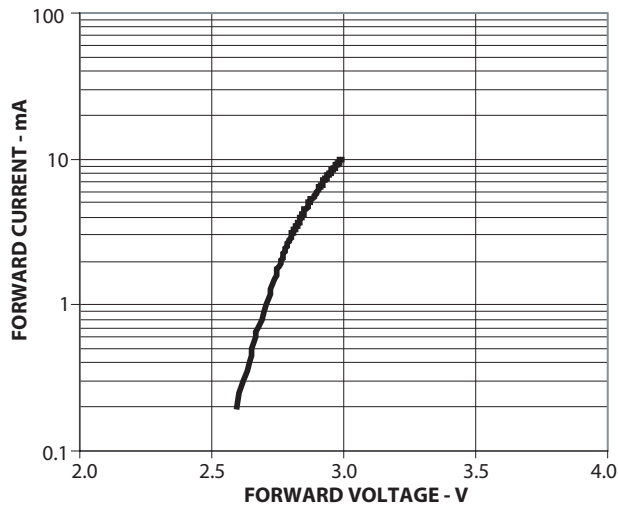


Figure 2. Forward voltage vs. forward current

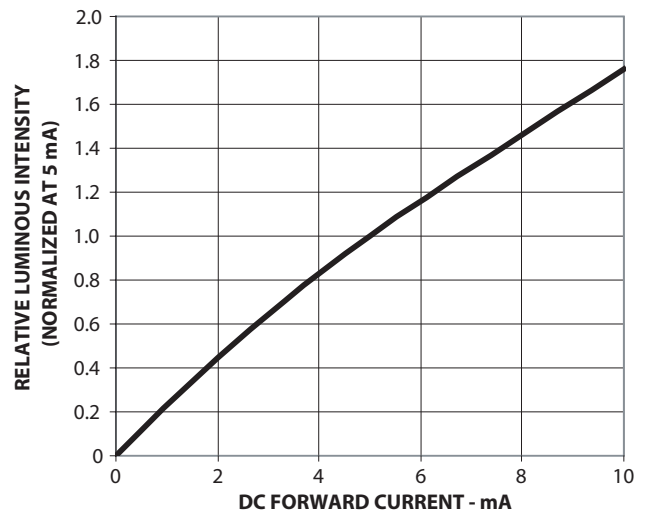


Figure 3. Luminous intensity vs. forward current

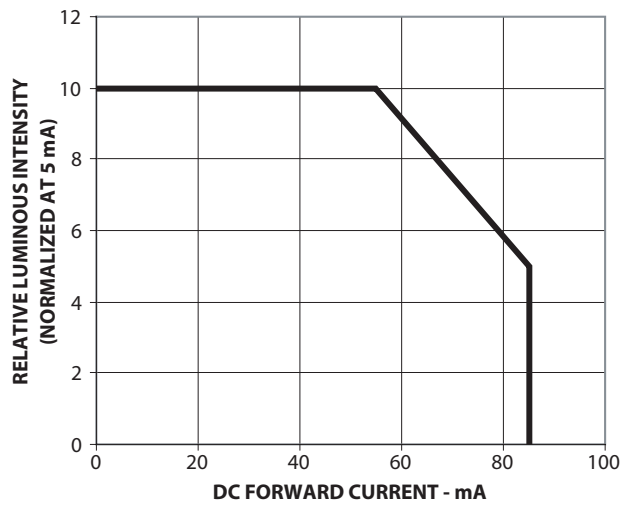


Figure 4. Maximum forward current vs. ambient temperature

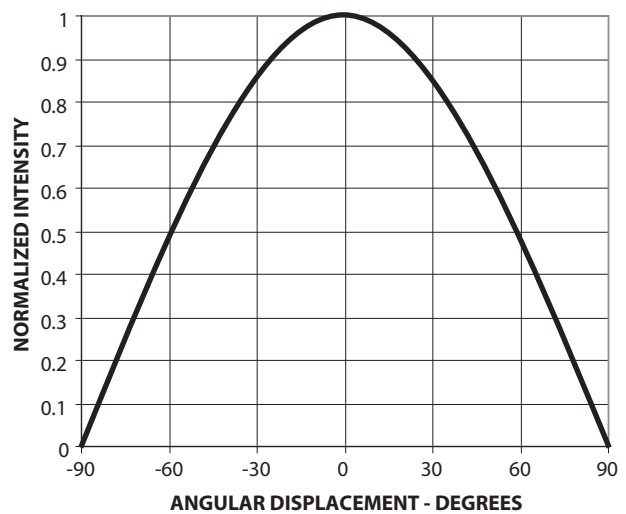
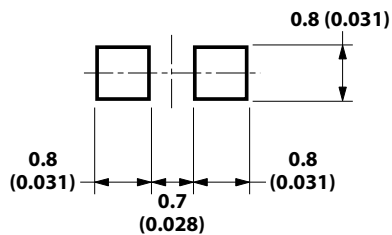


Figure 5. Radiation Pattern



Notes:

1. All dimensions are in millimeters (inches).
2. Tolerance is $\pm 0.1\text{mm}$ ($\pm 0.004\text{in.}$) unless otherwise specified.

Figure 6. Recommended soldering land pattern.

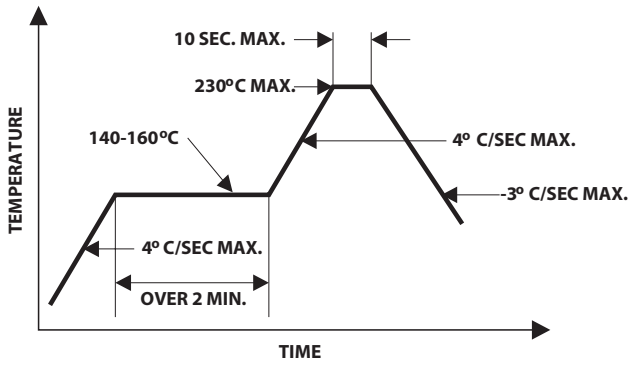


Figure 7. Recommended reflow soldering profile

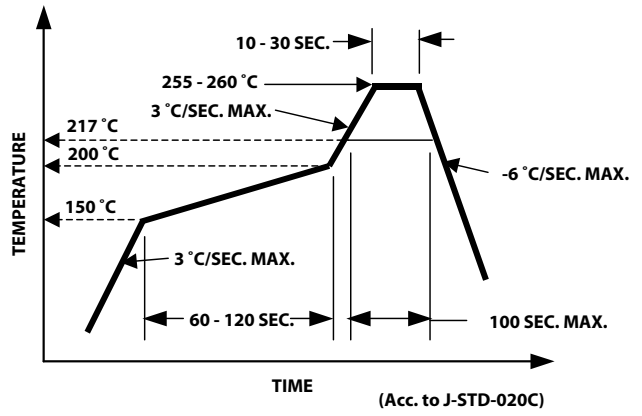


Figure 8. Recommended Pb-free reflow soldering profile.

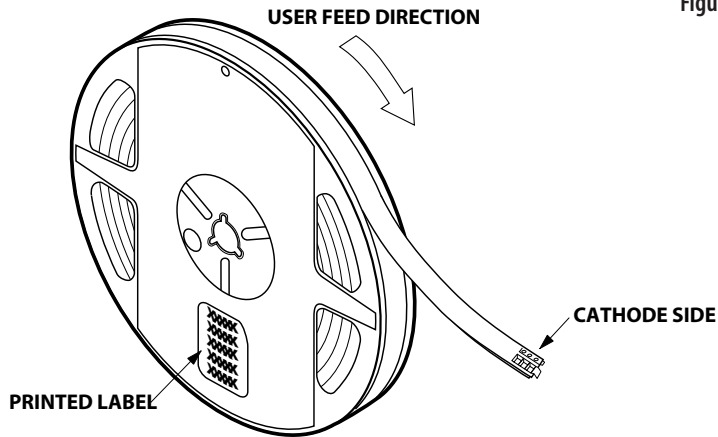
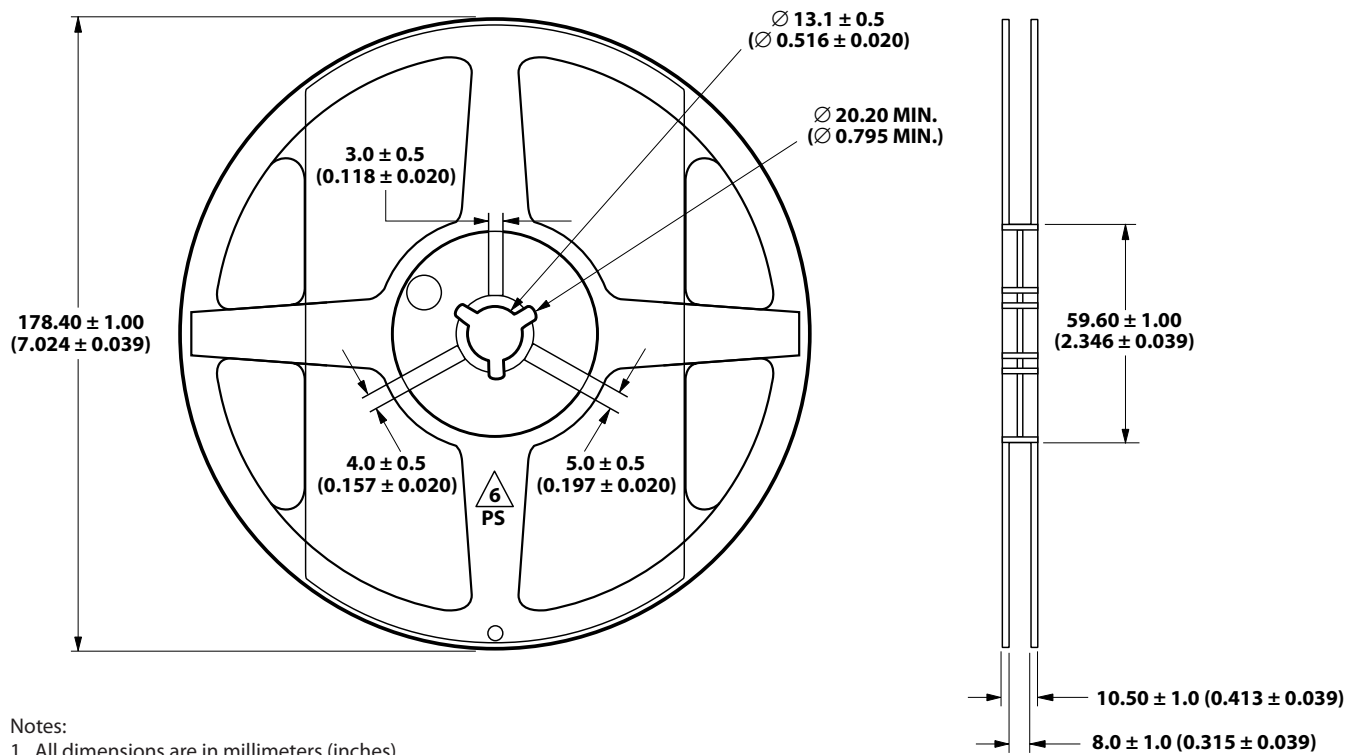


Figure 9. Reeling orientation.



Notes:

1. All dimensions are in millimeters (inches).
2. Tolerance is $\pm 0.1\text{mm}$ ($\pm 0.004\text{in.}$) unless otherwise specified.

Figure 10. Reel dimensions.

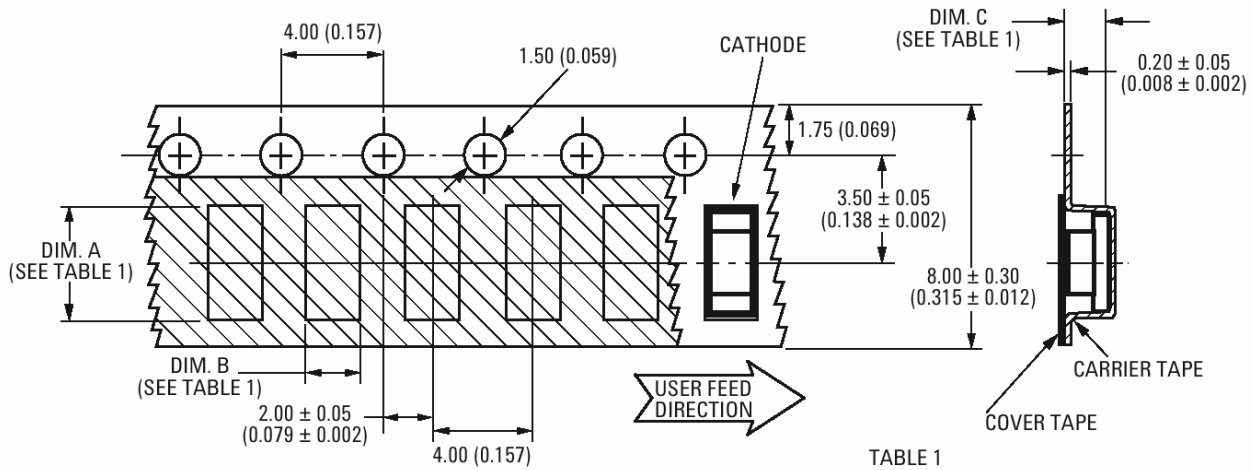


TABLE 1
DIMENSIONS IN MILLIMETERS (INCHES)

PART NUMBER	DIM. A	DIM. B	DIM. C
HSMW-CL25	1.75 (0.069) ± 0.10 (0.004)	0.88 (0.035) ± 0.10 (0.004)	0.40 (0.016) ± 0.10 (0.004)

Figure 11. Tape Dimensions

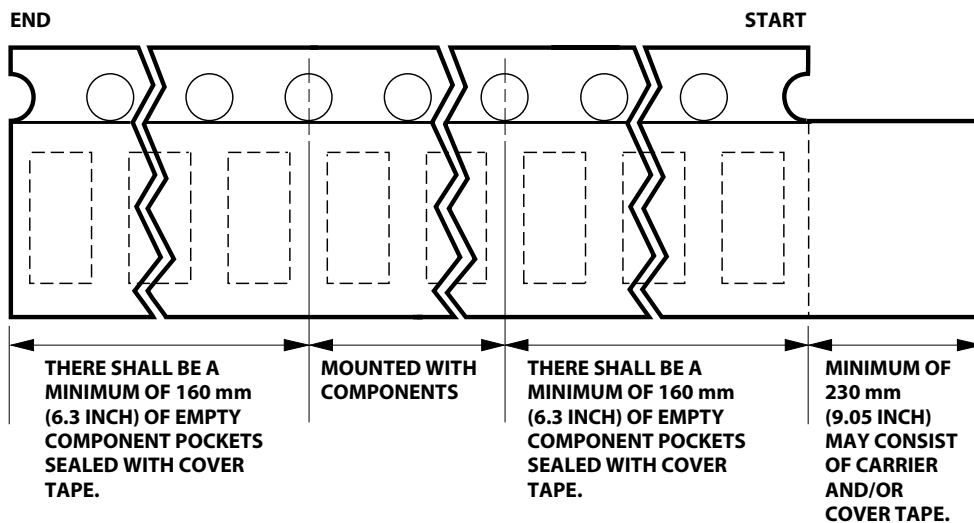


Figure 12. Tape leader and trailer dimensions.

Reflow Soldering:

For more information on reflow soldering, refer to Application Note AN-1060, Surface Mounting SMT LED Indicator Components.

Storage Condition: 5 to 30°C @ 60%RH max.

Baking is required before mounting, if:

1. Humidity Indicator Card is > 10% when read at 23 ± 5°C.
2. Device expose to factory conditions <30°C/60%RH more than 168 hours.

Recommended baking condition: 60±5°C for 20 hours.

For product information and a complete list of distributors, please go to our web site: www.avagotech.com

Avago, Avago Technologies, and the A logo are trademarks of Avago Technologies, Limited in the United States and other countries. Data subject to change. Copyright © 2006 Avago Technologies Limited. All rights reserved.. Obsoletes AV01-0508EN AV01-0703EN - December 28, 2006

AVAGO
TECHNOLOGIES